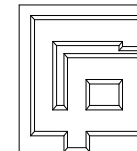
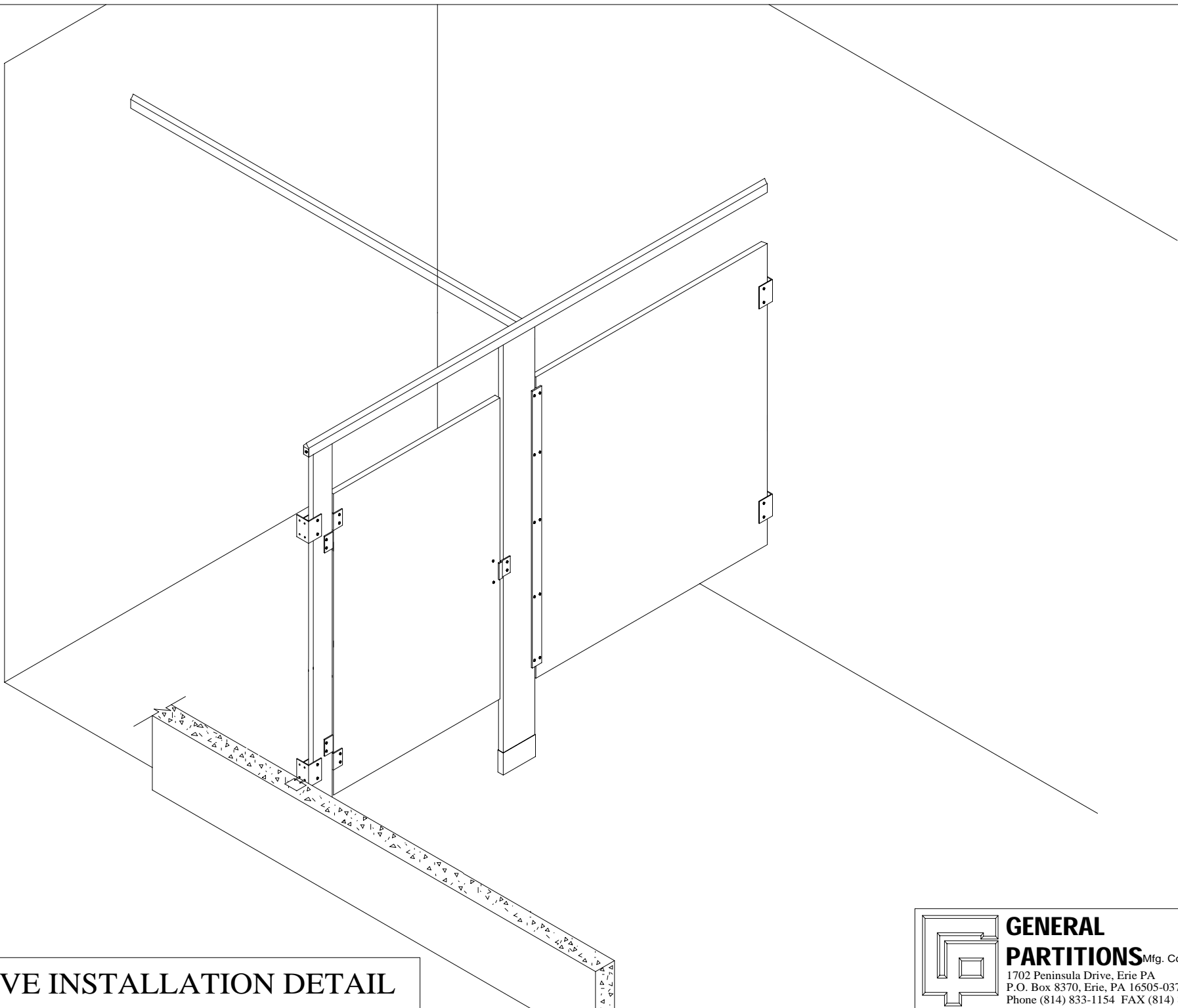


FRP

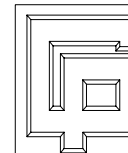
**STANDARD STALL
INSTALLATION DETAIL**



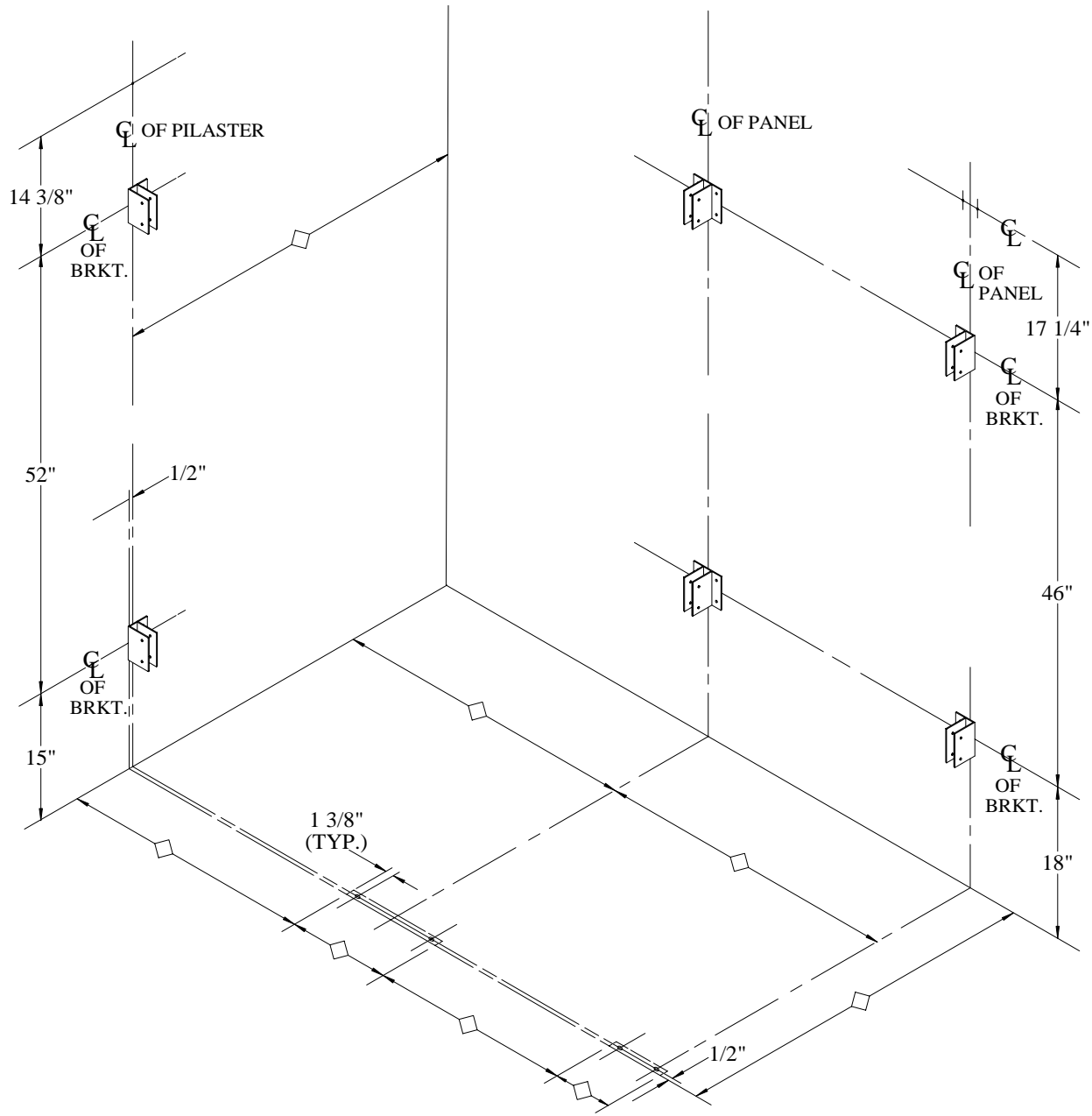
**GENERAL
PARTITIONS** Mfg. Corp.
1702 Peninsula Drive, Erie PA
P.O. Box 8370, Erie, PA 16505-0370
Phone (814) 833-1154 FAX (814) 838-3473



ALCOVE INSTALLATION DETAIL



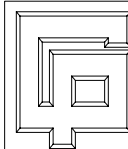
GENERAL PARTITIONS Mfg. Corp.
1702 Peninsula Drive, Erie PA
P.O. Box 8370, Erie, PA 16505-0370
Phone (814) 833-1154 FAX (814) 838-3473



LEGEND

—◇— Obtain From Job Prints.

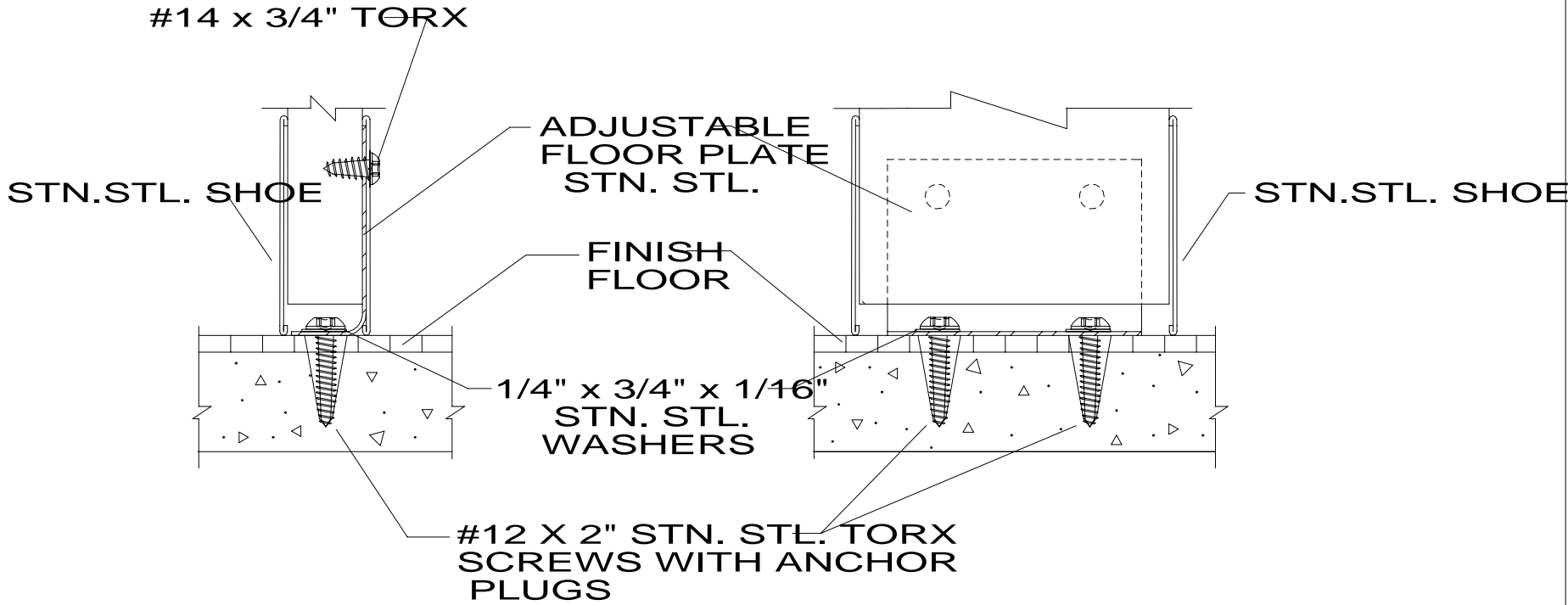
LAYOUT AND MOUNTING BRACKETS DETAIL



GENERAL PARTITIONS Mfg. Corp.
 1702 Peninsula Drive, Erie PA
 P.O. Box 8370, Erie, PA 16505-0370
 Phone (814) 833-1154 FAX (814) 838-3473

**DIMENSIONS FOR DRILLING
FLOOR FASTENERS**

PILASTER SIZE	NO. OF HOLES	PIL. EDGE TO ϕ OF DRILL	ϕ TO ϕ OF DRILL HOLES
2"	1	1"	—
3"	1	1 1/2"	—
4"	2	1 3/8"	1 1/4"
5"	2	1 3/8"	2 1/4"
6"	2	1 3/8"	3 1/4"
8"	2	1 3/8"	5 1/4"
10"	2	1 3/8"	7 1/4"
12"	2	1 3/8"	9 1/4"
14"	2	1 3/8"	11 1/4"
18"	2	1 3/8"	15 1/4"
24"	2	1 3/8"	21 1/4"

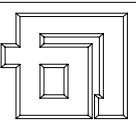
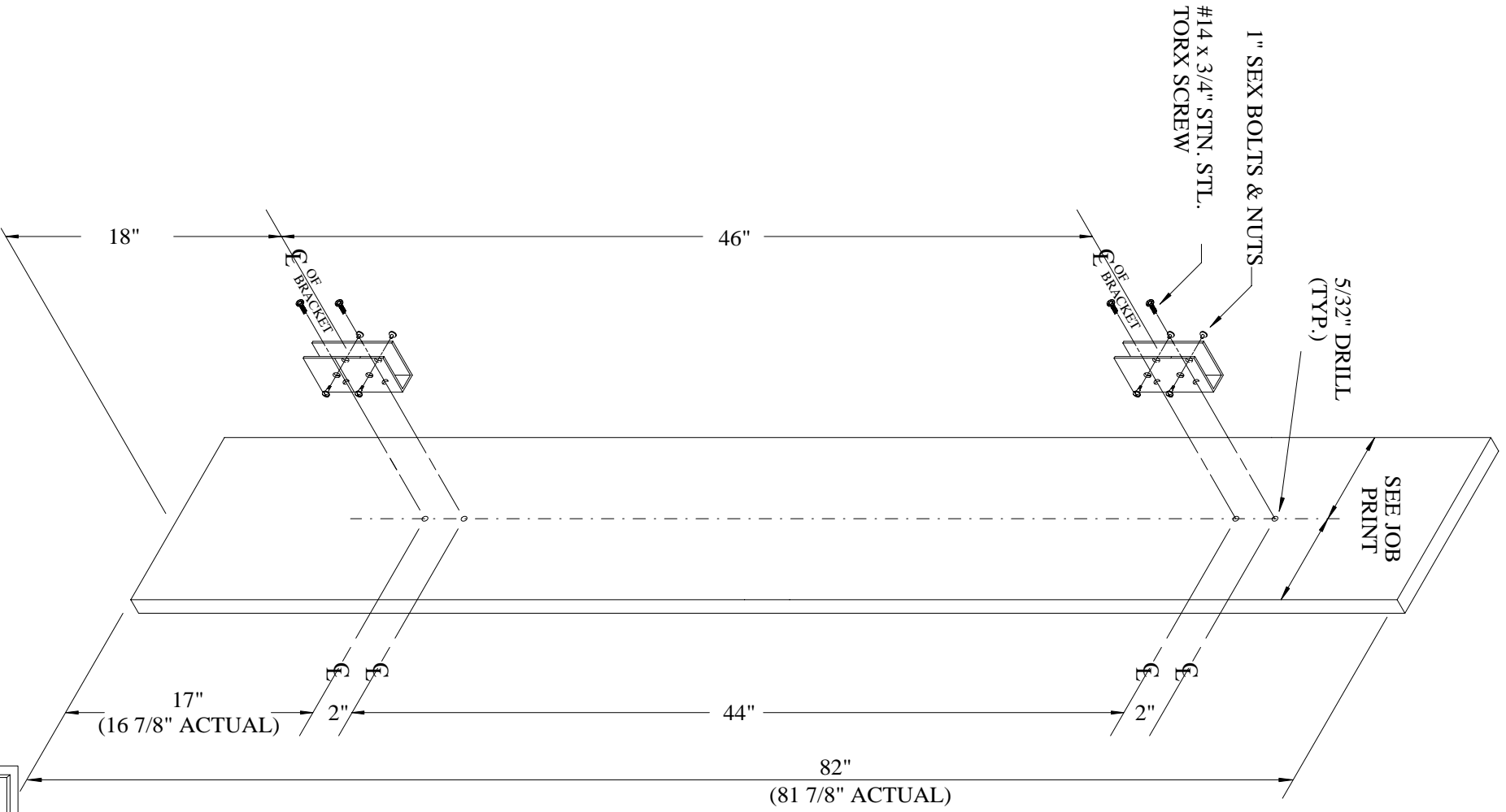


FLOOR CONNECTION DETAIL

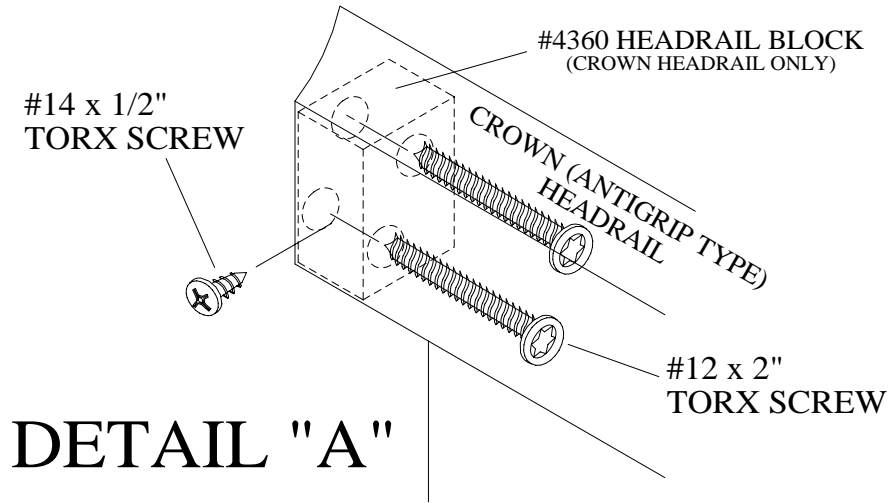


GENERAL PARTITIONS Mfg. Corp.
 1702 Peninsula Drive, Erie PA
 P.O. Box 8370, Erie, PA 16505-0370
 Phone (814) 833-1154 FAX (814) 838-3473

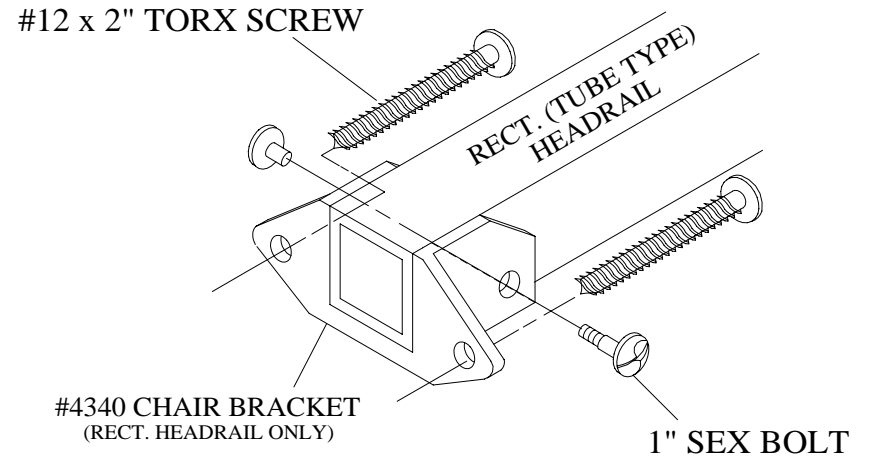
**PANEL TO PILASTER
ATTACHMENT DETAIL**



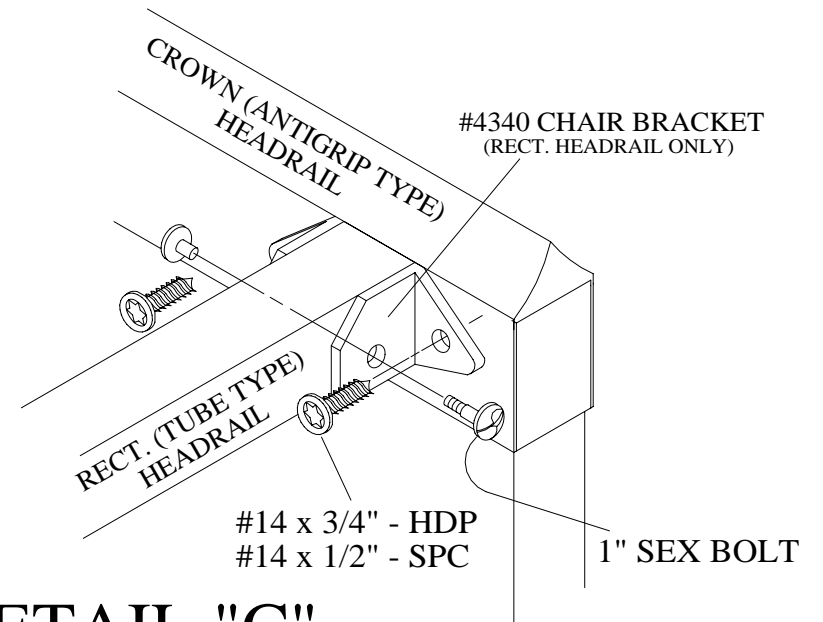
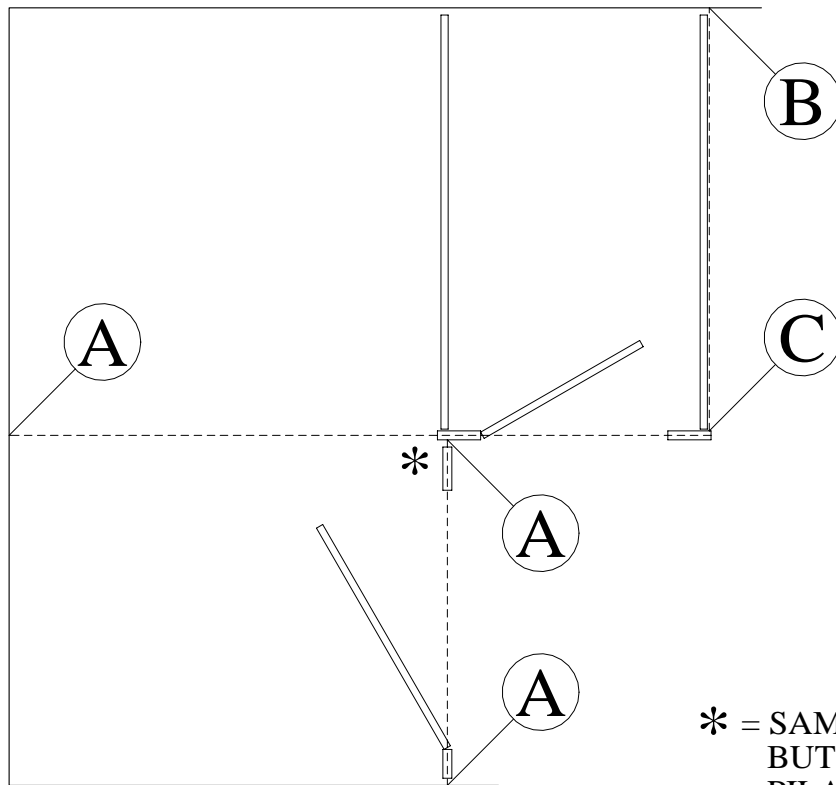
GENERAL PARTITIONS Mfg. Corp.
 1702 Peninsula Drive, Erle PA
 P.O. Box 8370, Erle, PA 16505-0370
 Phone (814) 833-1154 FAX (814) 838-3473



DETAIL "A"

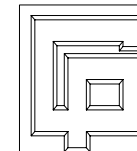


DETAIL "B"

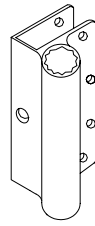


DETAIL "C"

* = SAME CONNECTION AS DETAIL "A"
BUT USE #14 x 1" SCREWS INTO
PILASTER



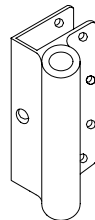
GENERAL PARTITIONS Mfg. Corp.
1702 Peninsula Drive, Erie PA
P.O. Box 8370, Erie, PA 16505-0370
Phone (814) 833-1154 FAX (814) 838-3473



4"

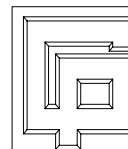
DOOR

SECURE BOTTOM DOOR
HINGE AFTER DOOR IS
HUNG ON PILASTER.

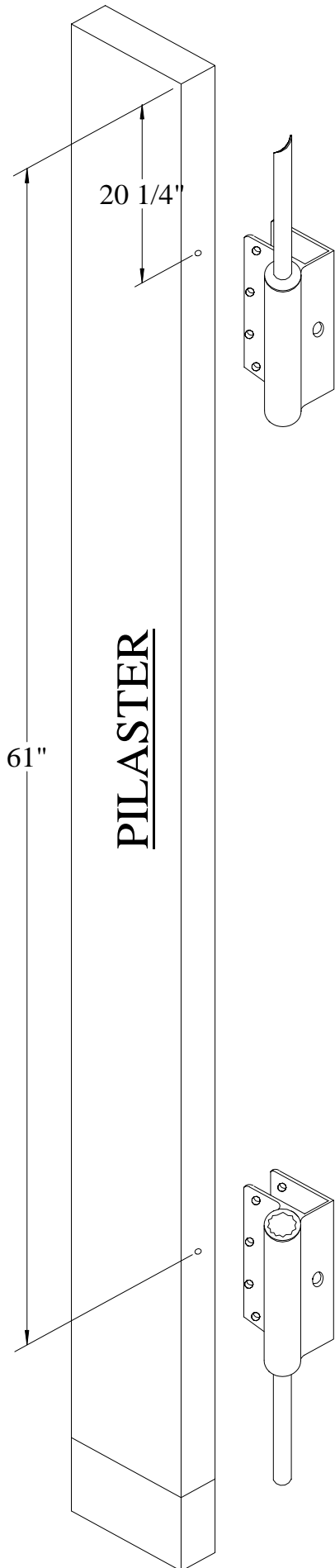


4"

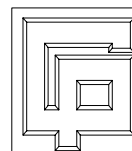
DOOR DRILLING TEMPLATE DETAIL



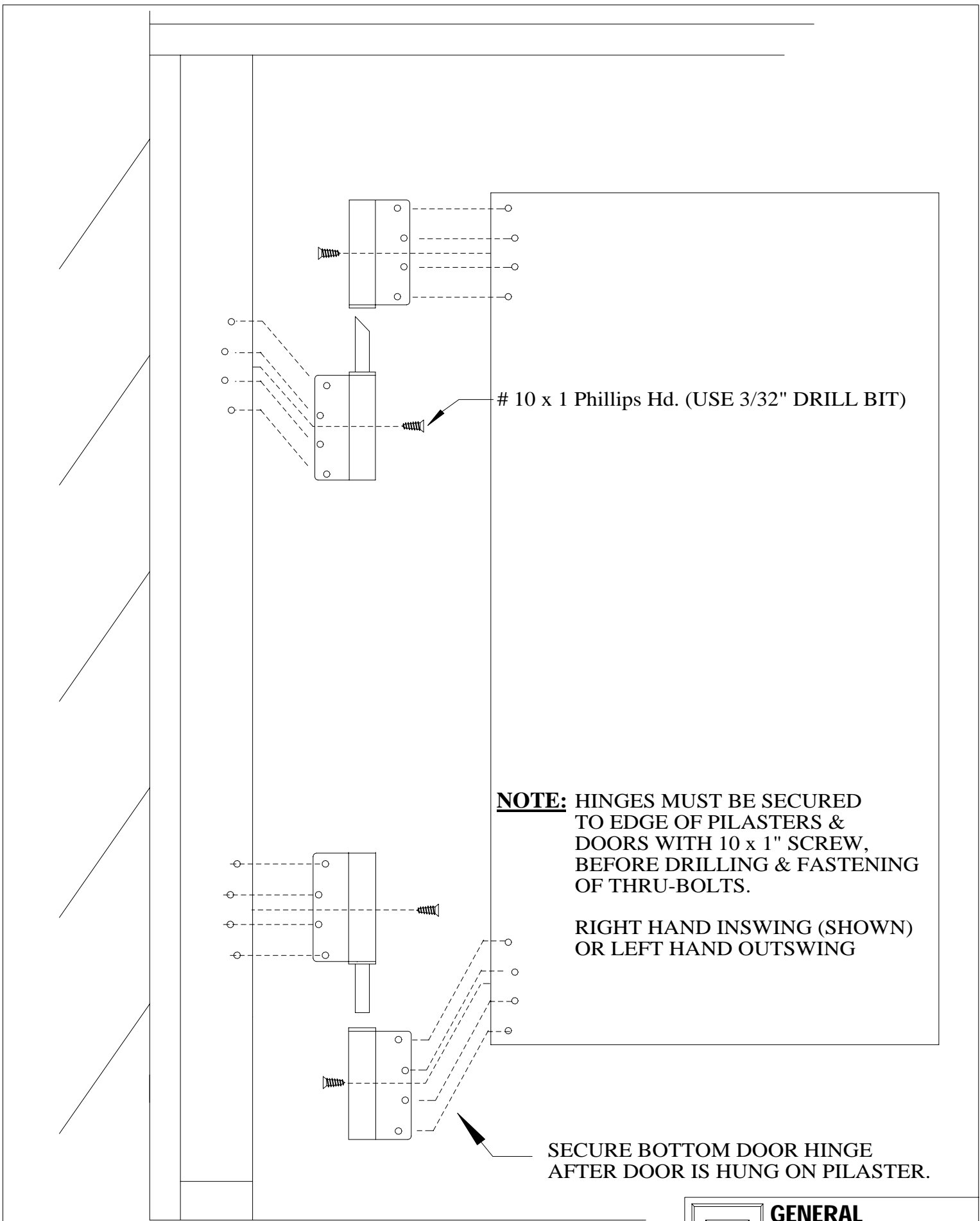
GENERAL PARTITIONS Mfg. Corp.
1702 Peninsula Drive, Erie PA
P.O. Box 8370, Erie, PA 16505-0370
Phone (814) 833-1154 FAX (814) 838-3473



PILASTER DRILLING TEMPLATE DETAIL



GENERAL PARTITIONS Mfg. Corp.
1702 Peninsula Drive, Erie PA
P.O. Box 8370, Erie, PA 16505-0370
Phone (814) 833-1154 FAX (814) 838-3473



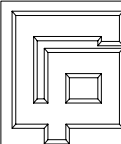
10 x 1 Phillips Hd. (USE 3/32" DRILL BIT)

NOTE: HINGES MUST BE SECURED TO EDGE OF PILASTERS & DOORS WITH 10 x 1" SCREW, BEFORE DRILLING & FASTENING OF THRU-BOLTS.

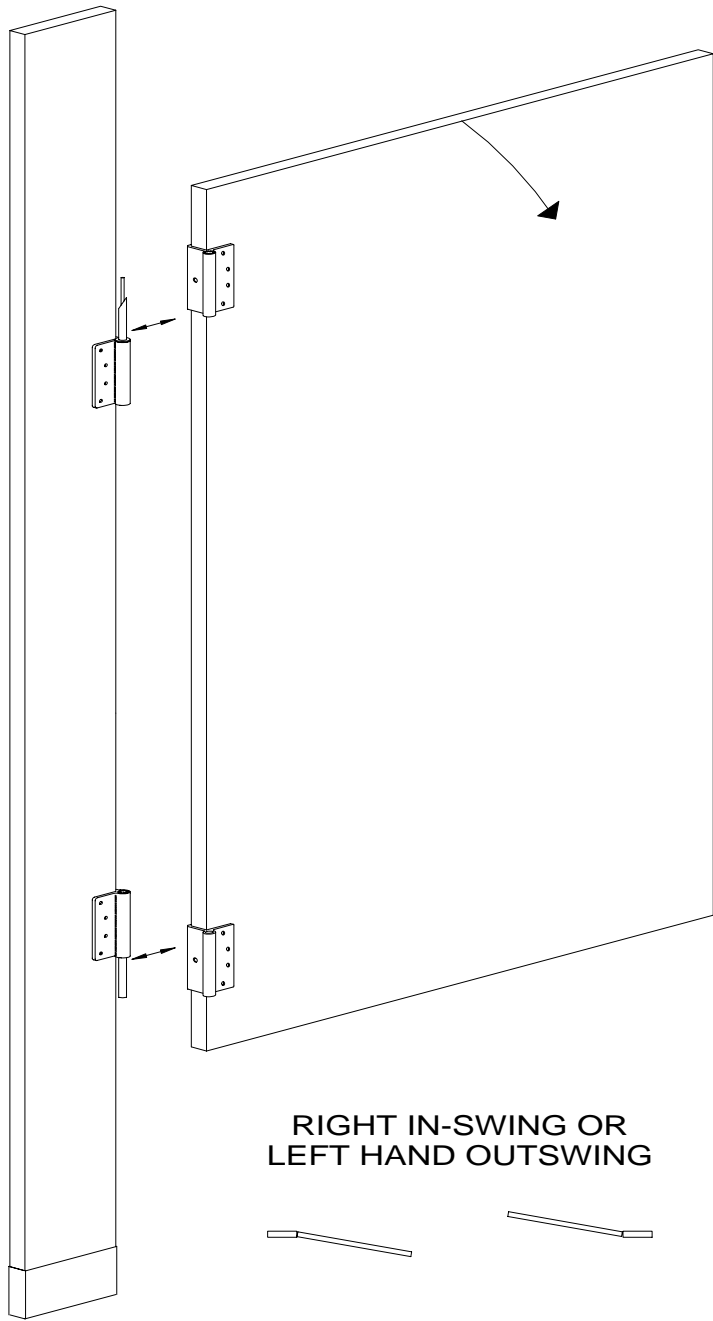
RIGHT HAND INSWING (SHOWN) OR LEFT HAND OUTSWING

SECURE BOTTOM DOOR HINGE AFTER DOOR IS HUNG ON PILASTER.

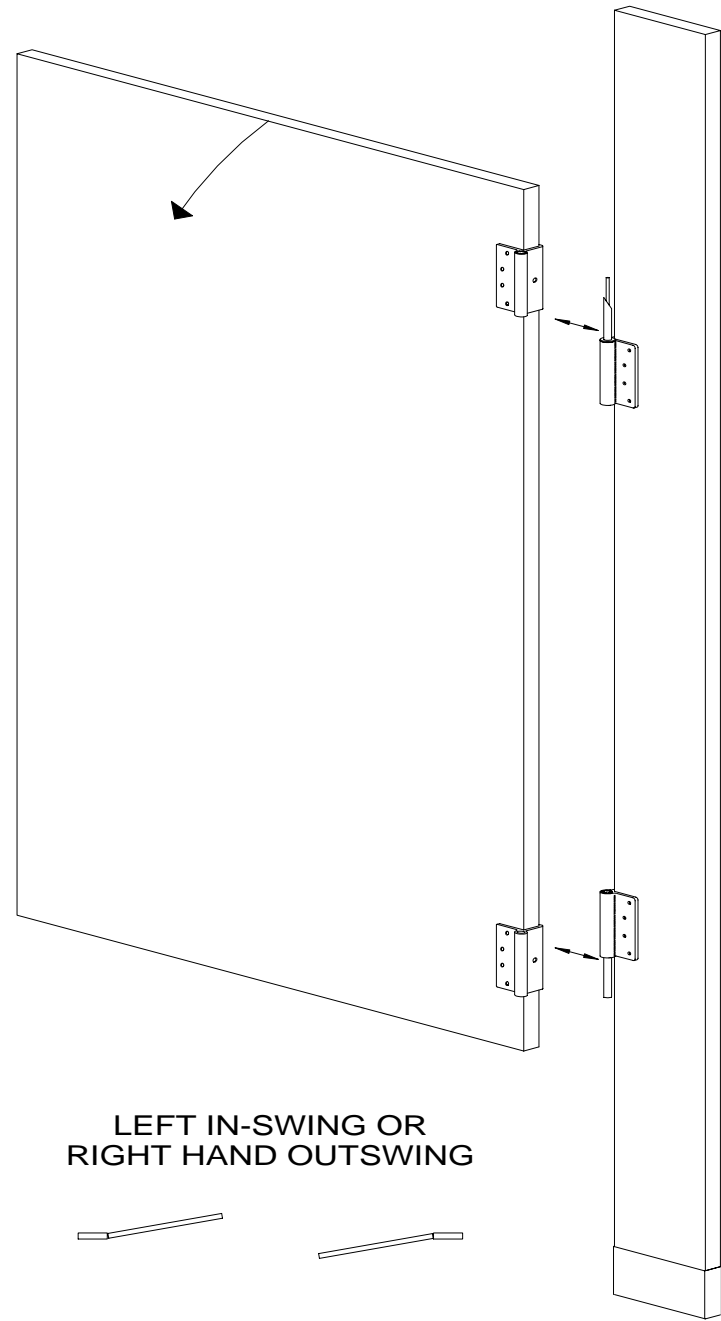
FRP "WRAP AROUND"HINGE INSTALLATION DETAIL



GENERAL PARTITIONS Mfg. Corp.
 1702 Peninsula Drive, Erie PA
 P.O. Box 8370, Erie, PA 16505-0370
 Phone (814) 833-1154 FAX (814) 838-3473



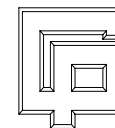
RIGHT IN-SWING OR
LEFT HAND OUTSWING



LEFT IN-SWING OR
RIGHT HAND OUTSWING

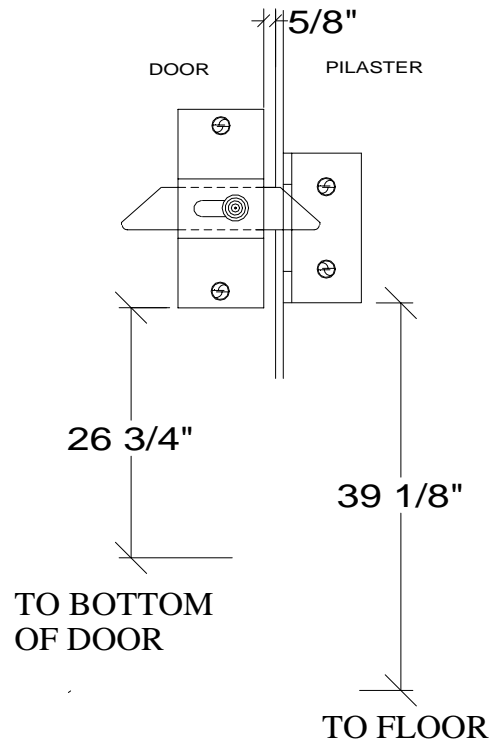


Drawn by: SPS
1500AL HINGE
1520AL HINGE (SPC)

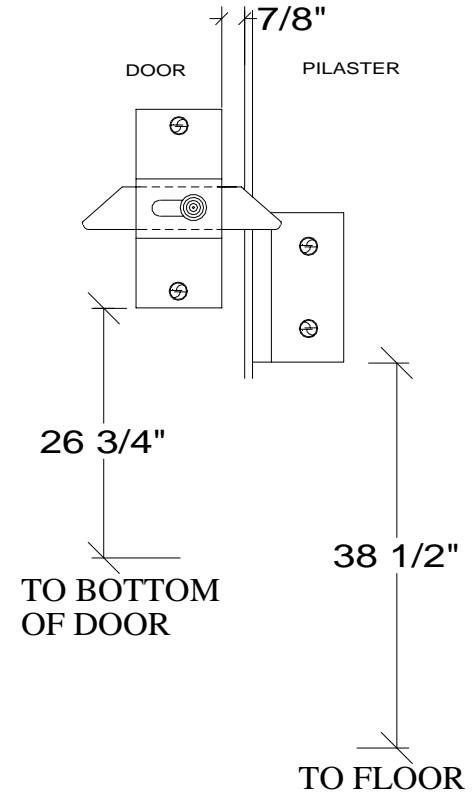


GENERAL PARTITIONS Mfg. Corp.

1702 Peninsula Drive, Erie PA
P.O. Box 8370, Erie, PA 16505-0370
Phone (814) 833-1154 FAX (814) 838-3473

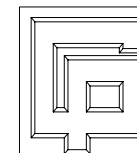


INSWING DOORS



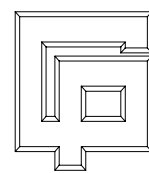
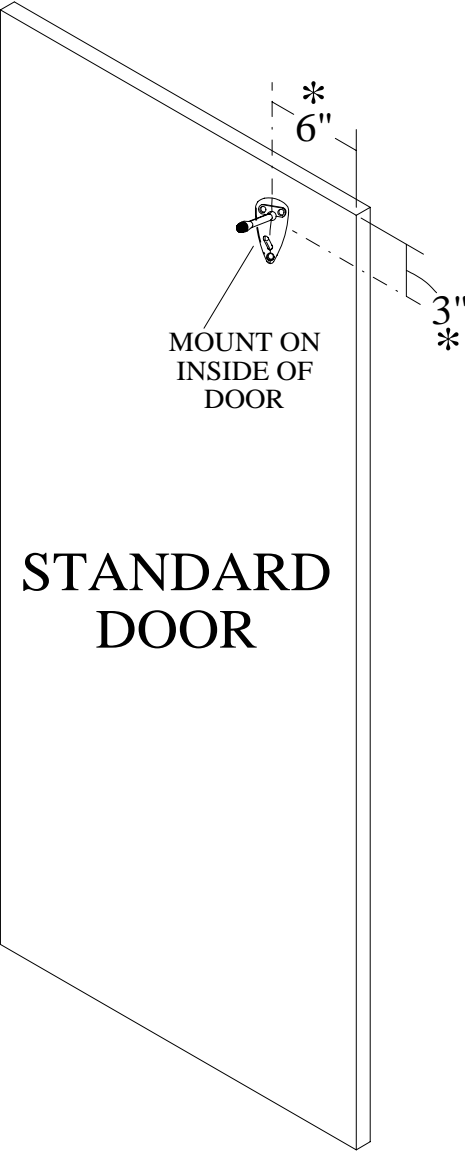
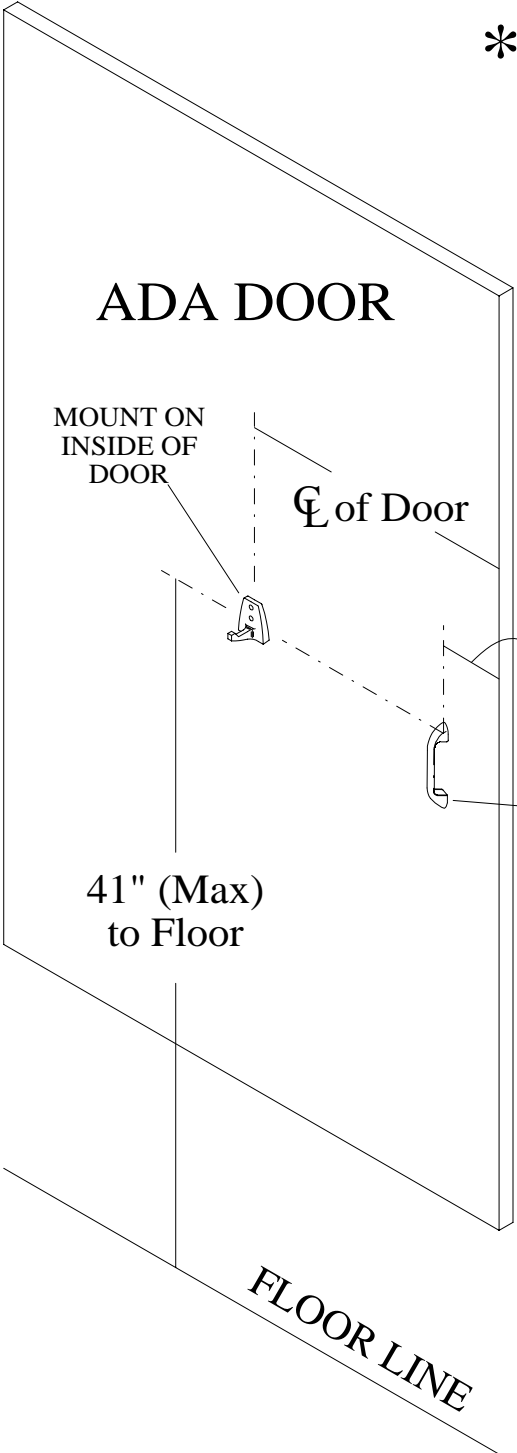
OUTSWING DOORS

SLIDE LATCH & KEEPER
MOUNTING LOCATIONS

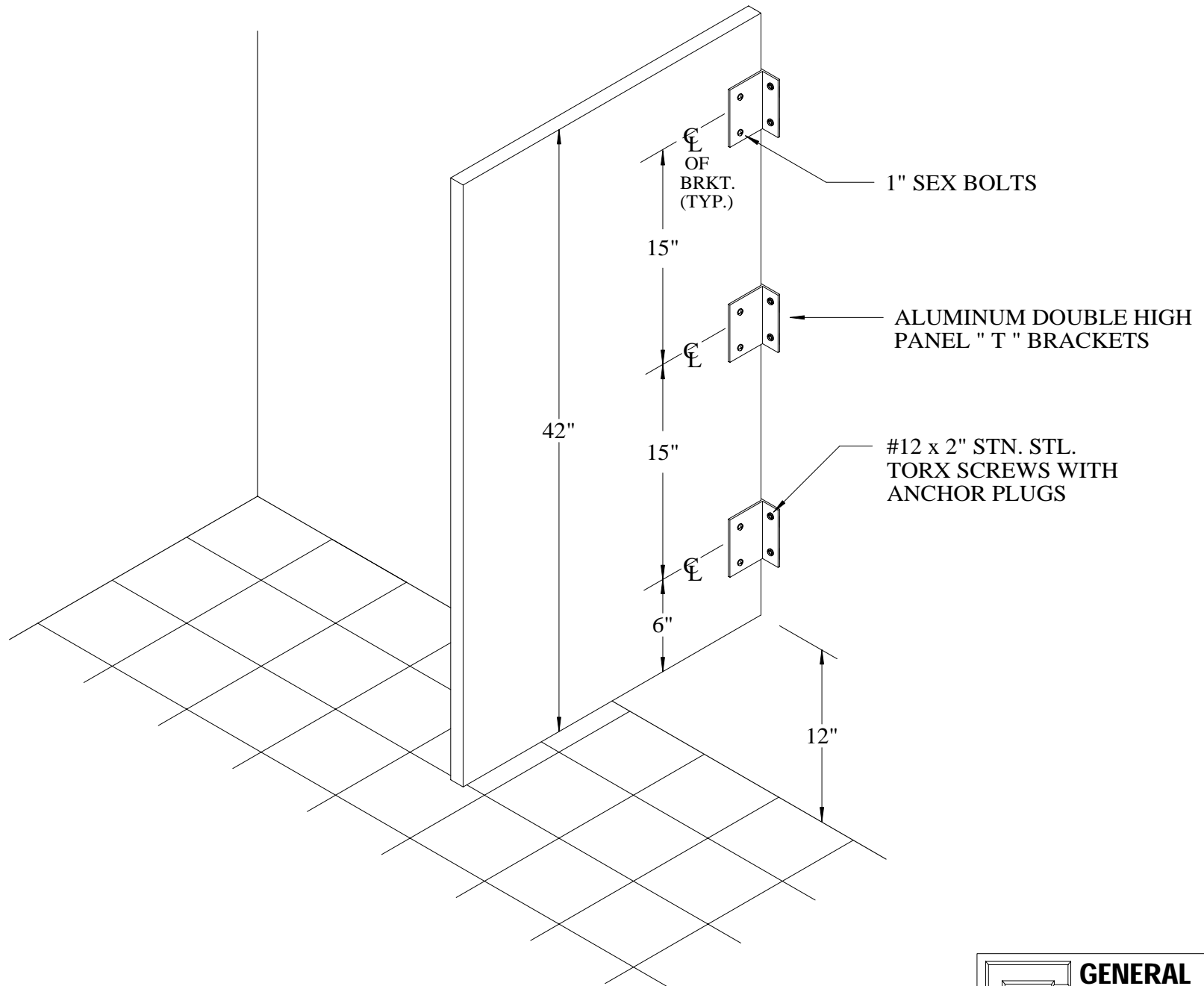


GENERAL PARTITIONS Mfg. Corp.
1702 Peninsula Drive, Erie PA
P.O. Box 8370, Erie, PA 16505-0370
Phone (814) 833-1154 FAX (814) 838-3473

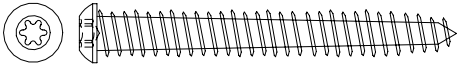
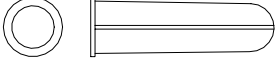
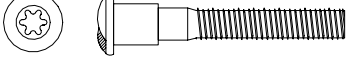






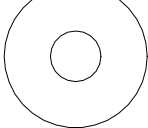
* = DIMENSION CAN VARY TO SUIT JOB CONDITION



GENERAL PARTITIONS Mfg. Corp.
1702 Peninsula Drive, Erie PA
P.O. Box 8370, Erie, PA 16505-0370
Phone (814) 833-1154 FAX (814) 838-3473



WHS-7 URINAL SCREEN DETAIL

	<p>2" STAINLESS STEEL TORX HEAD #12 SCREW- used for bracket-to-wall attachment, pilaster to floor attachment and headrail bracket-to-wall attachment. Drill 1/4" hole.</p>
	<p>PLASTIC ANCHOR- used in conjunction with the 2" x #12 screws.</p>
	<p>1 3/8" STAINLESS STEEL TORX #10 MALE MACHINE BOLT- used for attachment of door pull and slide latch on outswing doors only. Drill 1/4" hole.</p>
	<p>3/4" STAINLESS STEEL TORX HEAD #14 SCREW- used for "U" brackets on back of pilasters , back of headrail at top of pilaster and pilaster shoe-to pilaster. Drill 5/32" hole.</p>
	<p>1" STAINLESS STEEL #10 HINGE SCREW- used for securing the hinges to the edges of the pilasters. Drill 3/32" hole.</p>
	<p>1" STAINLESS STEEL TORX #10 THRU-BOLT- used for bracket-to-panel, bracket-to-pilaster, headrail-to-chair bracket and the following door hardware: hinges, latches, strikes and keepers. Drill 1/4" hole.</p>
	<p>5/8" STAINLESS STEEL #10 ONE-WAY SCREW- used for attaching the coat hook and for attachment of the wall stop on outswing doors. Drill 3/32" hole.</p>
	<p>1/2" STAINLESS STEEL TORX HEAD#14 SCREW- used for attachment of anti-grip headrail to headrail block. Drill 5/32" hole.</p>
	<p>#14 x 1" SCREW- used for attachment of headrail block to pilaster at alcove connection. Drill 5/32" hole.</p>
	<p>1/4" x 3/4" x 1/16" STAINLESS STEEL WASHER- used for attachment of floor plate.</p>