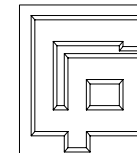
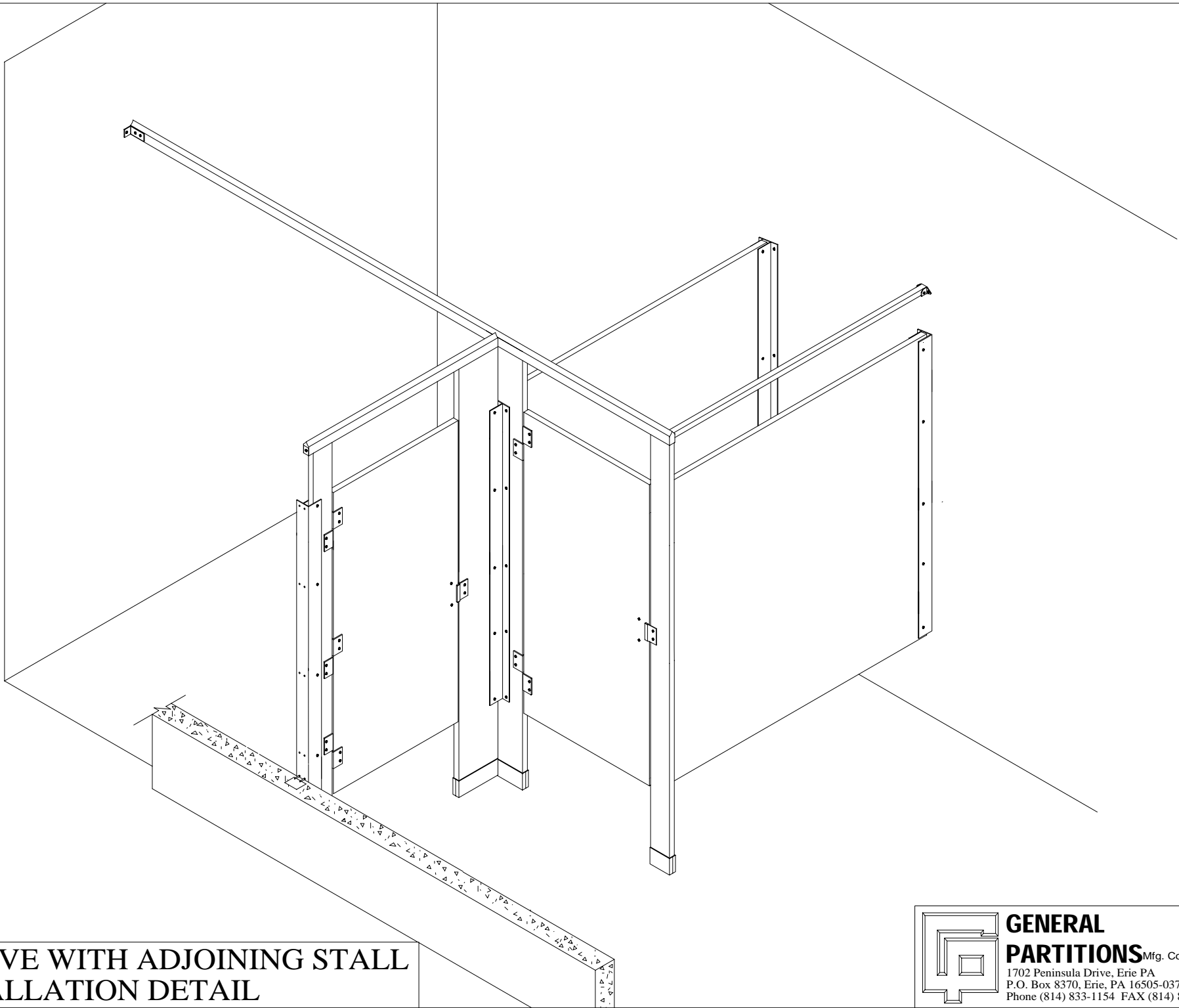


\* NOTE:  
ALUMINUM HEAT SINK STRIP TO BE MOUNTED  
AT BOTTOM OF PANELS & DOORS.

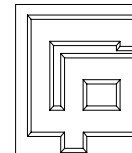
STANDARD STALL  
INSTALLATION DETAIL



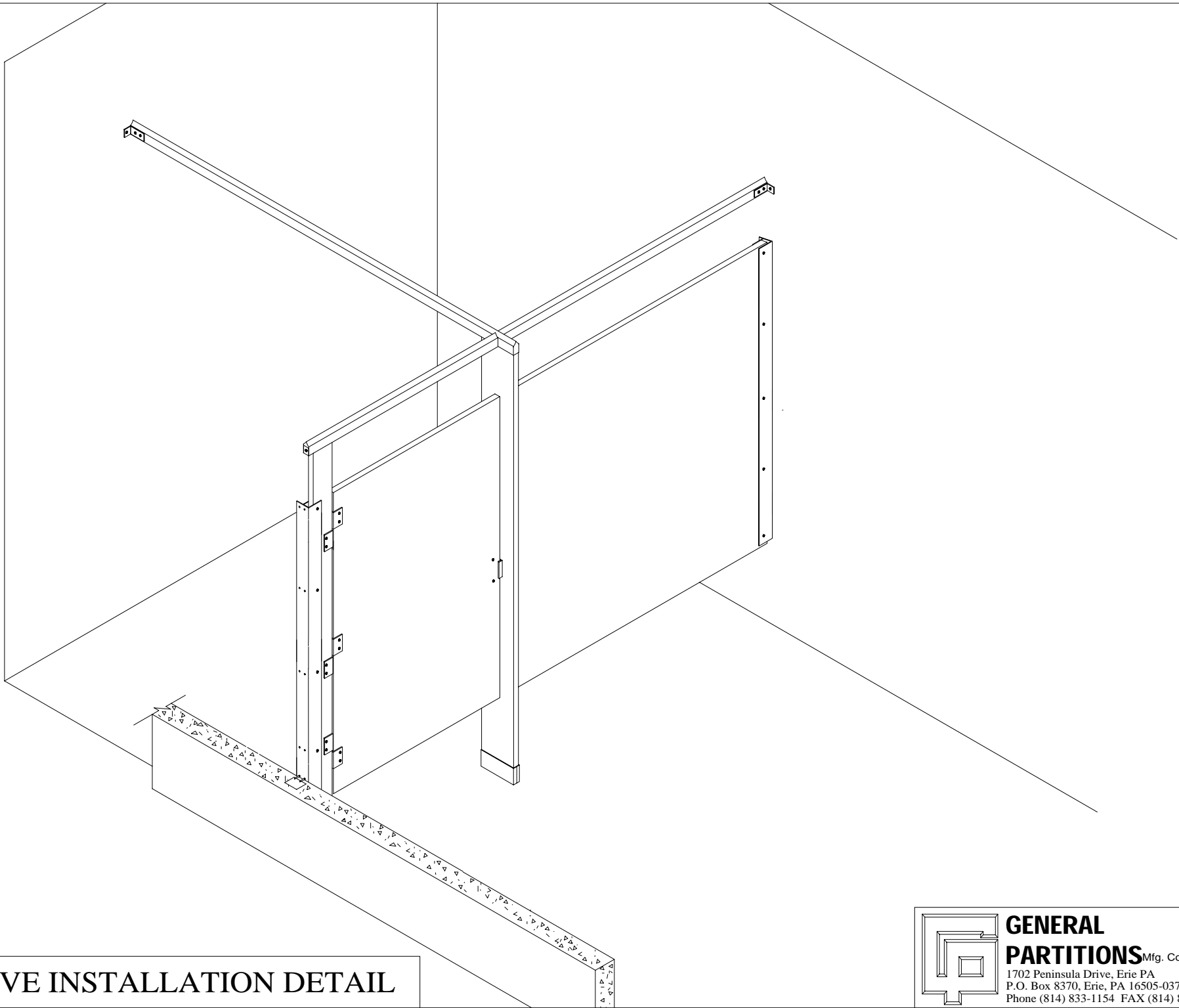
**GENERAL  
PARTITIONS** Mfg. Corp.  
1702 Peninsula Drive, Erie PA  
P.O. Box 8370, Erie, PA 16505-0370  
Phone (814) 833-1154 FAX (814) 838-3473



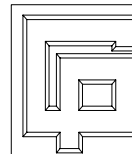
ALCOVE WITH ADJOINING STALL  
INSTALLATION DETAIL



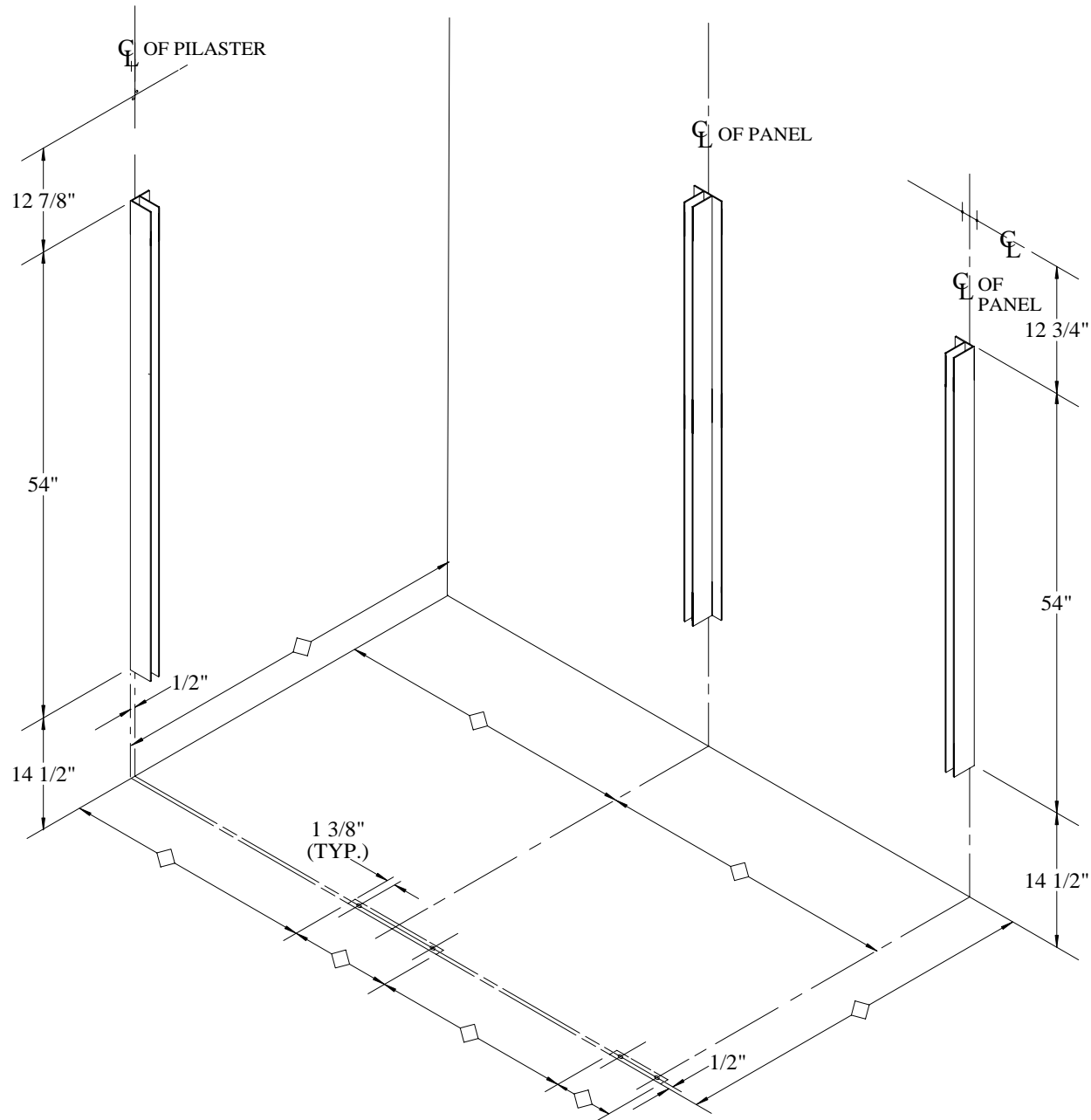
**GENERAL  
PARTITIONS** Mfg. Corp.  
1702 Peninsula Drive, Erie PA  
P.O. Box 8370, Erie, PA 16505-0370  
Phone (814) 833-1154 FAX (814) 838-3473



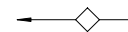
ALCOVE INSTALLATION DETAIL



**GENERAL PARTITIONS** Mfg. Corp.  
1702 Peninsula Drive, Erie PA  
P.O. Box 8370, Erie, PA 16505-0370  
Phone (814) 833-1154 FAX (814) 838-3473

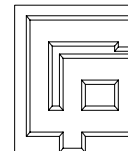


**LEGEND**

 Obtain From Job Prints.

**LAYOUT AND MOUNTING BRACKETS DETAIL**

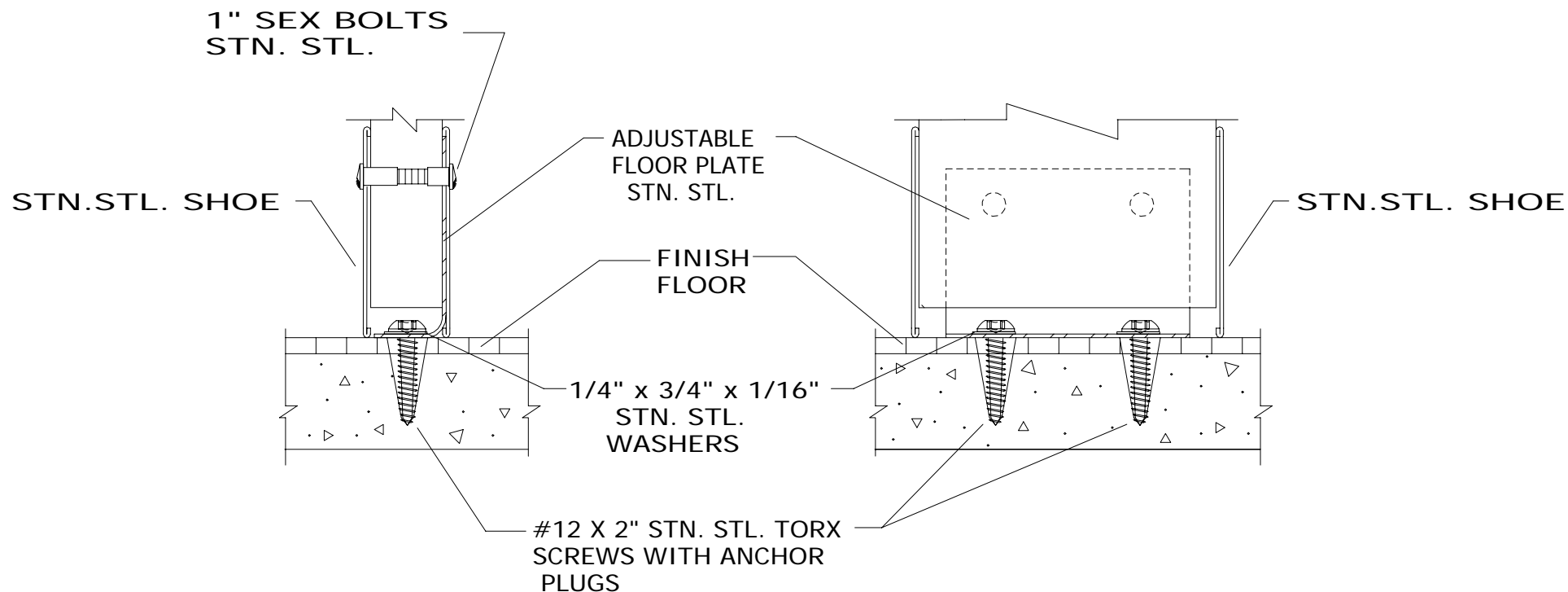
**55" HIGH DOORS & PANELS**



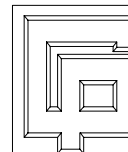
**GENERAL PARTITIONS** Mfg. Corp.  
 1702 Peninsula Drive, Erie PA  
 P.O. Box 8370, Erie, PA 16505-0370  
 Phone (814) 833-1154 FAX (814) 838-3473

**DIMENSIONS FOR DRILLING  
FLOOR FASTENERS**

PILASTER SIZE	NO. OF HOLES	PIL. EDGE TO ϕ OF DRILL	ϕ TO ϕ OF DRILL HOLES
2"	1	1"	—
3"	1	1 1/2"	—
4"	2	1 3/8"	1 1/4"
5"	2	1 3/8"	2 1/4"
6"	2	1 3/8"	3 1/4"
8"	2	1 3/8"	5 1/4"
10"	2	1 3/8"	7 1/4"
12"	2	1 3/8"	9 1/4"
14"	2	1 3/8"	11 1/4"
18"	2	1 3/8"	15 1/4"
24"	2	1 3/8"	21 1/4"

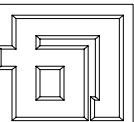


# *FLOOR CONNECTION*

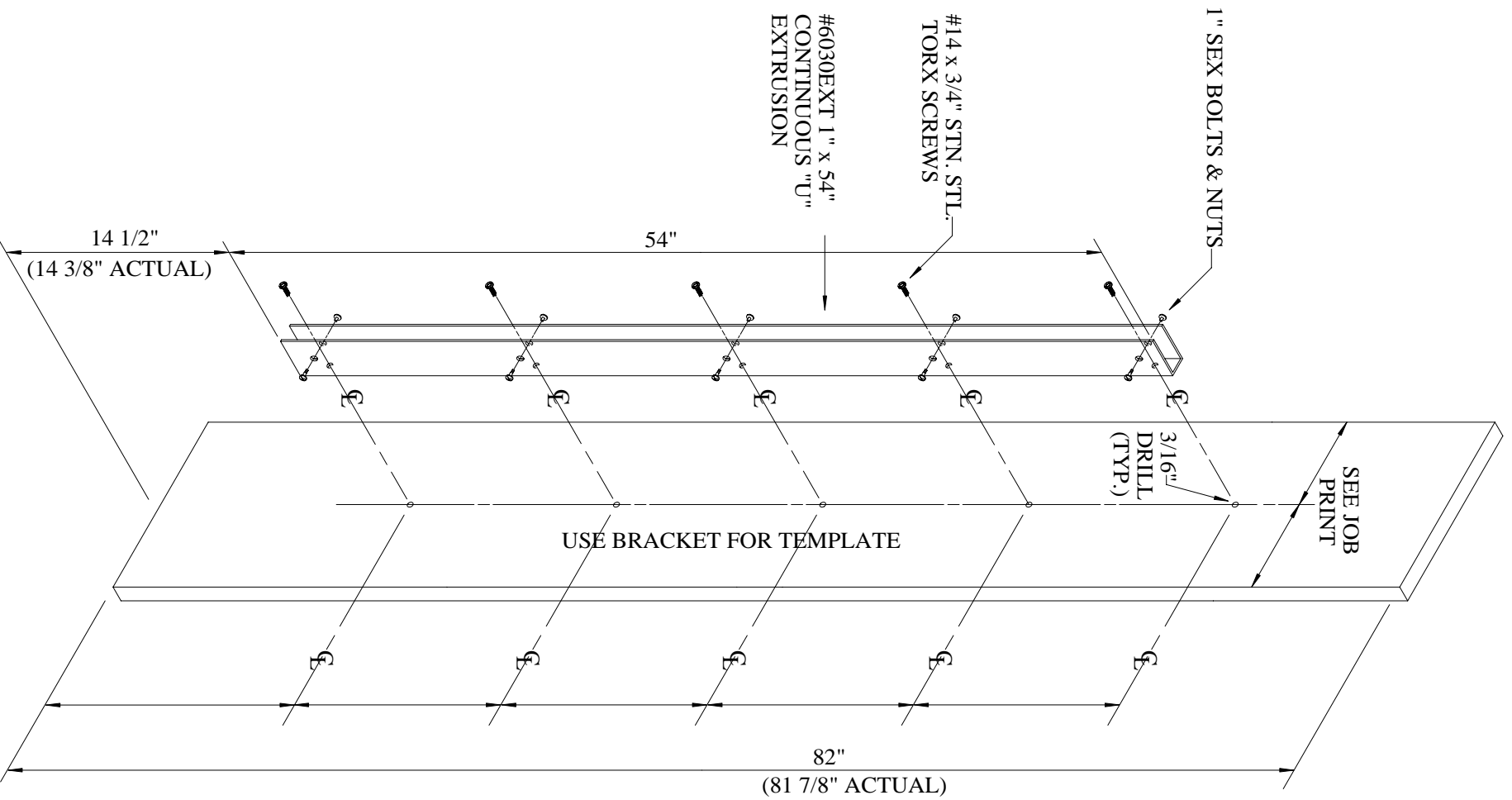


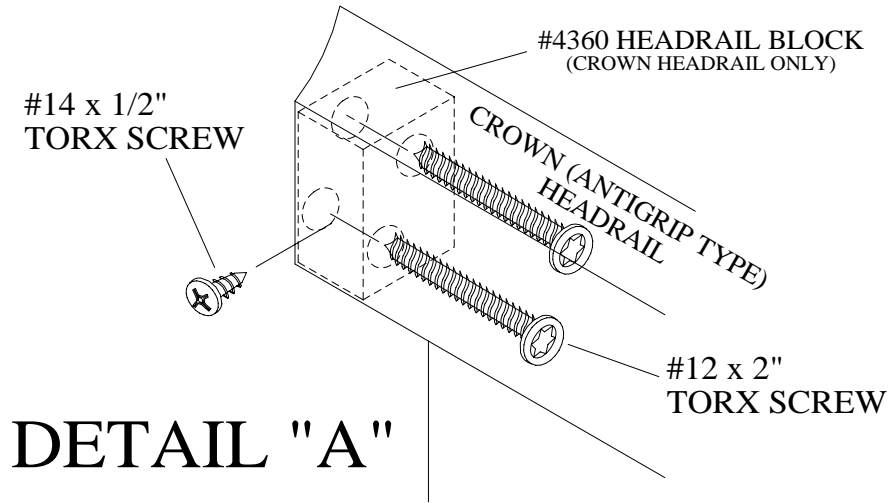
**PANEL TO PILASTER  
ATTACHMENT DETAIL**

55" HIGH PANELS & DOORS

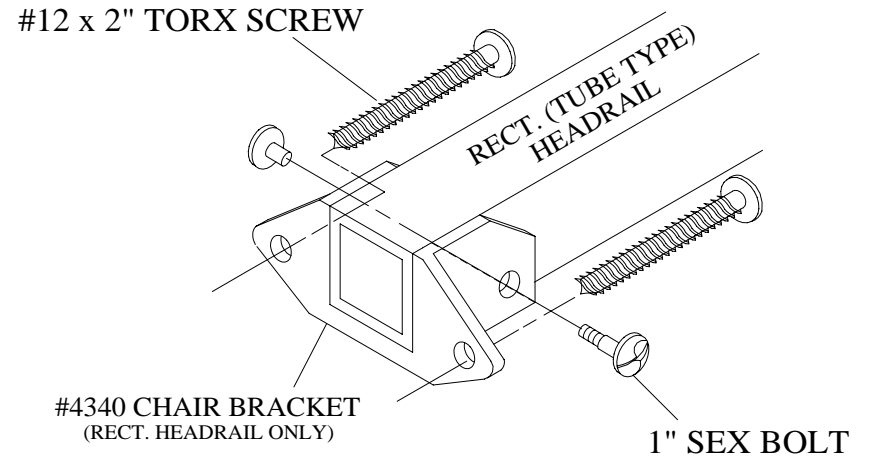


**GENERAL PARTITIONS** mfg. Corp.  
1702 Peninsula Drive, Erie PA  
P.O. Box 8370, Erie, PA 16505-0370  
Phone (814) 833-1154 FAX (814) 838-3473

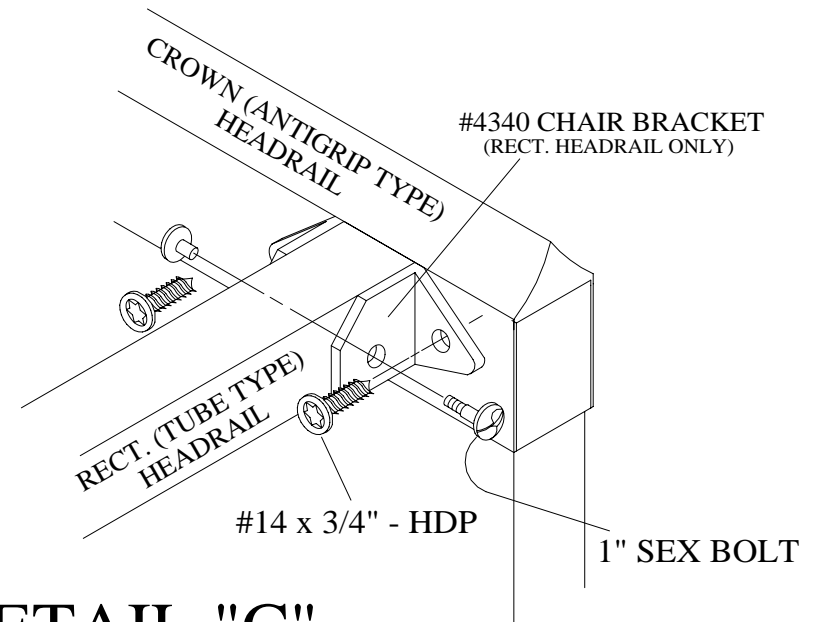
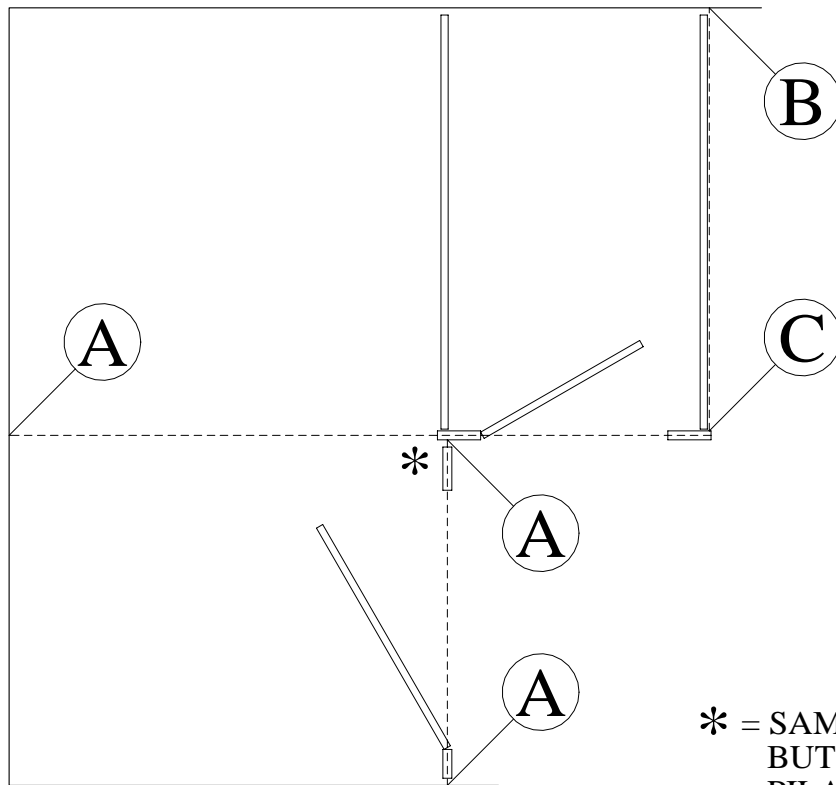




DETAIL "A"

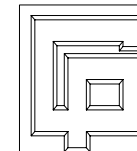


DETAIL "B"

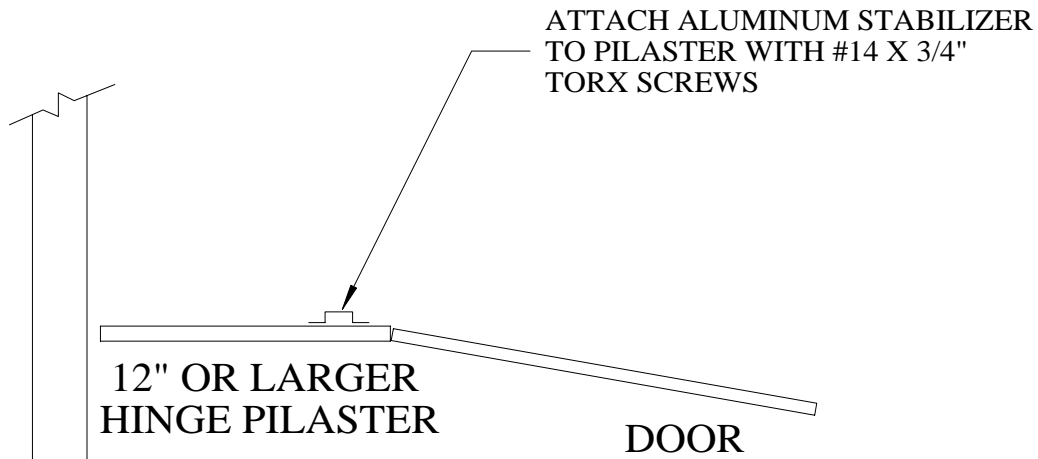
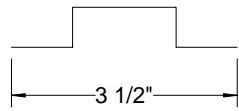


DETAIL "C"

\* = SAME CONNECTION AS DETAIL "A"  
BUT USE #14 x 1" SCREWS INTO  
PILASTER



**GENERAL PARTITIONS** Mfg. Corp.  
1702 Peninsula Drive, Erie PA  
P.O. Box 8370, Erie, PA 16505-0370  
Phone (814) 833-1154 FAX (814) 838-3473

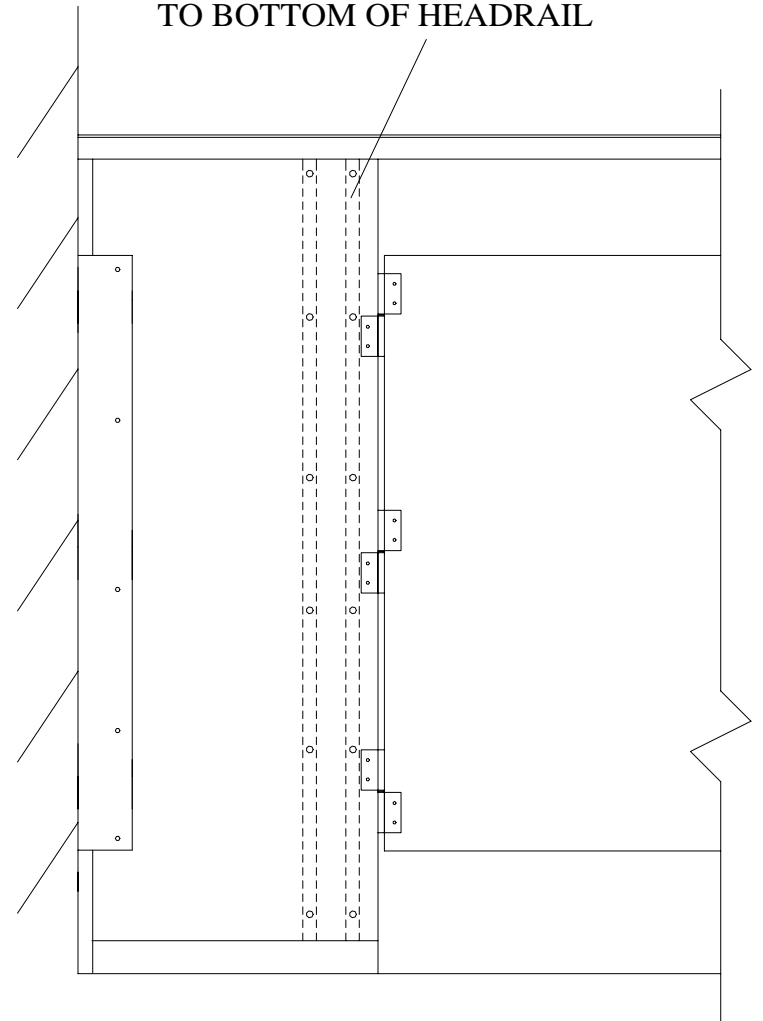


**TOP VIEW**

**INSTALLER NOTE !!!**

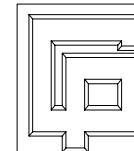
**FAILURE TO INSTALL STABILIZER  
WILL VOID WARRANTY !!**

**BRACE MOUNTS FROM TOP OF SHOE  
TO BOTTOM OF HEADRAIL**

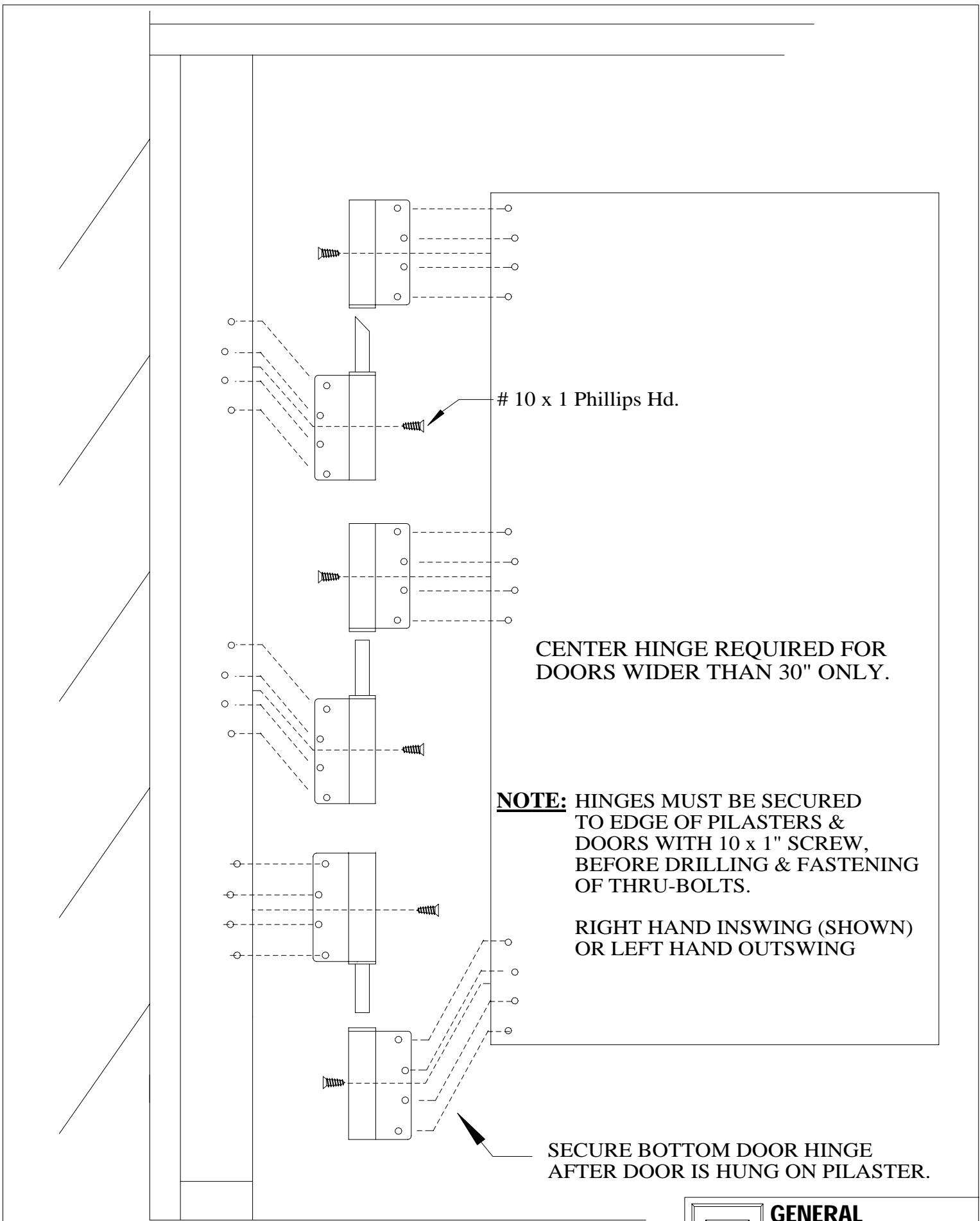


**FRONT ELEVATION**

**OVERSIZED HINGE PILASTERS  
INSTALLATION DETAIL**



**GENERAL  
PARTITIONS** Mfg. Corp.  
1702 Peninsula Drive, Erie PA  
P.O. Box 8370, Erie, PA 16505-0370  
Phone (814) 833-1154 FAX (814) 838-3473



# 10 x 1 Phillips Hd.

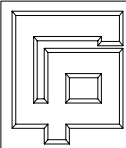
CENTER HINGE REQUIRED FOR DOORS WIDER THAN 30" ONLY.

**NOTE:** HINGES MUST BE SECURED TO EDGE OF PILASTERS & DOORS WITH 10 x 1" SCREW, BEFORE DRILLING & FASTENING OF THRU-BOLTS.

RIGHT HAND INSWING (SHOWN) OR LEFT HAND OUTSWING

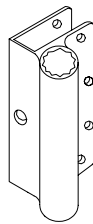
SECURE BOTTOM DOOR HINGE AFTER DOOR IS HUNG ON PILASTER.

**HINGE INSTALLATION DETAIL**

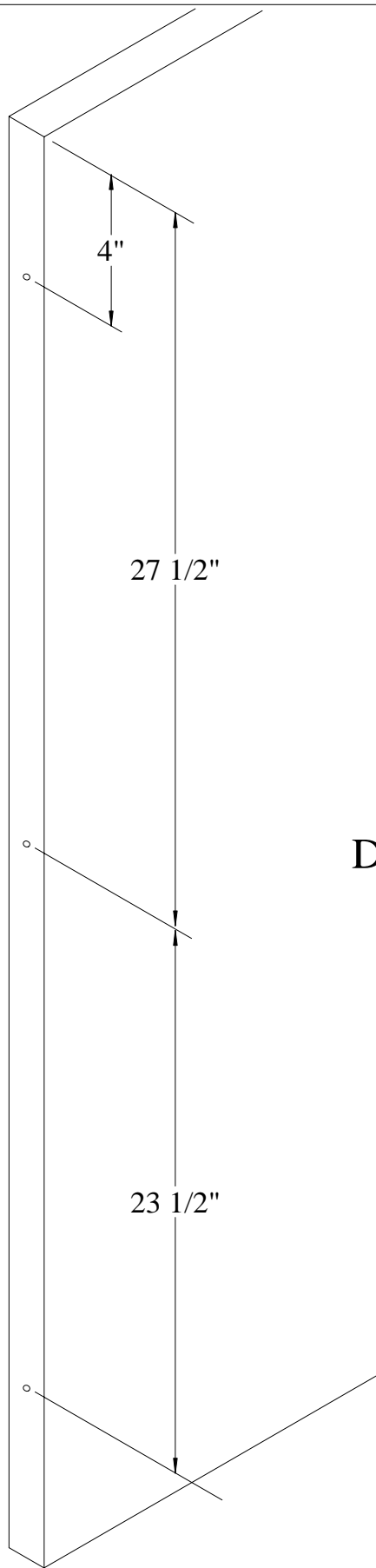
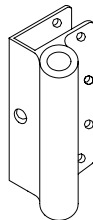


**GENERAL PARTITIONS** Mfg. Corp.  
 1702 Peninsula Drive, Erie PA  
 P.O. Box 8370, Erie, PA 16505-0370  
 Phone (814) 833-1154 FAX (814) 838-3473

CENTER HINGE REQUIRED  
FOR DOORS WIDER THAN  
30" ONLY.



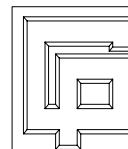
SECURE BOTTOM DOOR  
HINGE AFTER DOOR IS  
HUNG ON PILASTER.



DOOR

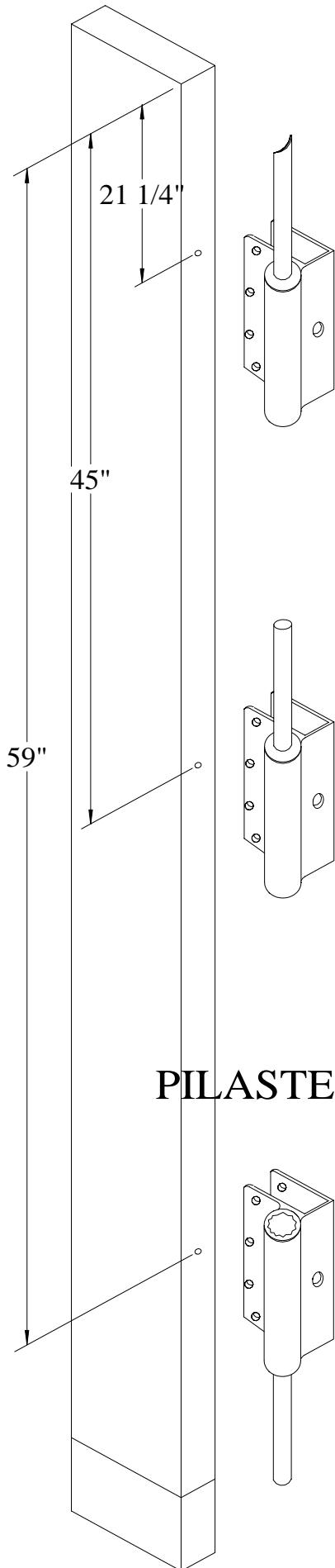
## 55" HIGH DOORS

### DOOR DRILLING TEMPLATE DETAIL



**GENERAL  
PARTITIONS** Mfg. Corp.

1702 Peninsula Drive, Erie PA  
P.O. Box 8370, Erie, PA 16505-0370  
Phone (814) 833-1154 FAX (814) 838-3473

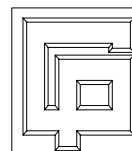


\*  
 CENTER HINGE REQUIRED FOR  
 DOORS WIDER THAN 30" ONLY.

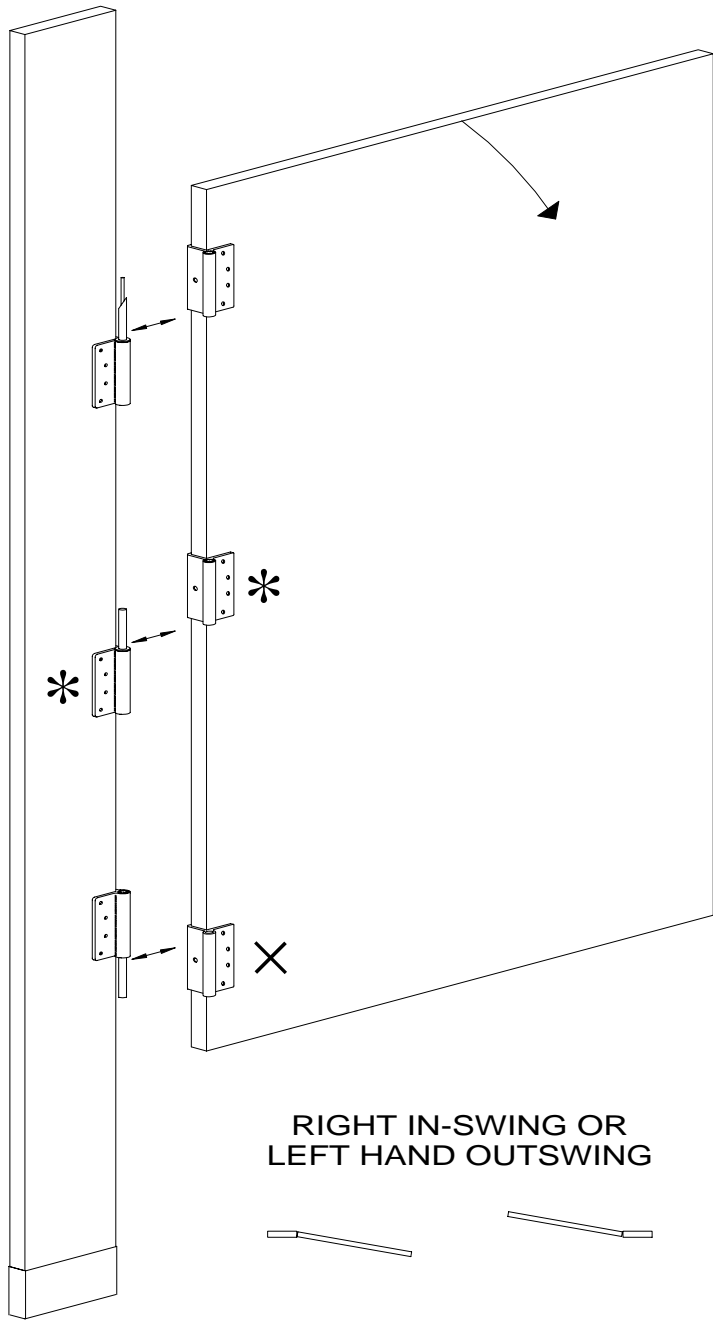
**PILASTER**

**55" HIGH DOORS**

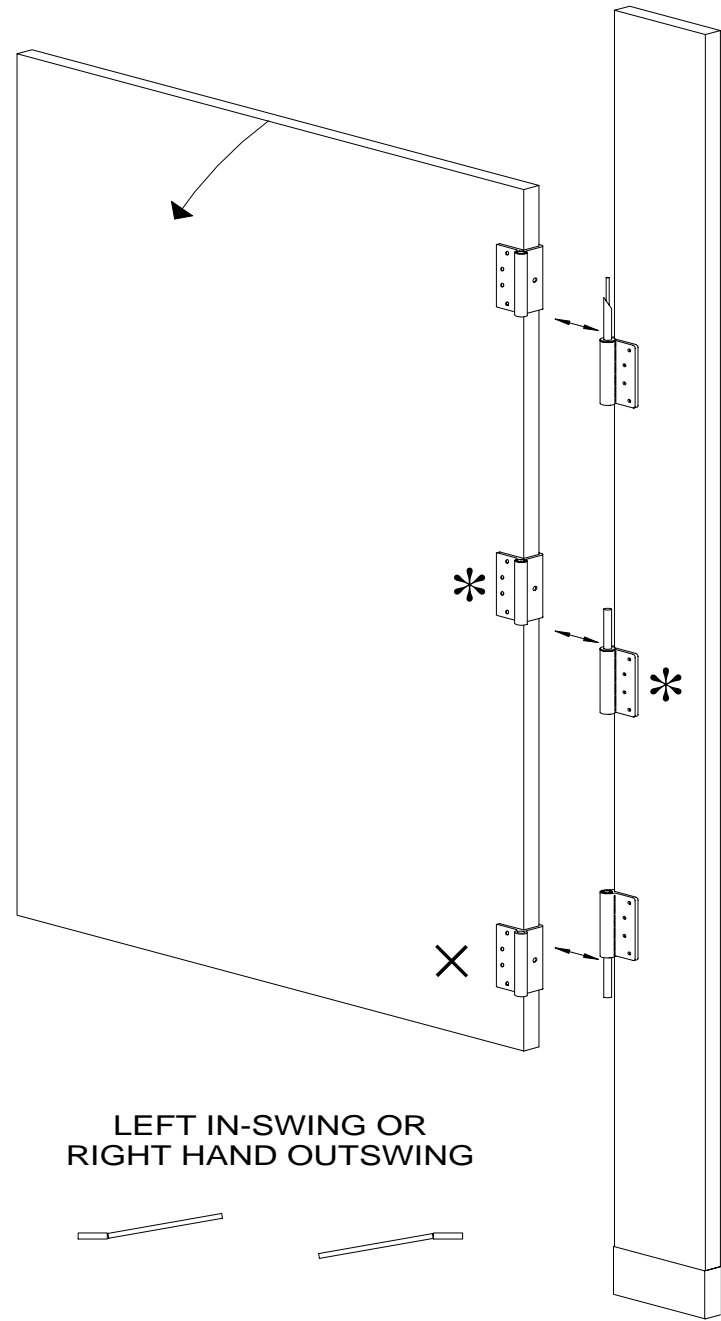
**PILASTER DRILLING TEMPLATE DETAIL**



**GENERAL PARTITIONS** Mfg. Corp.  
 1702 Peninsula Drive, Erie PA  
 P.O. Box 8370, Erie, PA 16505-0370  
 Phone (814) 833-1154 FAX (814) 838-3473



RIGHT IN-SWING OR  
LEFT HAND OUTSWING

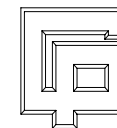


LEFT IN-SWING OR  
RIGHT HAND OUTSWING

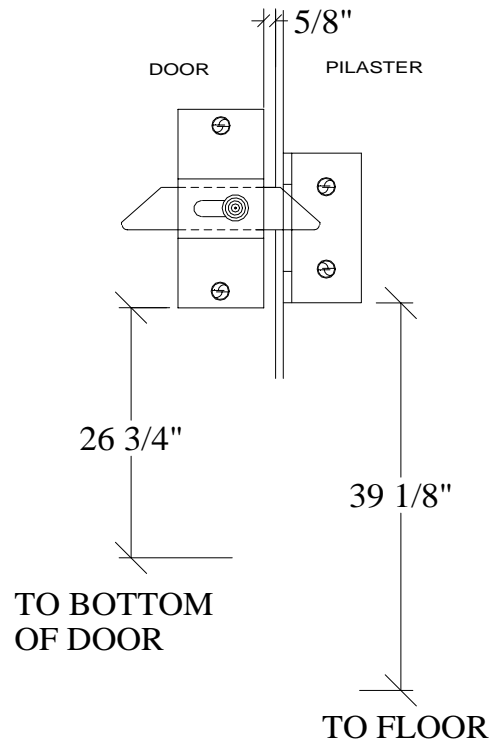
\* NOTE: DOORS SMALLER THAN 30"  
ONLY HAVE A TOP AND BOTTOM HINGE  
THE MIDDLE HINGE IS ELIMINATED.

X NOTE: SECURE BOTTOM DOOR HINGE  
AFTER DOOR IS HUNG ON PILASTER

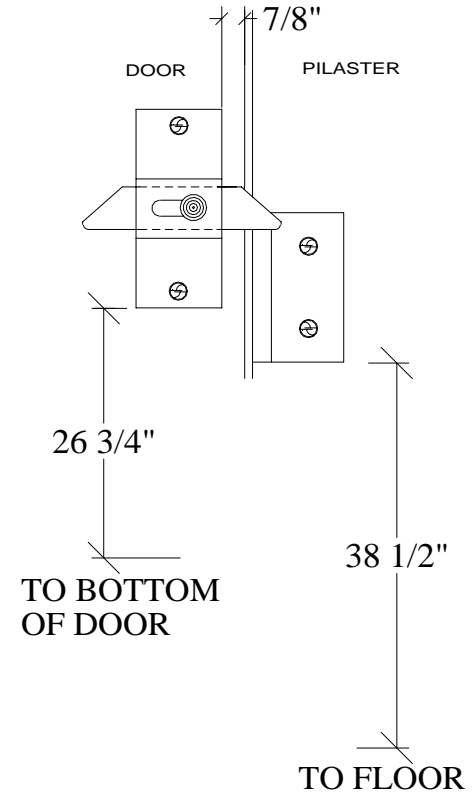
Drawn by: SPS 1500AL HINGE  
1220NG (HDP)



**GENERAL PARTITIONS** Mfg. Corp.  
1702 Peninsula Drive, Erie PA  
P.O. Box 8370, Erie, PA 16505-0370  
Phone (814) 833-1154 FAX (814) 838-3473

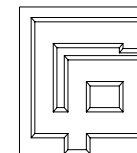


## INSWING DOORS



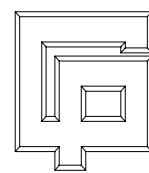
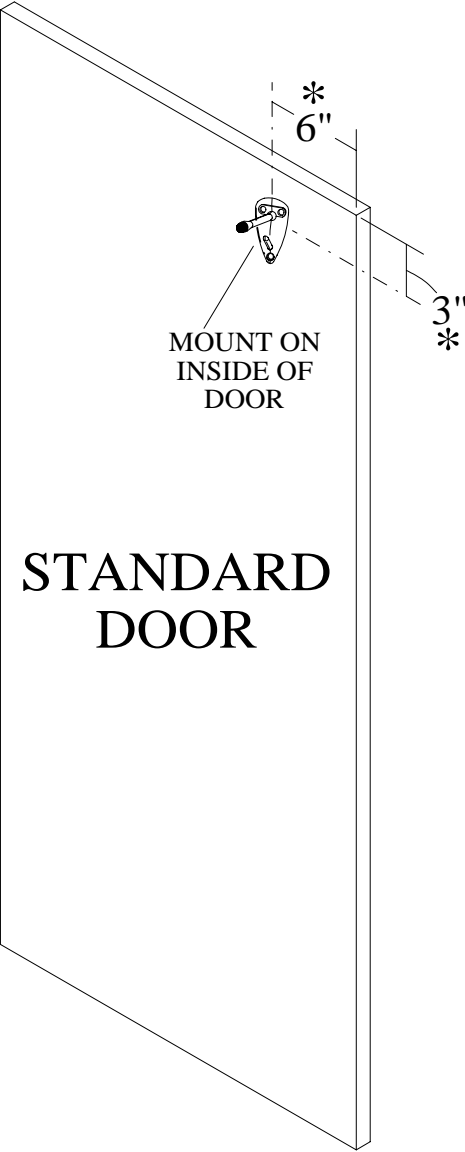
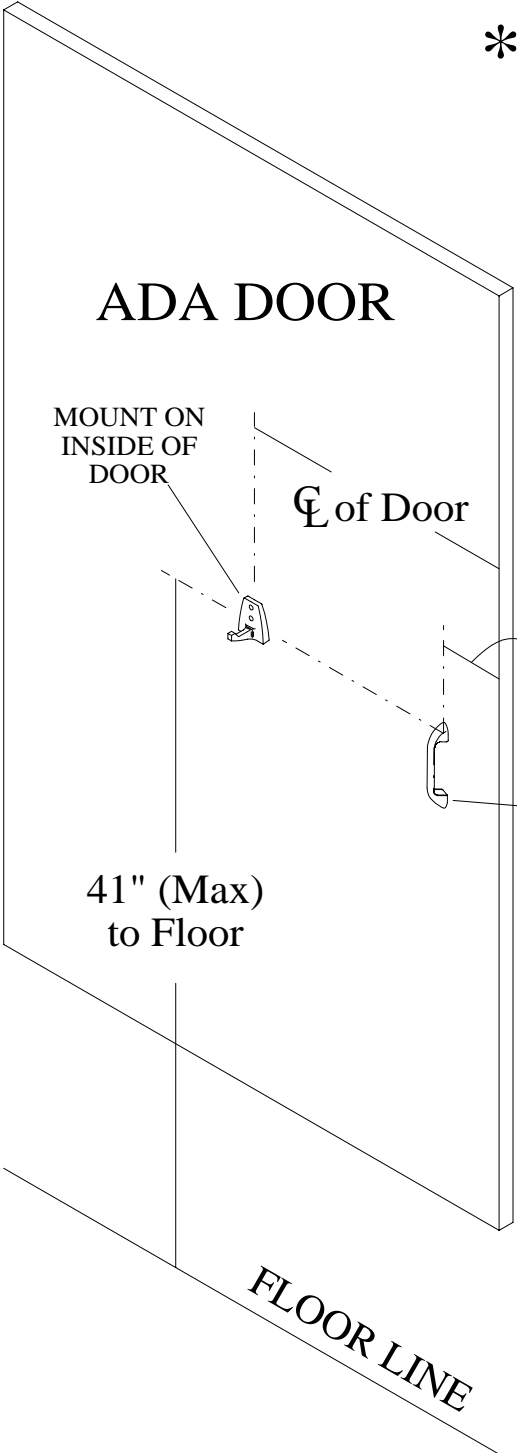
## OUTSWING DOORS

SLIDE LATCH & KEEPER  
MOUNTING LOCATIONS

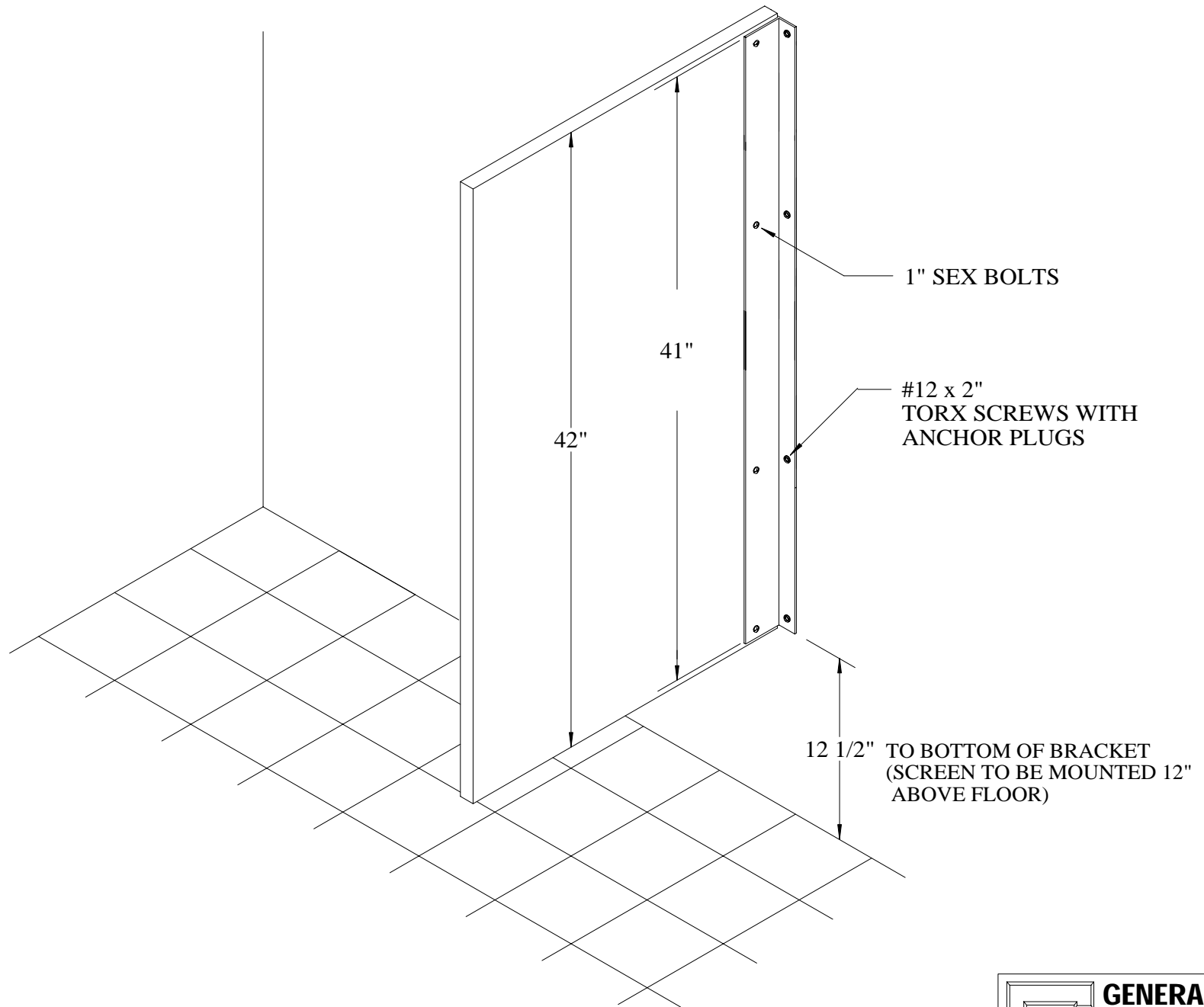


**GENERAL PARTITIONS** Mfg. Corp.  
1702 Peninsula Drive, Erie PA  
P.O. Box 8370, Erie, PA 16505-0370  
Phone (814) 833-1154 FAX (814) 838-3473

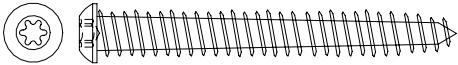
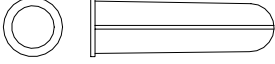
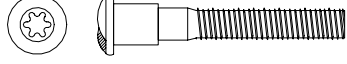






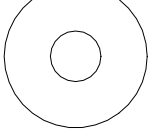
\* = DIMENSION CAN VARY TO SUIT JOB CONDITION



**GENERAL PARTITIONS** Mfg. Corp.  
1702 Peninsula Drive, Erie PA  
P.O. Box 8370, Erie, PA 16505-0370  
Phone (814) 833-1154 FAX (814) 838-3473



WHF-7 URINAL SCREEN DETAIL

	<p>2" STAINLESS STEEL TORX HEAD #12 SCREW- used for bracket-to-wall attachment, pilaster to floor attachment and headrail bracket-to-wall attachment. Drill 1/4" hole.</p>
	<p>PLASTIC ANCHOR- used in conjunction with the 2" x #12 screws.</p>
	<p>1 3/8" STAINLESS STEEL TORX #10 MALE MACHINE BOLT- used for attachment of door pull and slide latch on outswing doors only. Drill 1/4" hole.</p>
	<p>3/4" STAINLESS STEEL TORX HEAD #14 SCREW- used for continuous wall brackets on back of pilasters and also back of headrail at top of pilaster. Drill 3/16" hole.</p>
	<p>1" STAINLESS STEEL #10 HINGE SCREW- used for securing the hinges to the edges of the pilasters. Drill 1/8" hole.</p>
	<p>1" STAINLESS STEEL TORX #10 THRU-BOLT- used for bracket-to-panel, bracket-to-pilaster, headrail-to-chair bracket, pilaster shoe-to-pilaster and the following door hardware: hinges, latches, strikes and keepers. Drill 1/4" hole.</p>
	<p>5/8" STAINLESS STEEL #10 ONE-WAY SCREW- used for attaching the coat hook and for attachment of the wall stop on outswing doors. Drill 1/8" hole.</p>
	<p>1/2" STAINLESS STEEL #14 SCREW- used for attachment of anti-grip headrail to headrail block. Drill 3/16" hole.</p>
	<p>#14 x 1" SCREW- used for attachment of headrail block to pilaster at alcove connection. Drill 3/16" hole.</p>
	<p>1/4" x 3/4" x 1/16" STAINLESS STEEL WASHER- used for attachment of floor plate.</p>