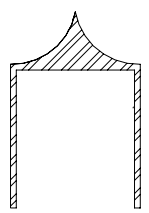


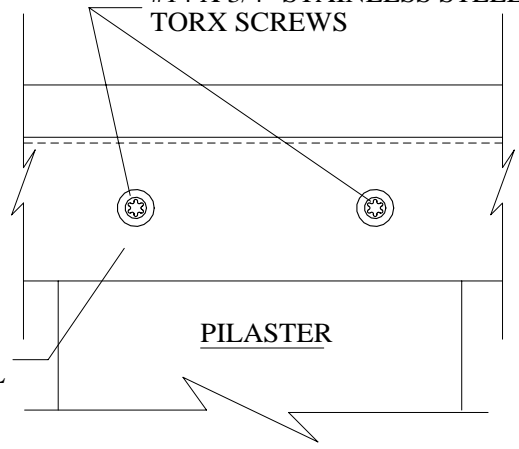
#12 X 2" STAINLESS STEEL TORX SCREWS WITH ANCHOR PLUGS

#14 X 3/4" STAINLESS STEEL TORX SCREWS



CROWN HEADRAIL

PILASTER



CONTINUOUS 54" PANEL "T" BRACKET

FINISH WALL

PANEL

1" SEX BOLTS STAINLESS STEEL

#14 X 3/4" STN. STL. TORX SCREW CONTINUOUS 54" "U" EXTRUSION

#A2000 ALUMINUM SURFACE MOUNTED SLIDE LATCH.

A12060 ALUM. INSWING STOP & KEEPER

A1500-T&B ALUM. WRAP HINGE

DOOR

1" SEX BOLTS STAINLESS STEEL

A12060 ALUM. OUT SWING STOP & KEEPER

1" SEX BOLTS STAINLESS STEEL

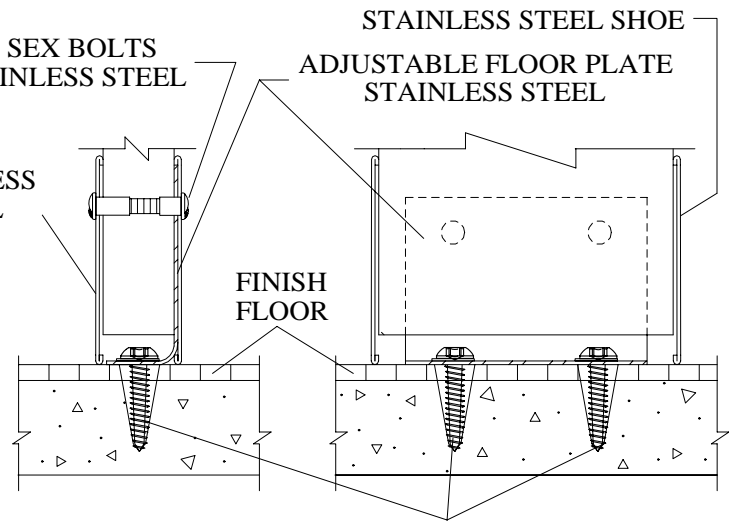
STAINLESS STEEL SHOE

ADJUSTABLE FLOOR PLATE STAINLESS STEEL

1" SEX BOLTS STAINLESS STEEL

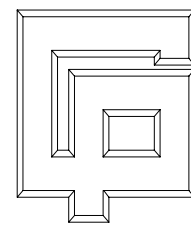
STAINLESS STEEL SHOE

FINISH FLOOR



#12 X 2" STAINLESS STEEL TORX SCREWS WITH ANCHOR PLUGS

### SERIES 40-7 CONSTRUCTION DETAILS



# GENERAL PARTITIONS

Mfg. Corp.

1702 Peninsula Drive, Erie PA  
P.O. Box 8370, Erie, PA 16505-0370  
Phone (814) 833-1154 FAX (814) 838-3473