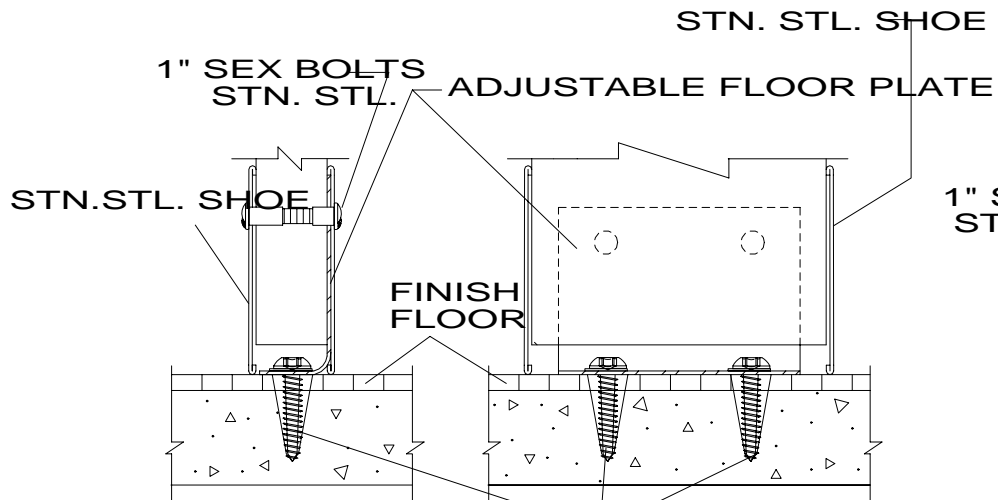
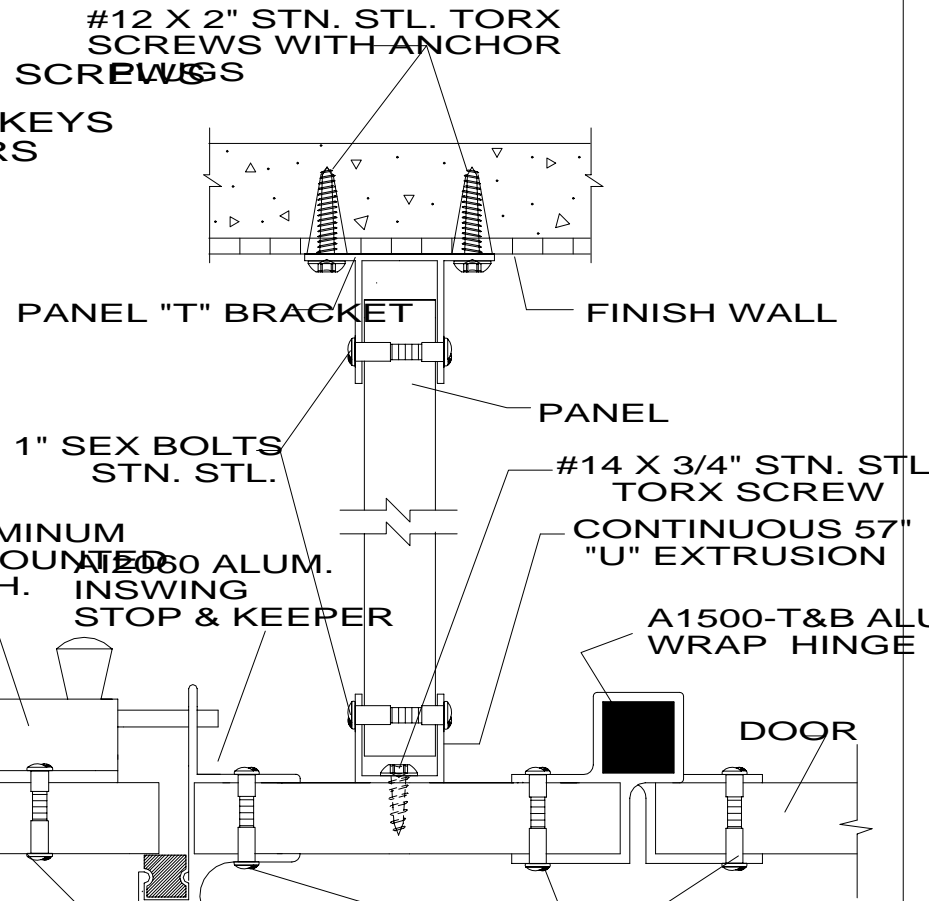


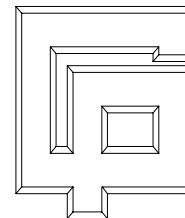
**CEILING CONNECTION**



#12 X 2" STN. STL. TORX SCREWS WITH ANCHOR PLUGS

**FLOOR CONNECTION**

**SERIES 40-7 CONSTRUCTION**



**GENERAL PARTITIONS** Mfg. Corp.

1702 Peninsula Drive, Erie PA  
 P.O. Box 8370, Erie, PA 16505-0370  
 Phone (814) 833-1154 FAX (814) 838-3473