

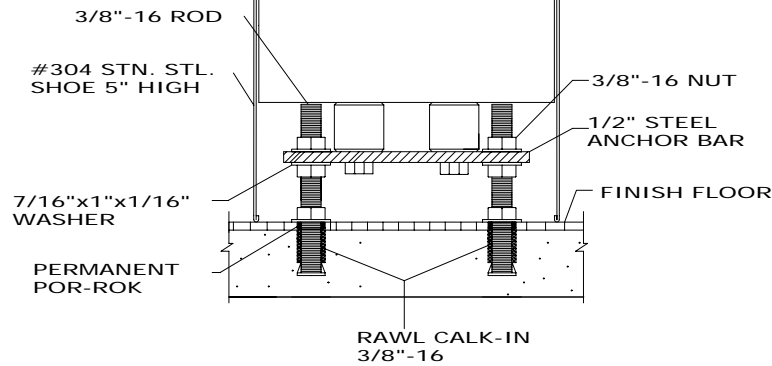
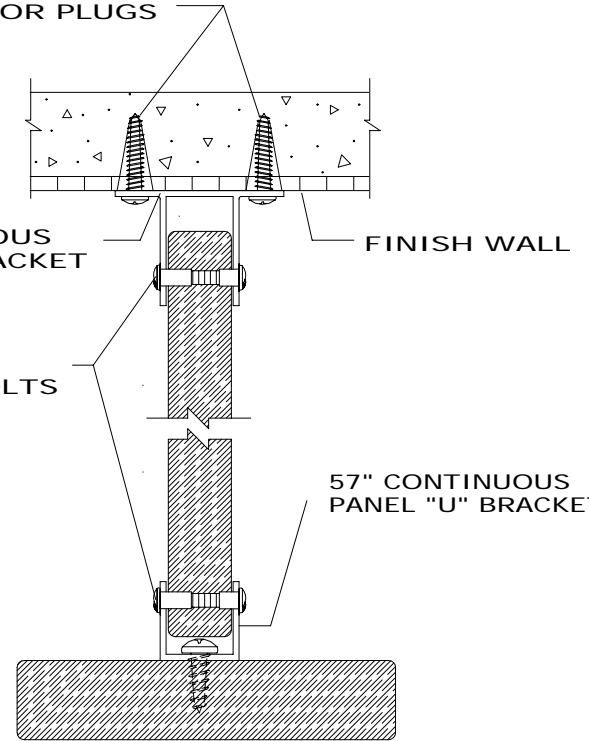
BACKING LOCATIONS

#12 X 2" SCREWS
WITH ANCHOR PLUGS
STN. STL.

57" CONTINUOUS
PANEL "T" BRACKET

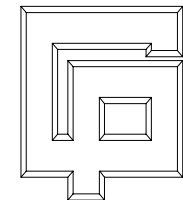
STN. STL.
PANEL SEX BOLTS

57" CONTINUOUS
PANEL "U" BRACKET



30-6 FLOOR CONNECTION

**FBS -7 HDP
URINAL SCREEN**



**GENERAL
PARTITIONS** Mfg. Corp.

1702 Peninsula Drive, Erie PA
P.O. Box 8370, Erie, PA 16505-0370
Phone (814) 833-1154 FAX (814) 838-3473