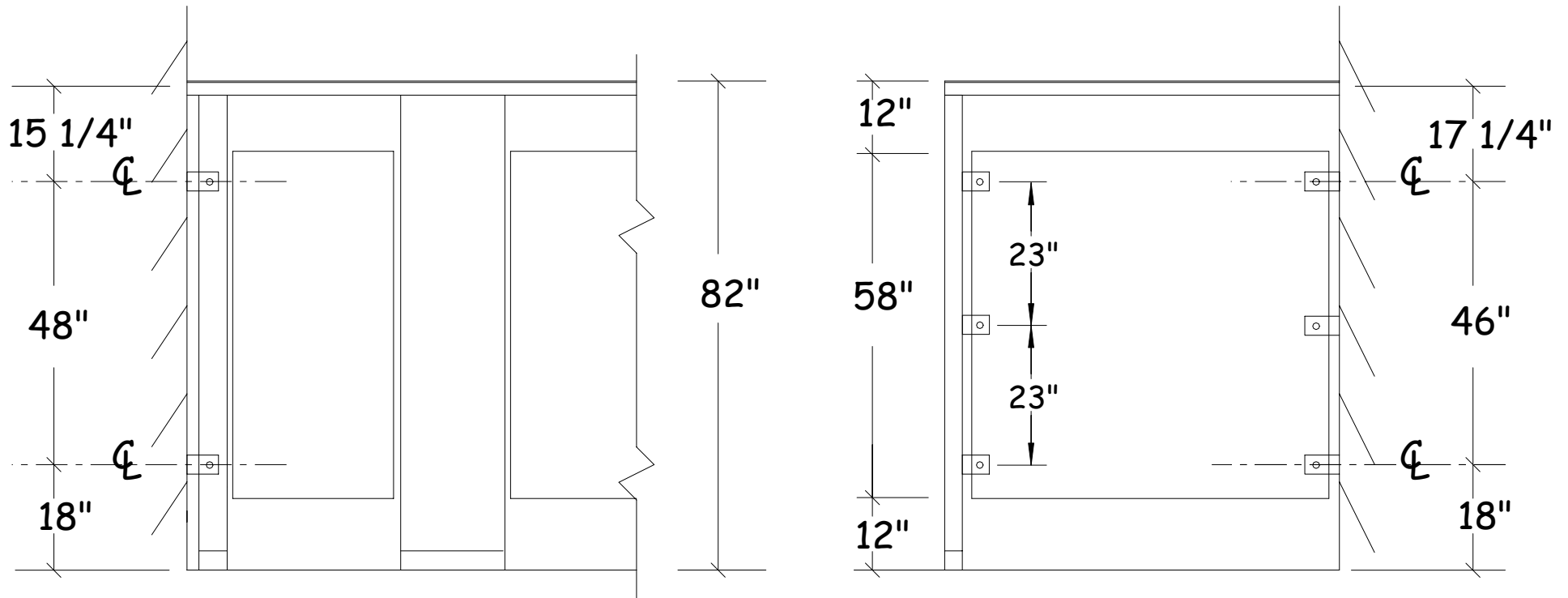
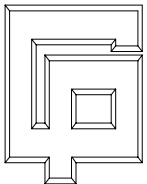


# SOLID PHENOLIC CORE



Series 40 - Typical elevation  
Backing points for other than masonry walls indicated



**GENERAL**  
**PARTITIONS** Mfg. Corp.  
1702 Peninsula Drive, Erie PA  
P.O. Box 8370, Erie, PA 16505-0370  
Phone (814) 833-1154 FAX (814) 838-3473