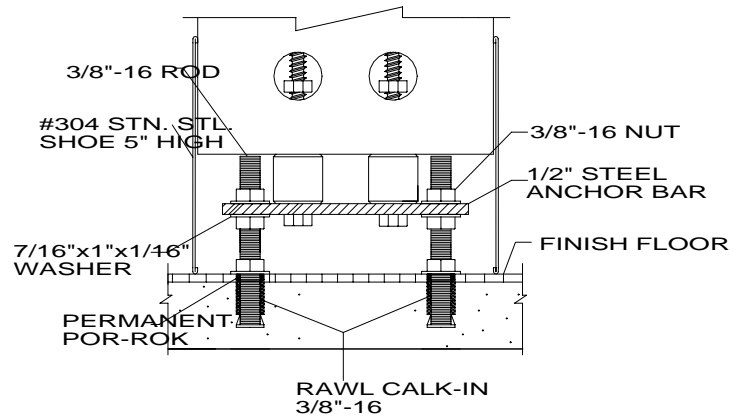
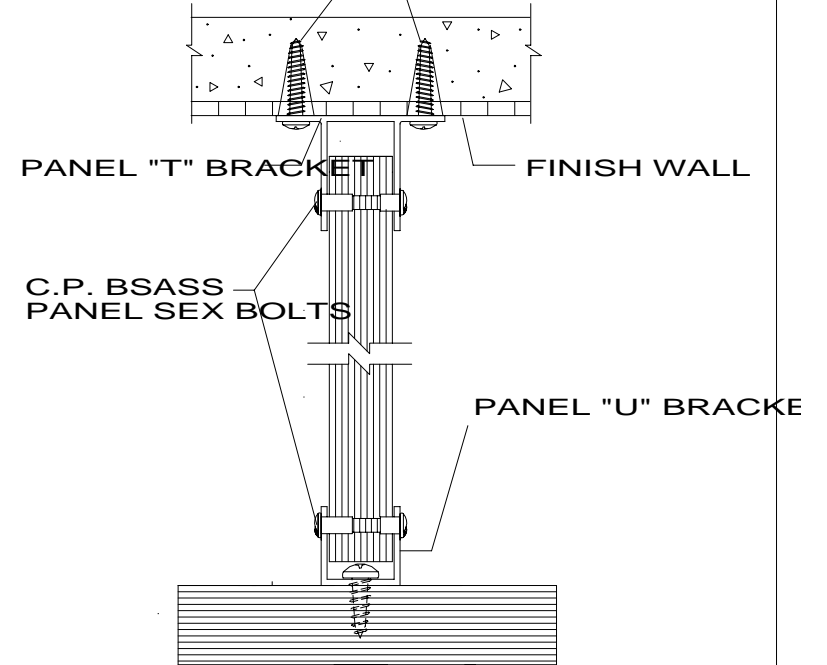


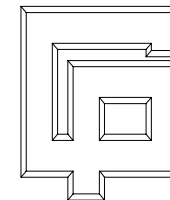
BACKING LOCATIONS

#12 X 2" SCREWS  
WITH ANCHOR PLUGS  
STN. STL.



30-6 FLOOR CONNECTION

FBS-6 SPC URINAL SCRE



**GENERAL PARTITIONS** Mfg. Corp.

1702 Peninsula Drive, Erie PA  
P.O. Box 8370, Erie, PA 16505-0370  
Phone (814) 833-1154 FAX (814) 838-3473