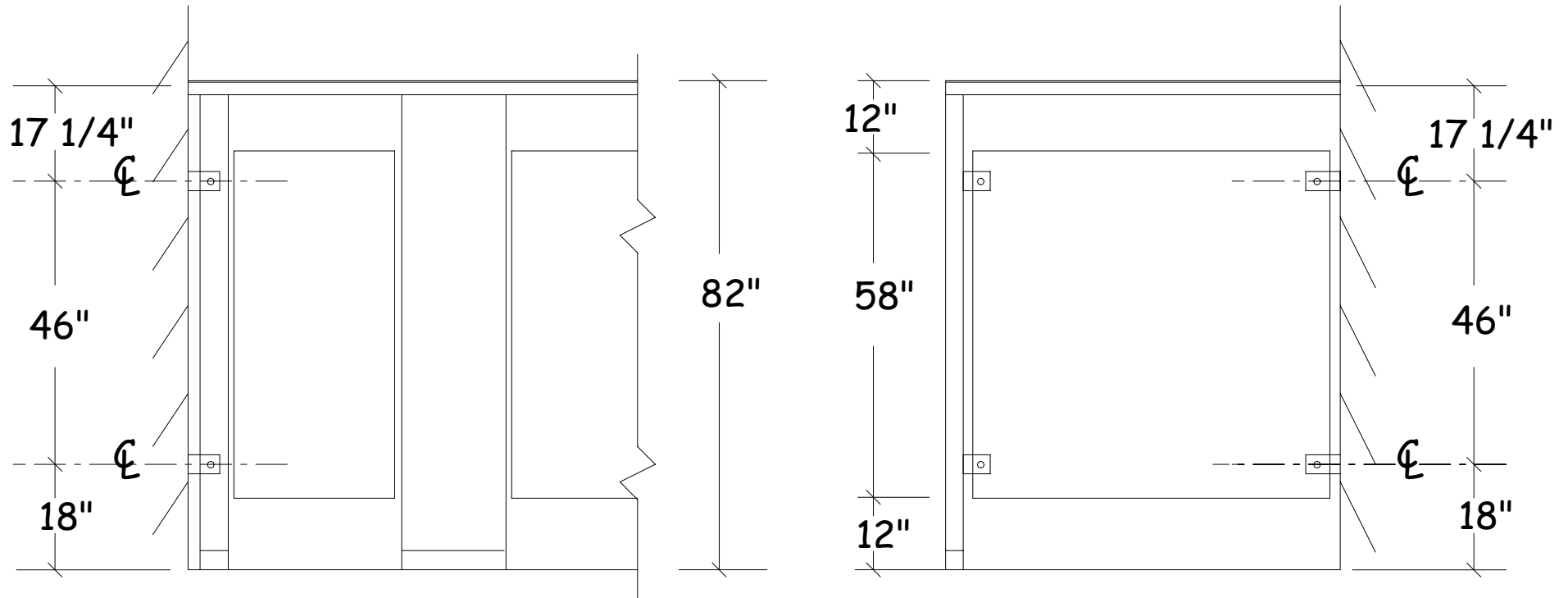
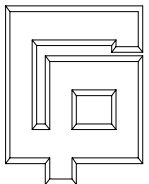


STAINLESS STEEL



Series 40 - Typical elevation

Backing points for other than masonry walls indicated



GENERAL

PARTITIONS Mfg. Corp.

1702 Peninsula Drive, Erie PA
P.O. Box 8370, Erie, PA 16505-0370
Phone (814) 833-1154 FAX (814) 838-3473