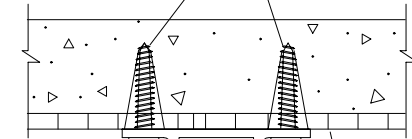


BACKING LOCATIONS

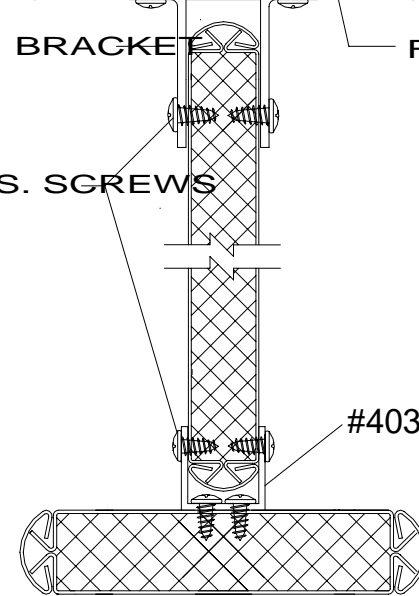
#12 X 2" S.S. SCREWS WITH ANCHOR PLUGS



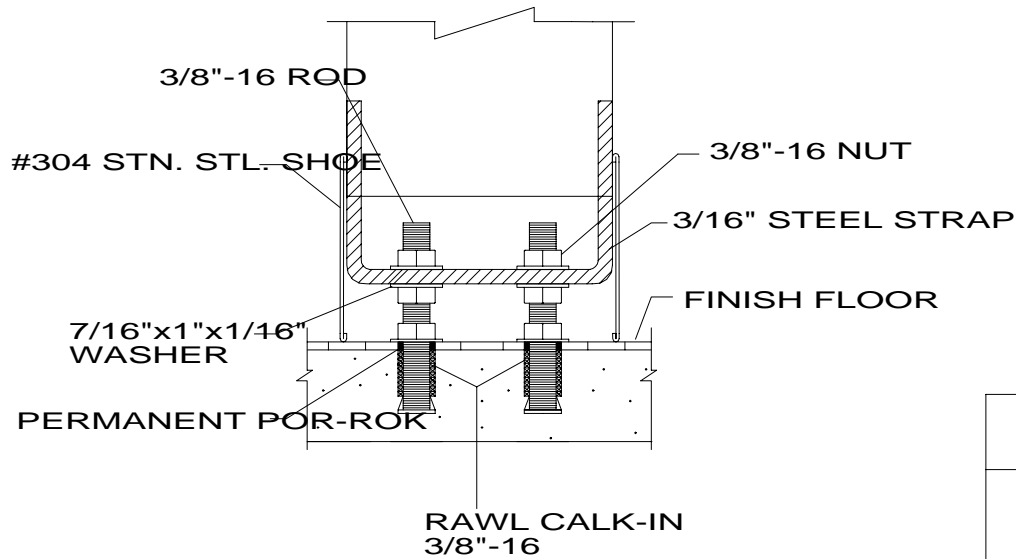
#4000 BRACKET

FINISH WA

14 x 1/2" S.S. SCREWS

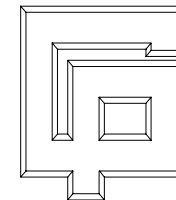


#4030 "U" BRACK



30-1 FLOOR CONNECTION

FBS-3 S.S. URINAL SCREEN



GENERAL PARTITIONS Mfg. Corp.

1702 Peninsula Drive, Erie PA
 P.O. Box 8370, Erie, PA 16505-0370
 Phone (814) 833-1154 FAX (814) 838-3473