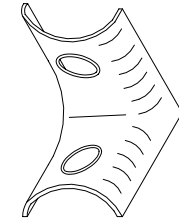
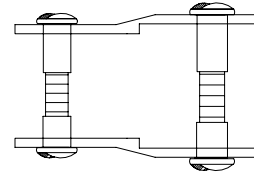
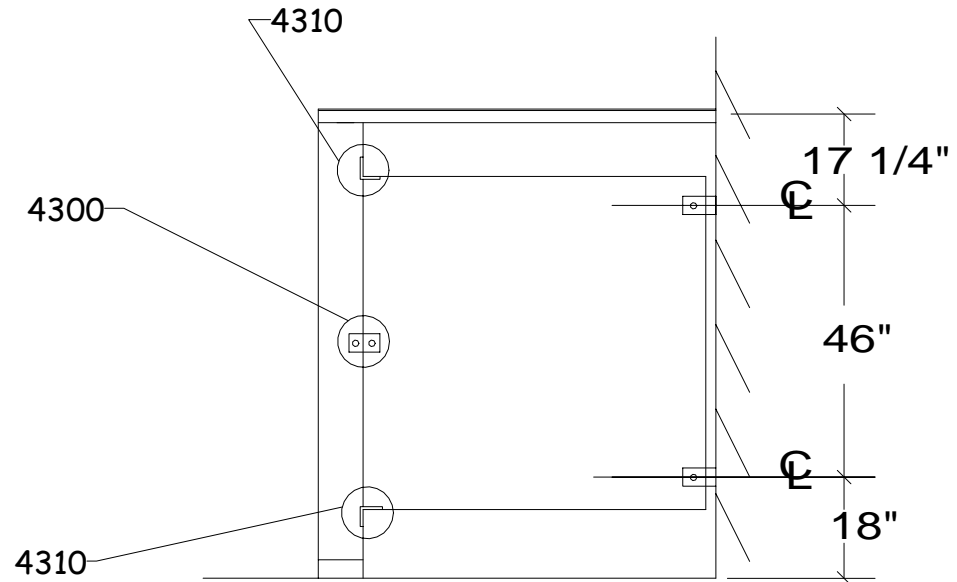


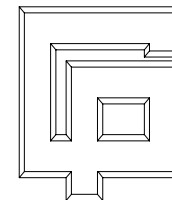
ALCOVE OFFSET
4300



ALCOVE CLIP
4310



FSH-3 SS URINAL SCREE



**GENERAL
PARTITIONS** Mfg. Corp.

1702 Peninsula Drive, Erie PA
P.O. Box 8370, Erie, PA 16505-0370
Phone (814) 833-1154 FAX (814) 838-3473