

40" x 40"

40" x 48"

BAKED ENAMEL

STAINLESS STEEL

**NOTE:**

SHOWER HEAD AND MIXING VALVES FURNISHED BY:

GENERAL PARTITIONS

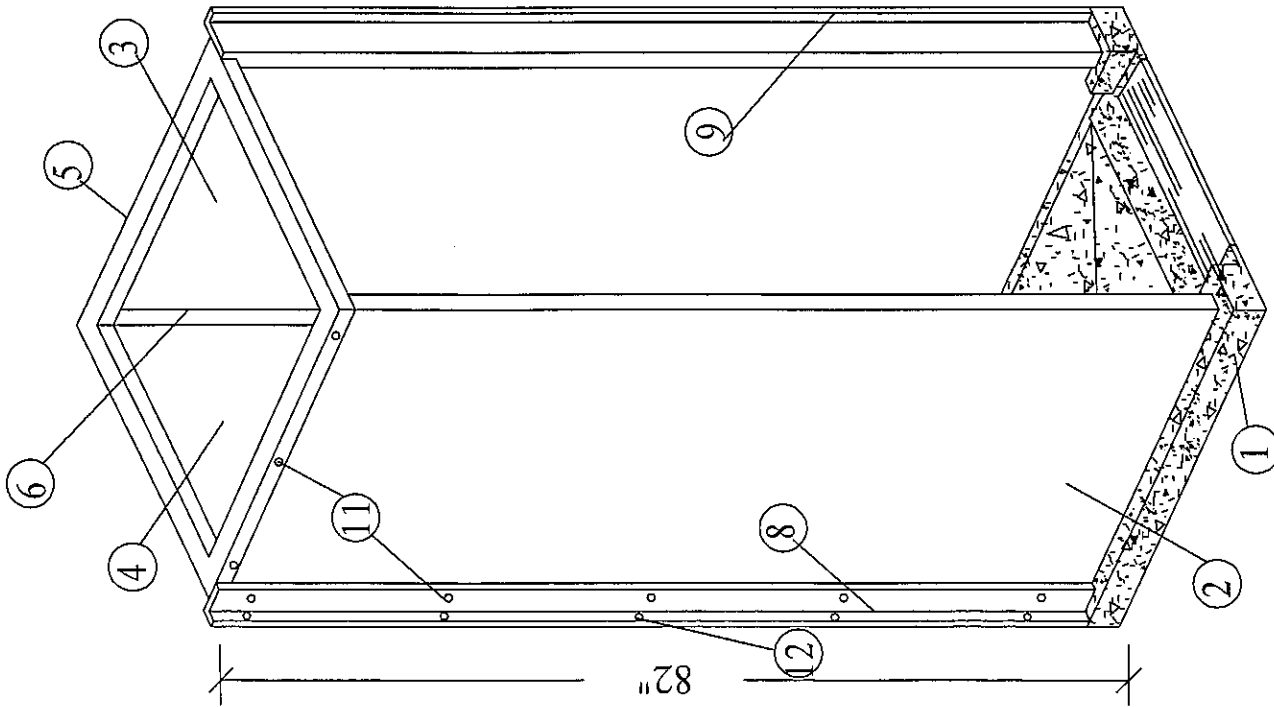
OTHERS

OTHER ACCESSORIES IF REQUIRED:

48" x 72 1/2" WHITE DUCK CURTAIN

CURTAIN HOOKS FOR 1" O.D. ROD

CHROME PLATED SOAP DISH



NOTE: ALL DIMENSIONS ARE SUBJECT TO A MANUFACTURE VARIANCE OF +/- 1/4"

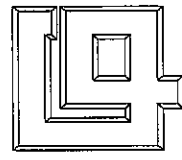
WE SUGGEST A FLOOR DRAIN AT THE ENTRANCE TO THE WHEELCHAIR SHOWER FLOOR

PART NO.	40" x 40" SHOWER	QTY. PER SHWR.
1	40" x 40" HANDICAP BASE	1
2	36 9/16" x 77 3/16" LEFT PANEL	1
3	36 9/16" x 77 3/16" RIGHT PANEL	1
4	36 9/16" x 77 3/16" BACK PANEL	1
5	ALUM. TOP CAP 38 1/2" x 37 1/2"	1
6	ALUMINUM CORNER JOINT	2
7	36 1/4" x 1" O.D. CURTAIN ROD	1
8	BACK CORNER FILLER STRIP-ALUM.	
9	FRONT CORNER FILLER STRIP-S/S.	
10	INT. FILLER STRIP-ALUM	
11	1" SEX BOLTS	
12	#12 x 2" S.M.S. W/ PLUGS	

ADVISE

PART NO.	40" x 48" SHOWER	QTY. PER SHWR.
1	40" x 48" HANDICAP BASE	1
2	44 9/16" x 77 3/16" LEFT PANEL	1
3	44 9/16" x 77 3/16" RIGHT PANEL	1
4	35 5/8" x 77 3/16" BACK PANEL	1
5	ALUM. TOP CAP 37 1/2" x 45 1/2"	1
6	ALUMINUM CORNER JOINT	2
7	35 1/4" x 1" O.D. CURTAIN ROD	1
8	BACK CORNER FILLER STRIP-ALUM.	
9	FRONT CORNER FILLER STRIP-S/S.	
10	INT. FILLER STRIP-ALUM	
11	1" SEX BOLTS	
12	#12 x 2" S.M.S. W/ PLUGS	

ADVISE



**GENERAL PARTITIONS** Mfg. Corp.

1702 Peninsula Drive, Erie PA  
P.O. Box 8370, Erie, PA 16505-0370  
Phone (814) 833-1154 FAX (814) 838-3473