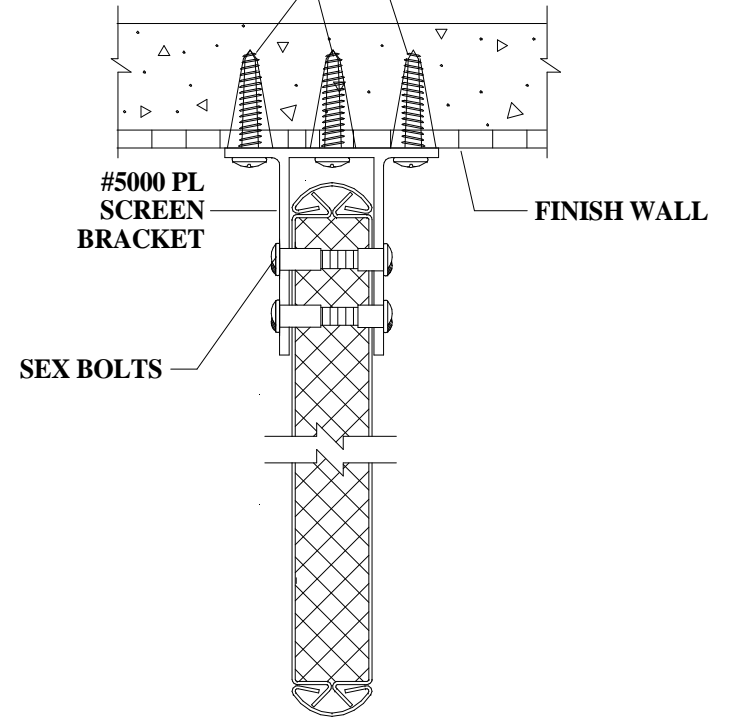
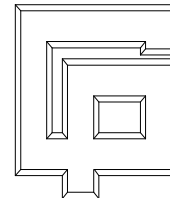


#12 X 2" SCREWS WITH ANCHOR PLUGS



**WHS-1 B.E. URINAL SCREEN**



**GENERAL PARTITIONS** Mfg. Corp.

1702 Peninsula Drive, Erie PA  
 P.O. Box 8370, Erie, PA 16505-0370  
 Phone (814) 833-1154 FAX (814) 838-3473