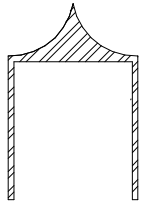


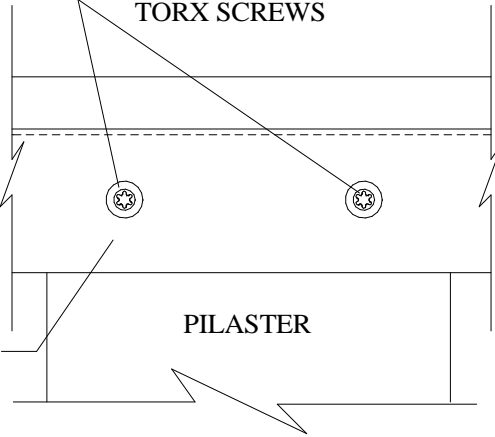
#12 X 2" STN. STL. TORX  
SCREWS WITH ANCHOR  
PLUGS

#14 X 3/4" STN. STL.  
TORX SCREWS



CROWN  
HEADRAIL

PILASTER



DOUBLE HIGH  
"T" BRACKET

FINISH WALL

PANEL

1" SEX BOLTS  
STN. STL.

#14 X 3/4" STN. STL.  
TORX SCREW  
DOUBLE HIGH  
"U" BRACKET

2000AL ALUMINUM  
SURFACE MOUNTED  
SLIDE LATCH

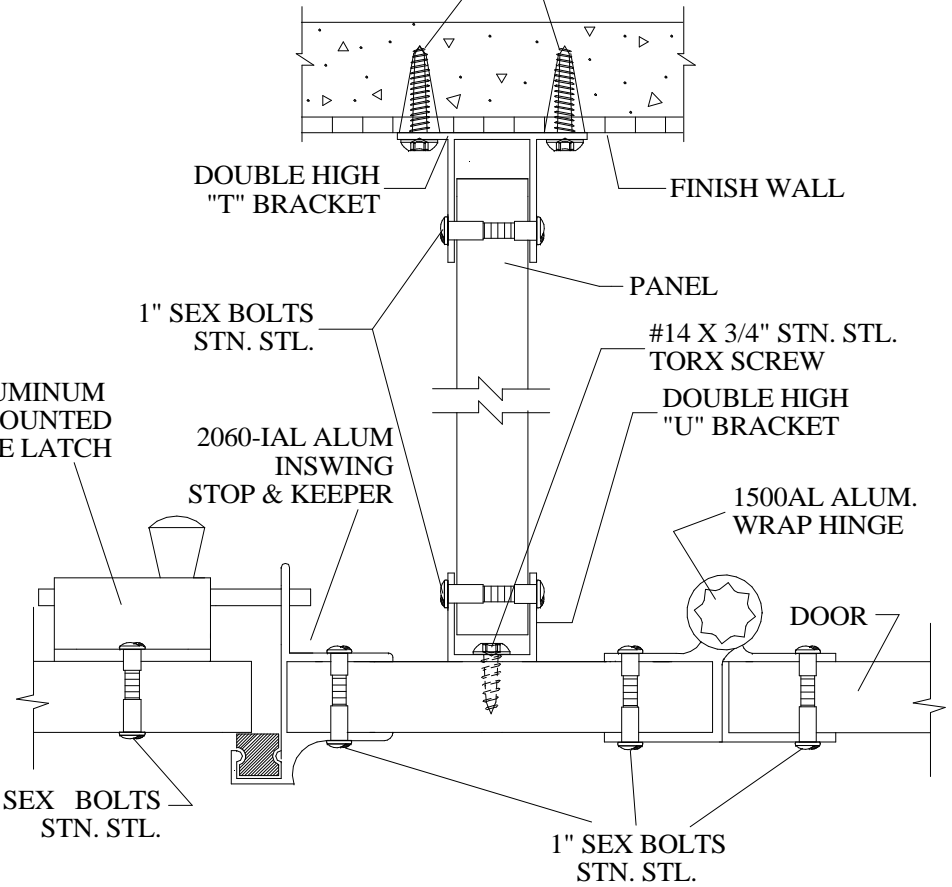
2060-IAL ALUM  
IN SWING  
STOP & KEEPER

1500AL ALUM.  
WRAP HINGE

DOOR

1" SEX BOLTS  
STN. STL.

1" SEX BOLTS  
STN. STL.



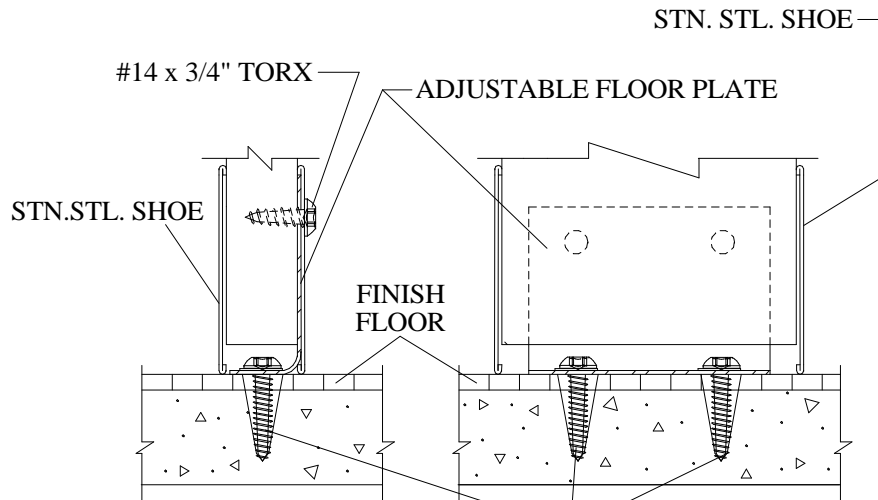
STN. STL. SHOE

#14 x 3/4" TORX

ADJUSTABLE FLOOR PLATE

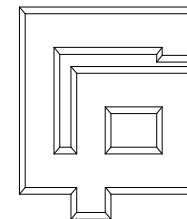
STN. STL. SHOE

FINISH  
FLOOR



#12 X 2" STN. STL. TORX  
SCREWS WITH ANCHOR  
PLUGS

### SERIES 40-10 FRP CONSTRUCTION DETAILS



**GENERAL  
PARTITIONS** Mfg. Corp.

1702 Peninsula Drive, Erie PA  
P.O. Box 8370, Erie, PA 16505-0370  
Phone (814) 833-1154 FAX (814) 838-3473