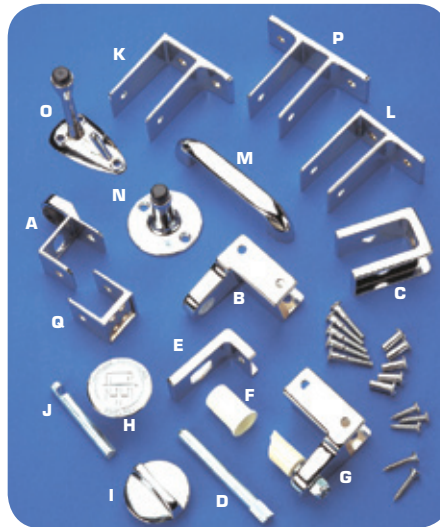


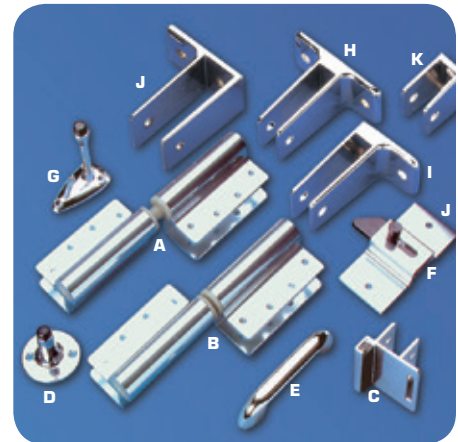
H.D.P. (HIGH DENSITY POLYMER)

- A** 1500 AL-T Top Assembly Aluminum Wrap-Around Gravity Hinge
- B** 1500 AL-B Bottom Assembly Aluminum Wrap-Around Gravity Hinge
- C** 2060-IAL Inswing Stop and Keeper—Aluminum 2060-OAL Outswing (Not Shown) Stop and Keeper—Aluminum
- D** 6250 Door Bumper
- E** 6300 AL Door Pull
- F** 2000 AL Surface Mounted Slide Latch—Aluminum
- G** 6200D Combination Coat Hook and Bumper
- H** 6000 EXT 1" (54") "T" Bracket
- I** 6060 EXT 1" (54") "L" Bracket
- J** 6030 EXT 1" (54") "U" Bracket



PLASTIC LAMINATE

- A** 2060C-PL Combination Stop and Keeper
- B** 1250PL-T Top Hinge Bracket
- C** 1500PL Concealed Top Hinge
- D** 1500PL-T Top Hinge Pin
- E** 1000PL Concealed Bottom Hinge
- F** 1000PL Female Cam
- G** 1250PL-B Bottom Hinge Bracket with Male Cam
- H** 2000CPL-B Concealed Latch Exterior Cover
- I** 2000CPL-A Concealed Latch Operating Handle
- J** 2000CPL Concealed Latch Bar
- K** 4120 1 1/4" One Ear Chrome Wall Bracket
- L** 4060 1" One Ear Chrome Wall Bracket
- M** 6300D Door Pull
- N** 6250 Door Bumper
- O** 6200D Combination Coat Hook and Bumper
- P** 4000 1" Two Ear Chrome Wall Bracket
- Q** 4030 1" "U" Chrome Bracket



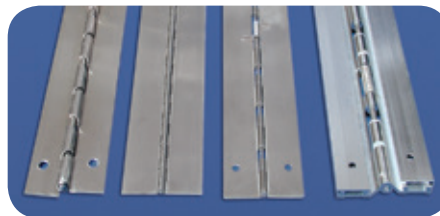
S.P.C. (SOLID PHENOLIC CORE)

- A** 1500 AL-T Top Assembly Aluminum Wrap-Around Gravity Hinge
- B** 1500 AL-B Bottom Assembly Aluminum Wrap-Around Gravity Hinge
- C** 2060-IAL Inswing Stop and Keeper—Aluminum 2060-OAL Outswing (Not Shown) Stop and Keeper—Aluminum
- D** 6250 Door Bumper
- E** 6300 AL Door Pull
- F** 2000 AL Surface Mounted Slide Latch—Aluminum
- G** 6200D Combination Coat Hook and Bumper
- H** 4000 (.5) 1/2" "T" Chrome Bracket
- I** 4060 (.5) 1/2" "L" Chrome Bracket
- J** 4060 1" "L" Chrome Bracket
- K** 4030 (.5) 1/2" "U" Chrome Bracket



BAKED ENAMEL/STAINLESS STEEL

- A** 2060D Combination Stop and Keeper
- B** 1250D Top Hinge Bracket
- C** 1250D-B Bottom Hinge Bracket
- D** 6200D Combination Coat Hook and Bumper
- E** 1500D-T Top Hinge Pin
- F** 1000D-C Spring Activated Cam Mechanism
- G** 1250D-C Bottom Male Cam with Locknut
- H** Miscellaneous Screws
- I** 4000 1" Two Ear Chrome Wall Bracket
- J** 4030 1" "U" Chrome Bracket
- K** 2000D-B Concealed Latch Exterior Cover
- L** 2000D-A Concealed Latch Operating Handle
- M** 6250 Door Bumper
- N** 4120 1 1/4" One Ear Chrome Wall Bracket
- O** 4060 1" One Ear Chrome Wall Bracket
- P** 6300D Door Pull

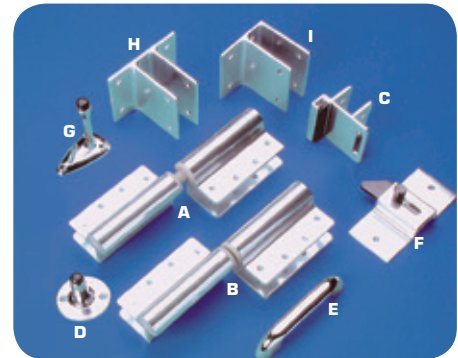


OPTIONAL FULL LENGTH HINGES

- ▶ Stainless Steel Cam
- ▶ Stainless Steel Piano
- ▶ Spring Loaded Stainless Steel
- ▶ Spring Loaded Aluminum Hinge with Covers (Concealed Fasteners)

OPTIONAL HEAVY DUTY FULL LENGTH BRACKETS

Available in Aluminum or Stainless Steel



F.R.P. (FIBERGLASS REINFORCED PLASTIC)

- A** 1500 AL-T Top Assembly Aluminum Wrap-Around Gravity Hinge
- B** 1500 AL-B Bottom Assembly Aluminum Wrap-Around Gravity Hinge
- C** 2060-IAL Inswing Stop and Keeper—Aluminum 2060-OAL Outswing (Not Shown) Stop and Keeper - Aluminum
- D** 6250 Door Bumper
- E** 6300 AL Door Pull
- F** 2000 AL Surface Mounted Slide Latch - Aluminum
- G** 6200D Combination Coat Hook and Bumper
- H** 4000 1" Double Aluminum "T" Bracket
- I** 4060 1" Double Aluminum "L" Bracket
- I** 4030 1" Double Aluminum "U" Bracket (not shown)



GENERAL PARTITIONS MFG. CORP.
1702 Peninsula Drive • Erie, PA 16505-4243
P.O. Box 8370 • Erie, PA 16505-0370
Phone 814.833.1154 • Fax 814.838.3473
GeneralPartitions.com
mikez@GeneralPartitions.com