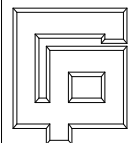
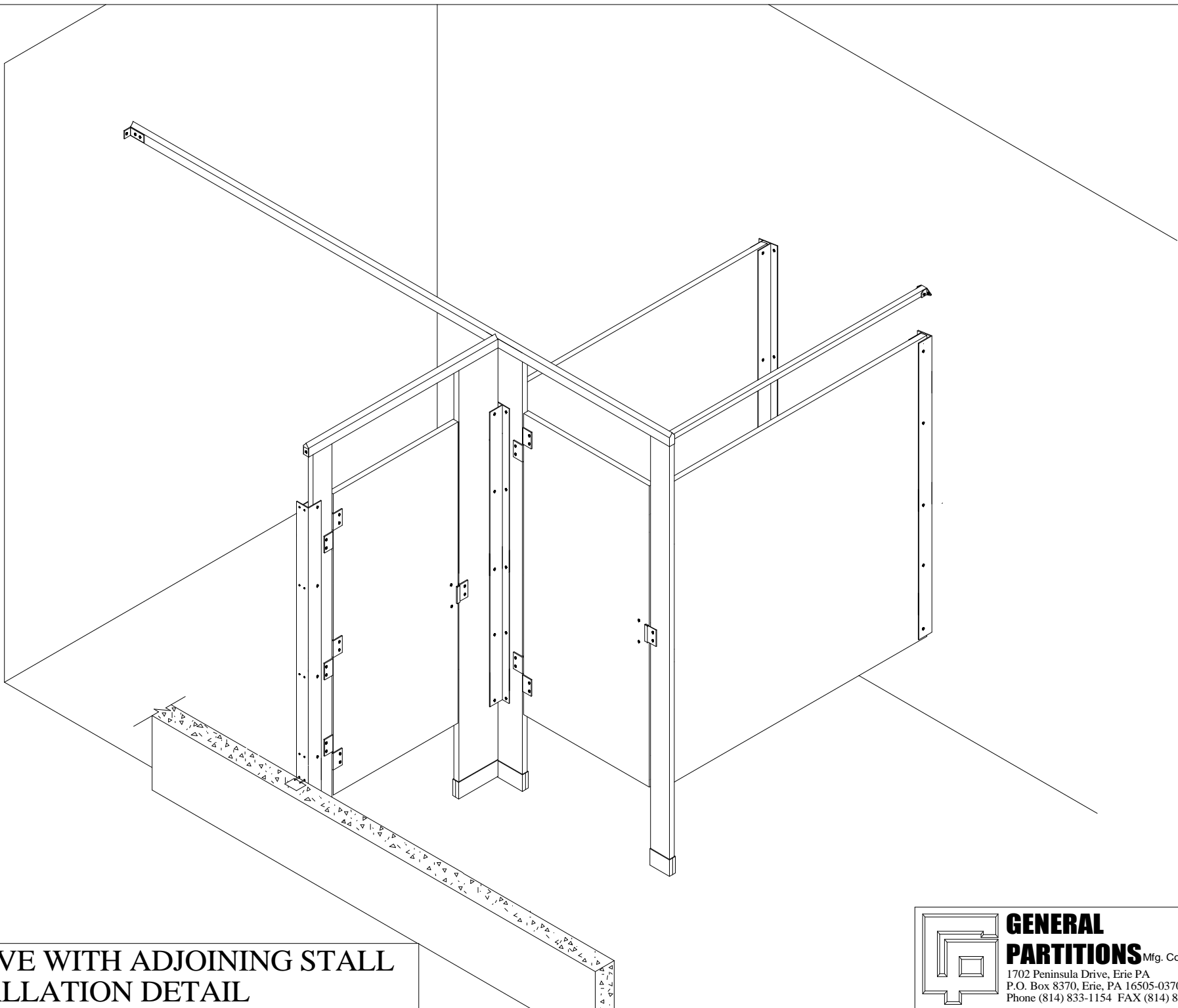


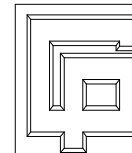
\* NOTE:  
ALUMINUM HEAT SINK STRIP TO BE MOUNTED  
AT BOTTOM OF PANELS & DOORS.

## STANDARD STALL INSTALLATION DETAIL

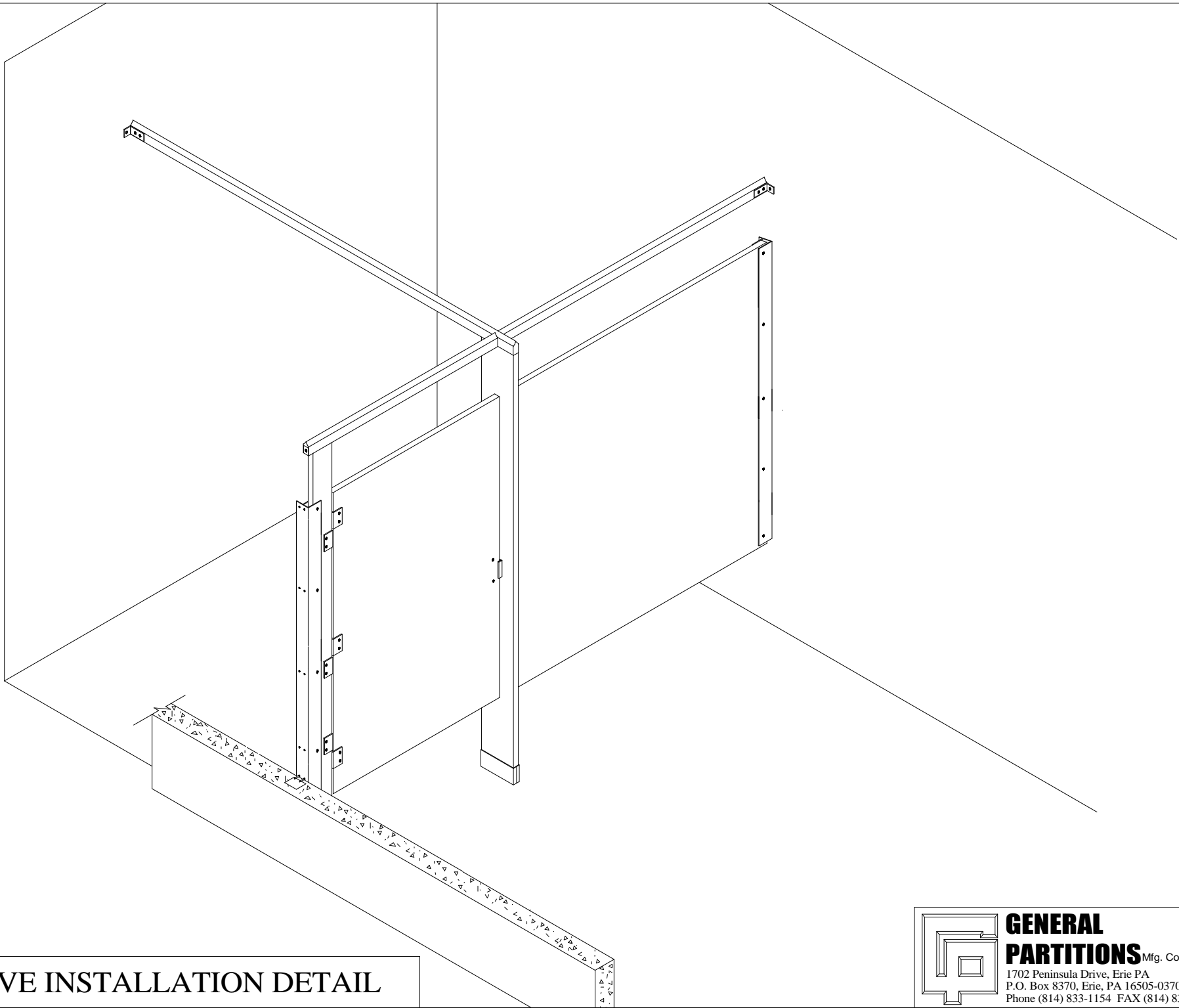
 **GENERAL  
PARTITIONS** Mfg. Corp.  
1702 Peninsula Drive, Erie PA  
P.O. Box 8370, Erie, PA 16505-0370  
Phone (814) 833-1154 FAX (814) 838-3473



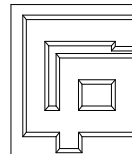
ALCOVE WITH ADJOINING STALL  
INSTALLATION DETAIL



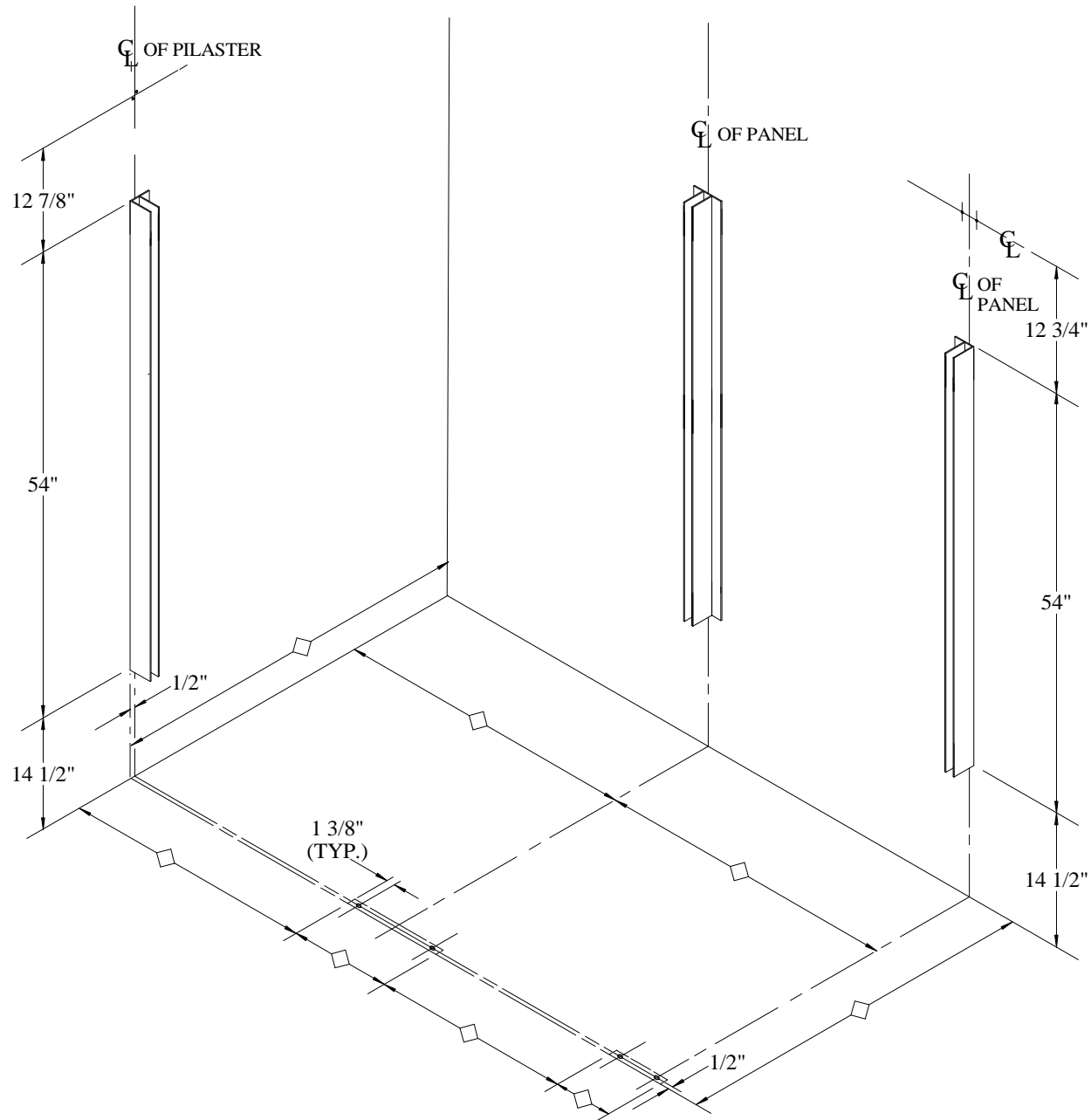
**GENERAL PARTITIONS** Mfg. Corp.  
1702 Peninsula Drive, Erie PA  
P.O. Box 8370, Erie, PA 16505-0370  
Phone (814) 833-1154 FAX (814) 838-3473



ALCOVE INSTALLATION DETAIL



**GENERAL PARTITIONS** Mfg. Corp.  
1702 Peninsula Drive, Erie PA  
P.O. Box 8370, Erie, PA 16505-0370  
Phone (814) 833-1154 FAX (814) 838-3473

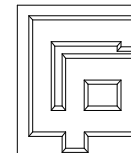


**LEGEND**

—◇— Obtain From Job Prints.

**LAYOUT AND MOUNTING BRACKETS DETAIL**

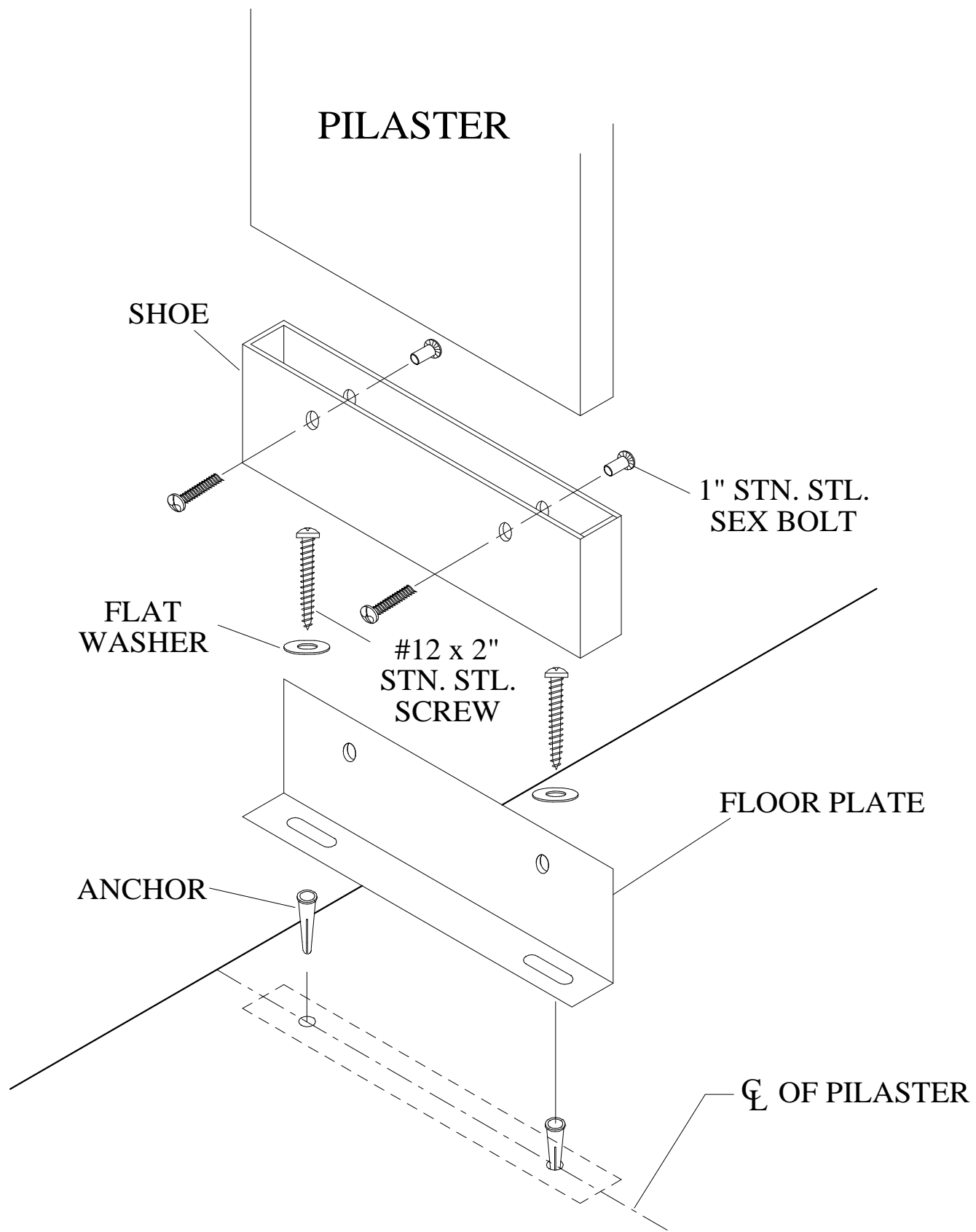
**55" HIGH DOORS & PANELS**



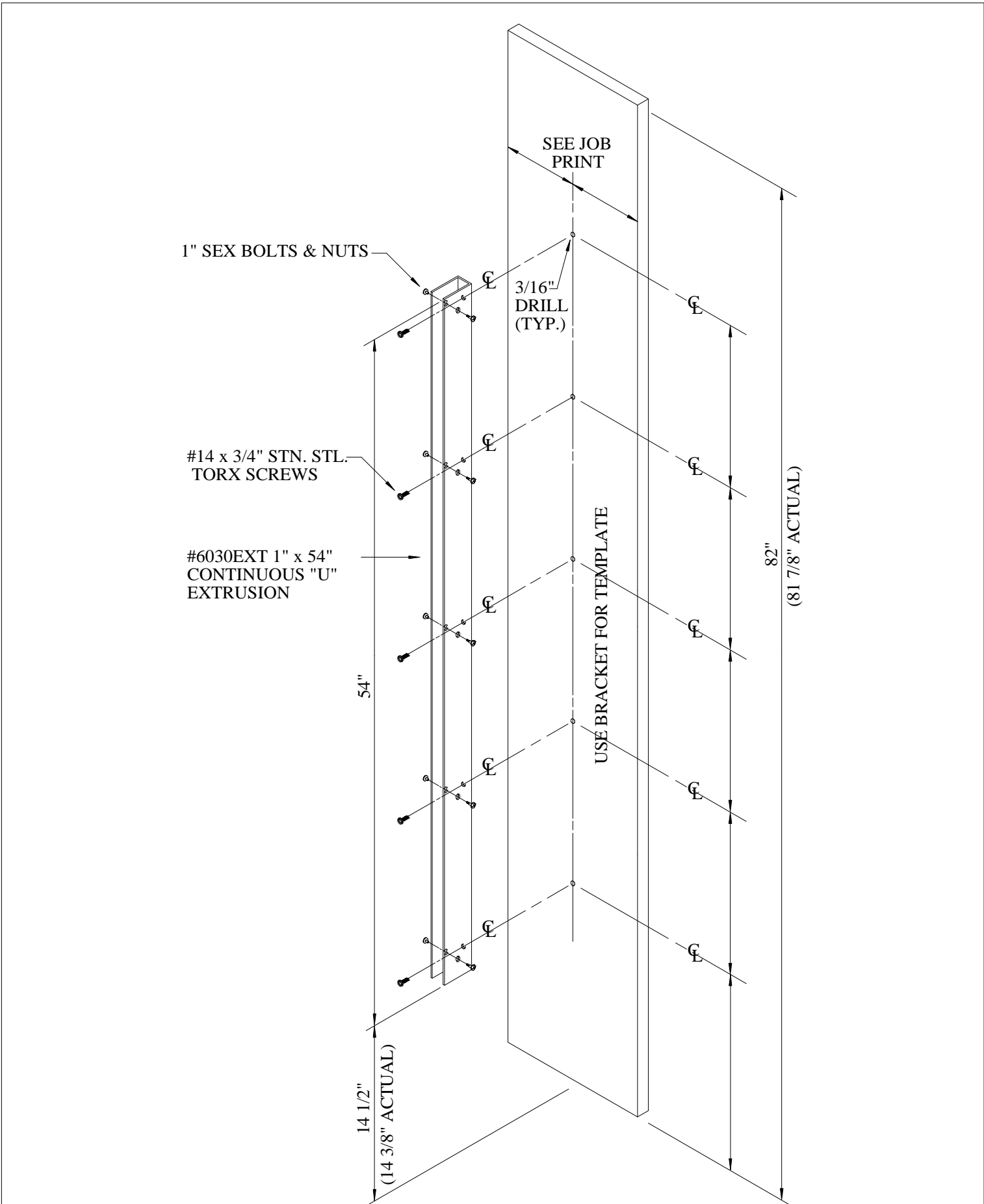
**GENERAL PARTITIONS** Mfg. Corp.  
 1702 Peninsula Drive, Erie PA  
 P.O. Box 8370, Erie, PA 16505-0370  
 Phone (814) 833-1154 FAX (814) 838-3473

## DIMENSIONS FOR DRILLING FLOOR FASTENERS

PILASTER SIZE	NO. OF HOLES	PIL. EDGE TO ϕ OF DRILL	ϕ TO ϕ OF DRILL HOLES
2"	1	1"	—
3"	1	1 1/2"	—
4"	2	1 3/8"	1 1/4"
5"	2	1 3/8"	2 1/4"
6"	2	1 3/8"	3 1/4"
8"	2	1 3/8"	5 1/4"
10"	2	1 3/8"	7 1/4"
12"	2	1 3/8"	9 1/4"
14"	2	1 3/8"	11 1/4"
18"	2	1 3/8"	15 1/4"
20"	2	1 3/8"	17 1/4"
22"	2	1 3/8"	19 1/4"
24"	2	1 3/8"	21 1/4"

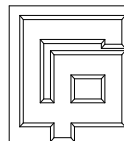


**40 SERIES FLOOR CONNECTION**



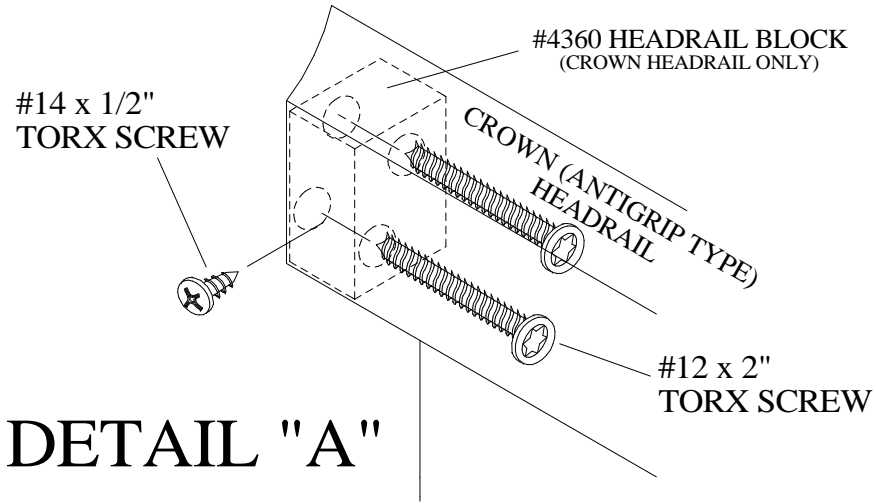
**PANEL TO PILASTER  
ATTACHMENT DETAIL**

55" HIGH PANELS & DOORS

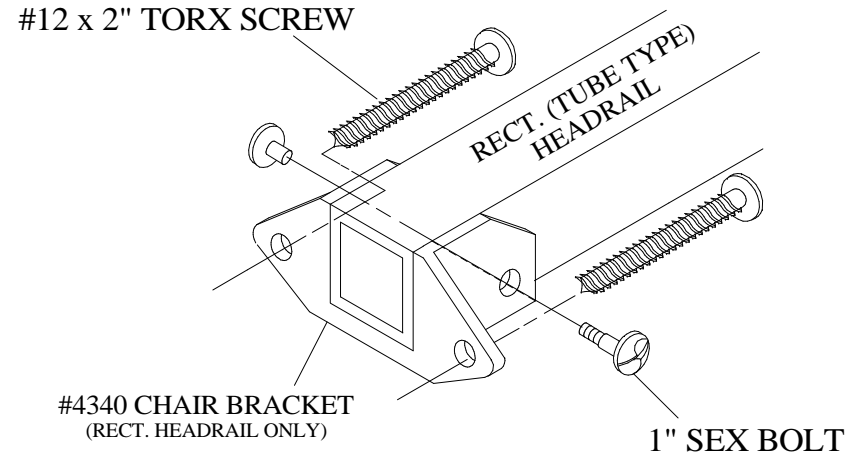


**GENERAL PARTITIONS** Mfg. Corp.  
 1702 Peninsula Drive, Erie PA  
 P.O. Box 8370, Erie, PA 16505-0370  
 Phone (814) 833-1154 FAX (814) 838-3473

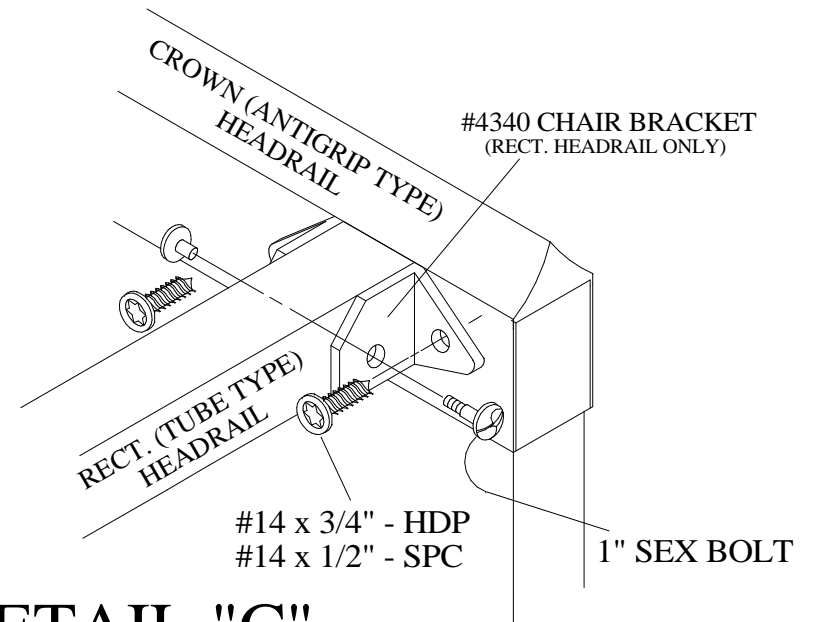
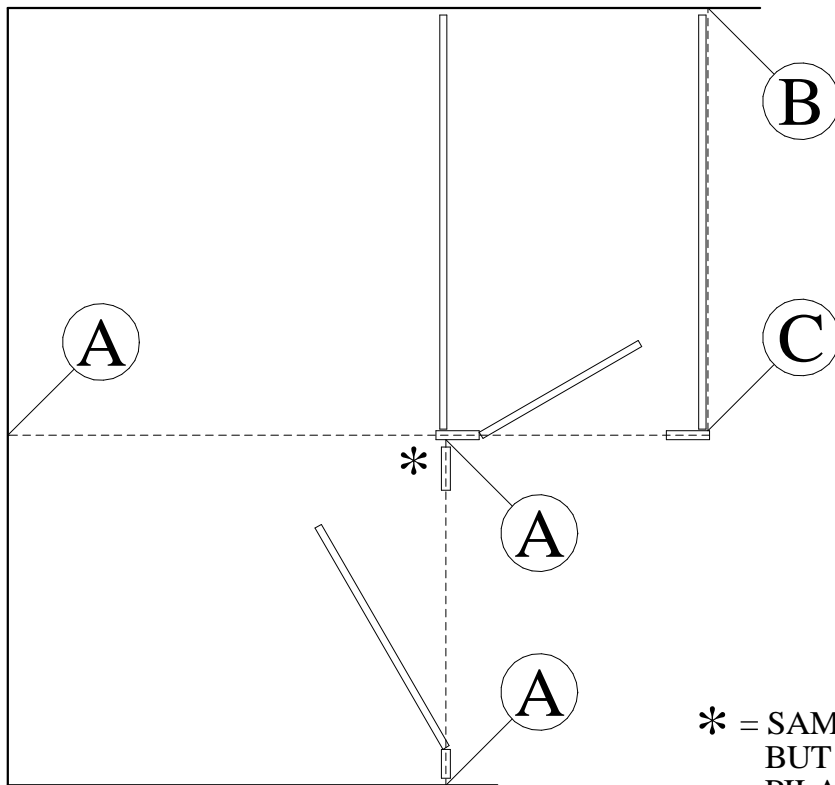
# **HEADRAIL INSTALLATION DETAIL**



**DETAIL "A"**



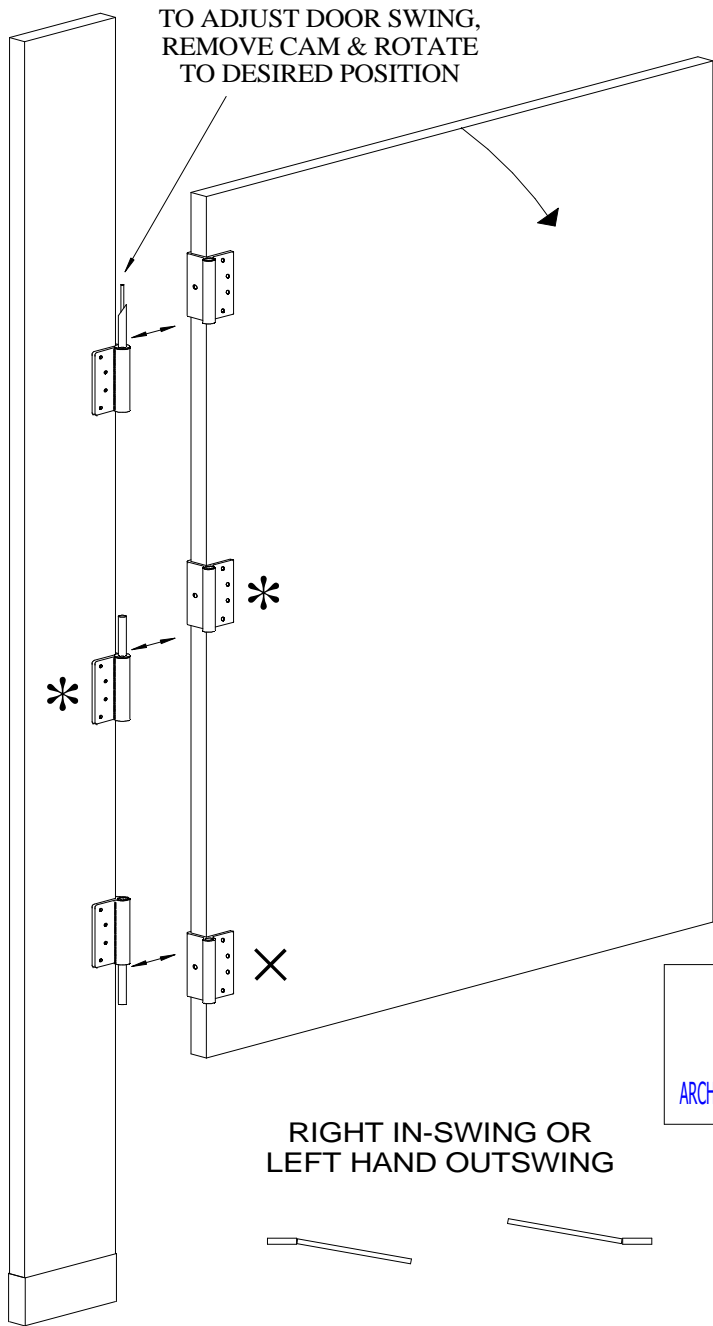
**DETAIL "B"**



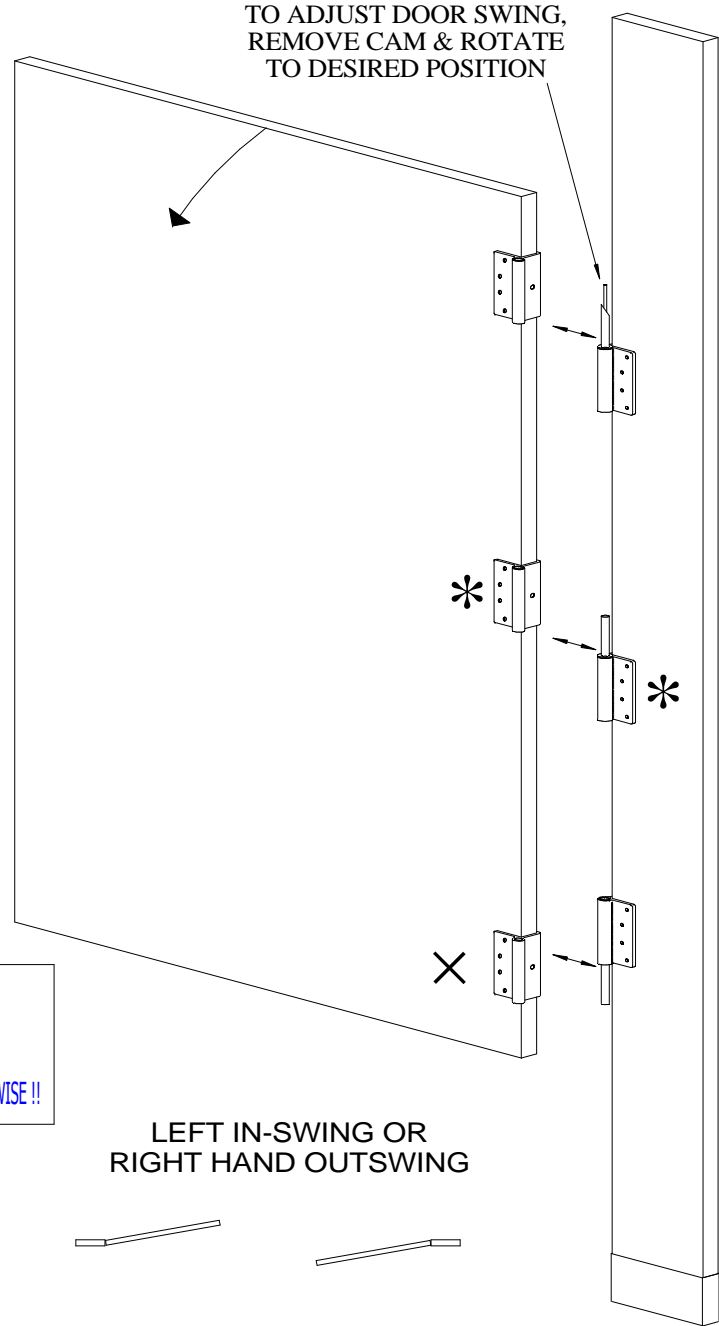
**DETAIL "C"**

\* = SAME CONNECTION AS DETAIL "A"  
BUT USE #14 x 1" SCREWS INTO  
PILASTER





RIGHT IN-SWING OR  
LEFT HAND OUTSWING



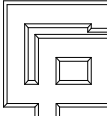
LEFT IN-SWING OR  
RIGHT HAND OUTSWING

INSTALLER NOTE:  
ADJUST THE HANDICAPPED DOORS  
TO THE CLOSED POSITION UNLESS THE  
ARCHITECTURAL SPECIFICATIONS STATE OTHERWISE !!

\* NOTE: DOORS SMALLER THAN 30"  
ONLY HAVE A TOP AND BOTTOM HINGE  
THE MIDDLE HINGE IS ELIMINATED.

X NOTE: SECURE BOTTOM DOOR HINGE  
AFTER DOOR IS HUNG ON PILASTER

Drawn by: SPS 12/29/03 1500AL HINGE SWING (HDP)



**GENERAL PARTITIONS** Mfg. Corp.  
1702 Peninsula Drive, Erie PA  
P.O. Box 8370, Erie, PA 16505-0370  
Phone (814) 833-1154 FAX (814) 838-3473

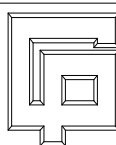
LEFT HAND INSWING OR  
RIGHT HAND OUTSWING

ROTATE CAM FOR  
DOOR ADJUSTMENT

\* CENTER HINGE REQUIRED  
FOR DOORS WIDER THAN  
30" ONLY.

PILASTER

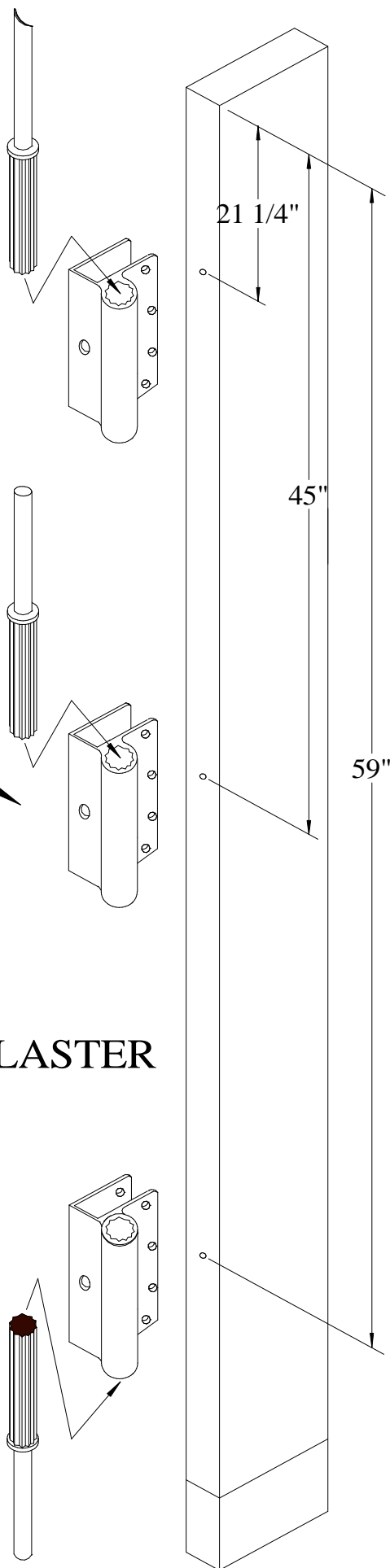
55" HIGH DOORS



**GENERAL  
PARTITIONS** Mfg. Corp.

1702 Peninsula Drive, Erie PA  
P.O. Box 8370, Erie, PA 16505-0370  
Phone (814) 833-1154 FAX (814) 838-3473

PILASTER DRILLING TEMPLATE DETAIL



LEFT HAND INSWING OR  
RIGHT HAND OUTSWING

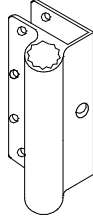
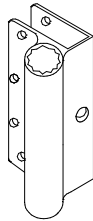
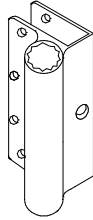
TOP  
OF  
DOOR

4"

27 1/2"

DOOR

23 1/2"

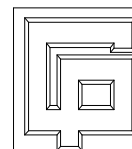


CENTER HINGE REQUIRED  
FOR DOORS WIDER THAN  
30" ONLY.

SECURE BOTTOM DOOR  
HINGE AFTER DOOR IS  
HUNG ON PILASTER.

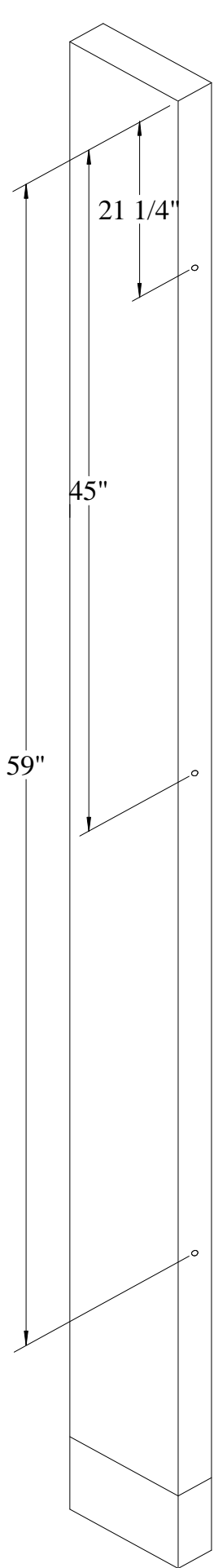
55" HIGH DOORS

DOOR DRILLING TEMPLATE DETAIL

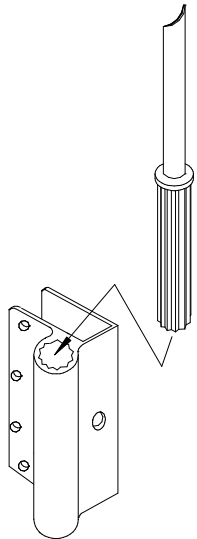


**GENERAL  
PARTITIONS** Mfg. Corp.

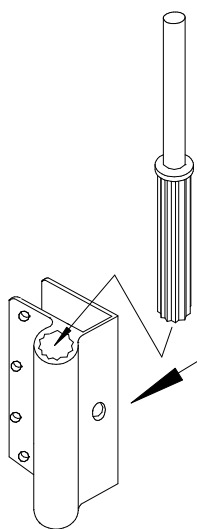
1702 Peninsula Drive, Erie PA  
P.O. Box 8370, Erie, PA 16505-0370  
Phone (814) 833-1154 FAX (814) 838-3473



RIGHT HAND INSWING OR  
LEFT HAND OUTSWING

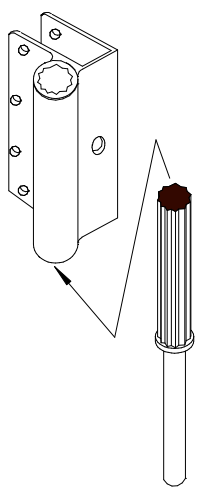


ROTATE CAM FOR  
DOOR ADJUSTMENT



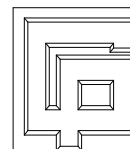
\*  
CENTER HINGE REQUIRED FOR  
DOORS WIDER THAN 30" ONLY.

**PILASTER**



**55" HIGH DOORS**

**PILASTER DRILLING TEMPLATE DETAIL**



**GENERAL PARTITIONS** Mfg. Corp.  
1702 Peninsula Drive, Erie PA  
P.O. Box 8370, Erie, PA 16505-0370  
Phone (814) 833-1154 FAX (814) 838-3473

RIGHT HAND INSWING OR  
LEFT HAND OUTSWING

TOP  
OF  
DOOR



4"

27 1/2"

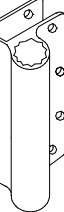
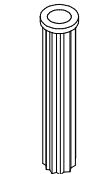
CENTER HINGE REQUIRED  
FOR DOORS WIDER THAN  
30" ONLY.



DOOR

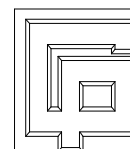
23 1/2"

SECURE BOTTOM DOOR  
HINGE AFTER DOOR IS  
HUNG ON PILASTER.

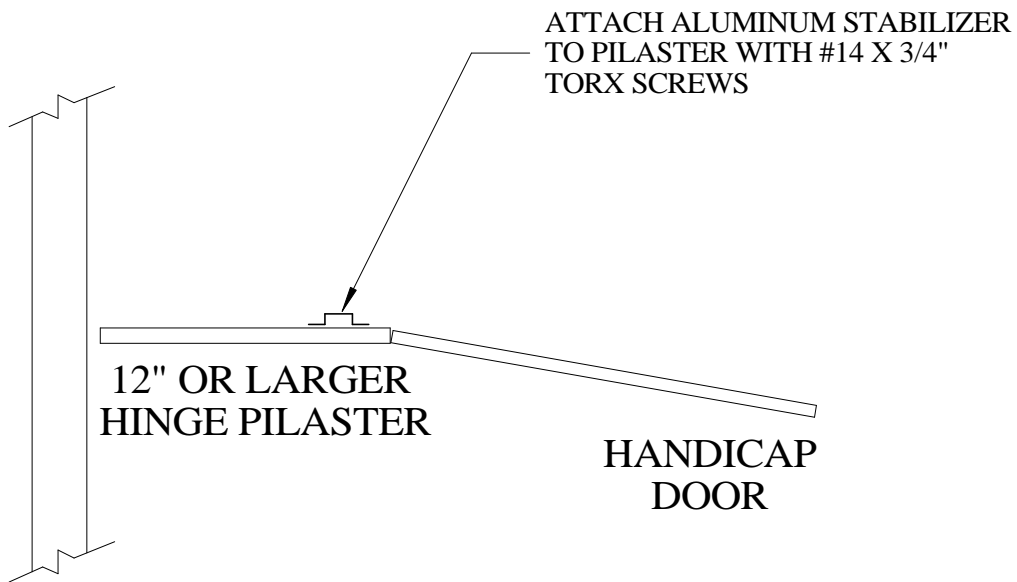


55" HIGH DOORS

DOOR DRILLING TEMPLATE DETAIL



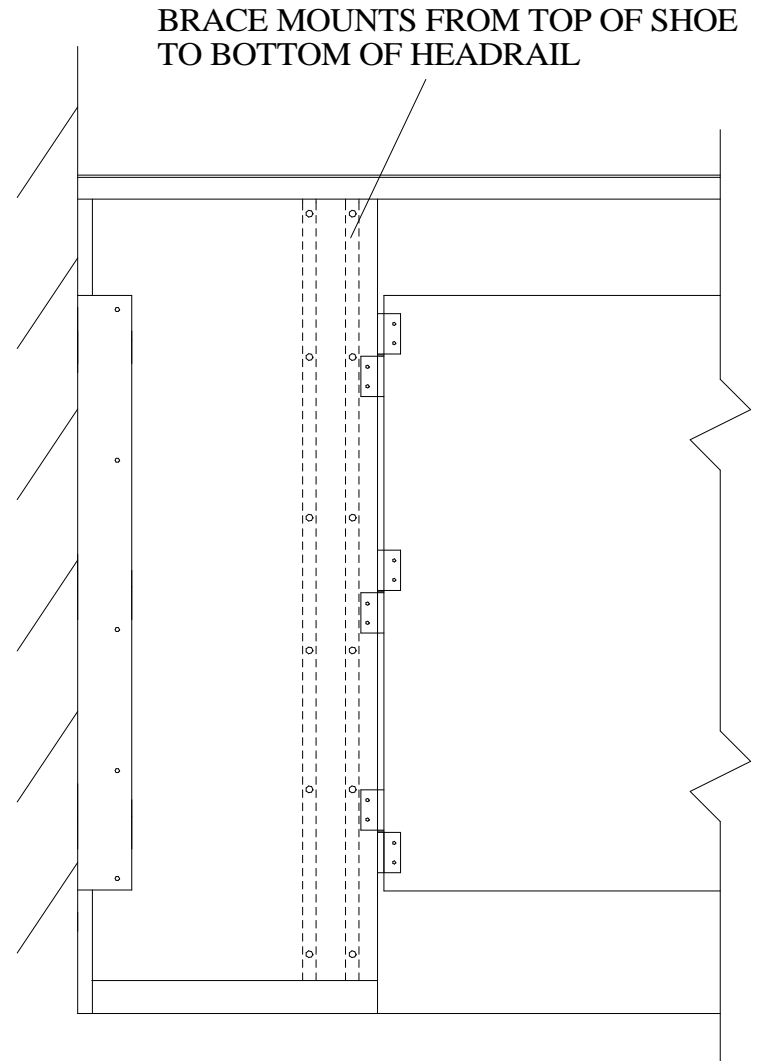
**GENERAL  
PARTITIONS** Mfg. Corp.  
1702 Peninsula Drive, Erie PA  
P.O. Box 8370, Erie, PA 16505-0370  
Phone (814) 833-1154 FAX (814) 838-3473



**TOP VIEW**

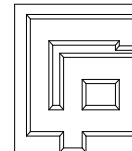
**INSTALLER NOTE !!!**

**FAILURE TO INSTALL STABILIZER  
WILL VOID WARRANTY !!**

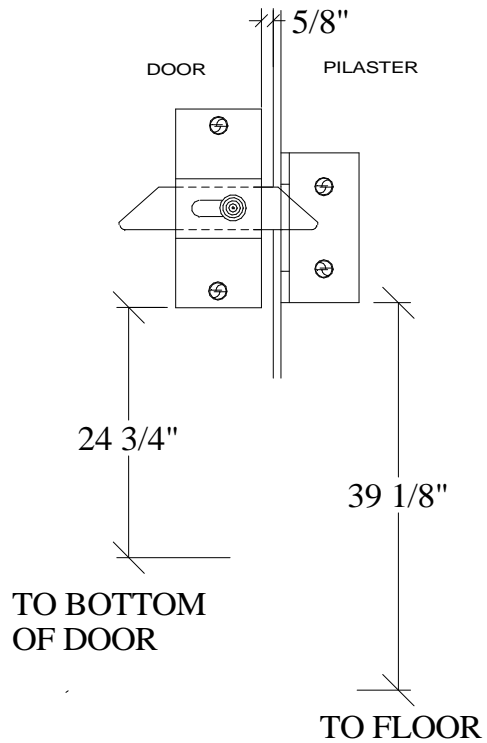


**FRONT ELEVATION**

**OVERSIZED HINGE PILASTERS  
INSTALLATION DETAIL**



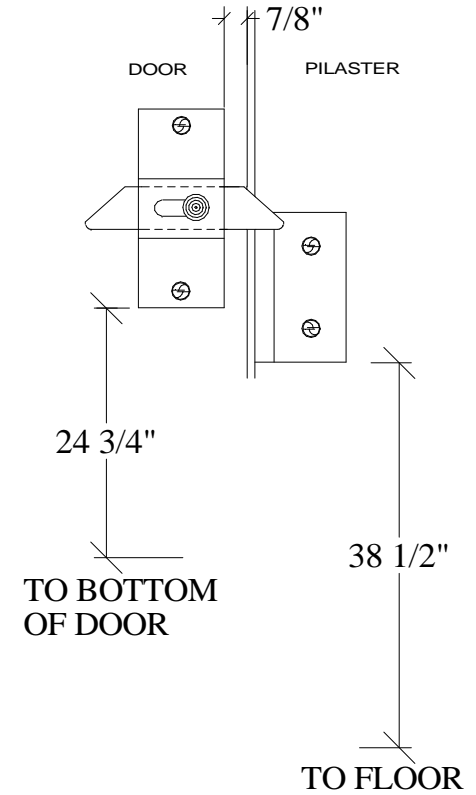
**GENERAL  
PARTITIONS** Mfg. Corp.  
1702 Peninsula Drive, Erie PA  
P.O. Box 8370, Erie, PA 16505-0370  
Phone (814) 833-1154 FAX (814) 838-3473



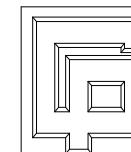
## INSWING DOORS

55" HIGH DOORS

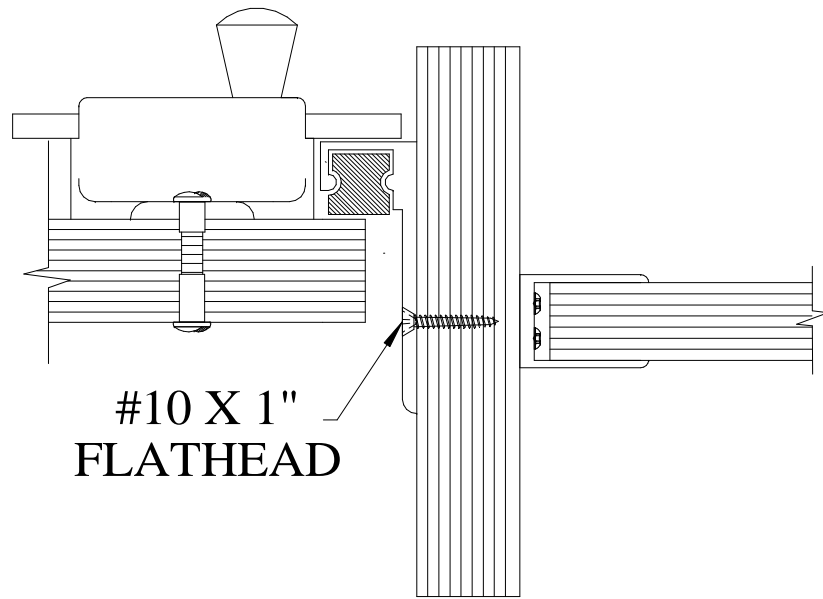
SLIDE LATCH & KEEPER  
MOUNTING LOCATIONS



## OUTSWING DOORS

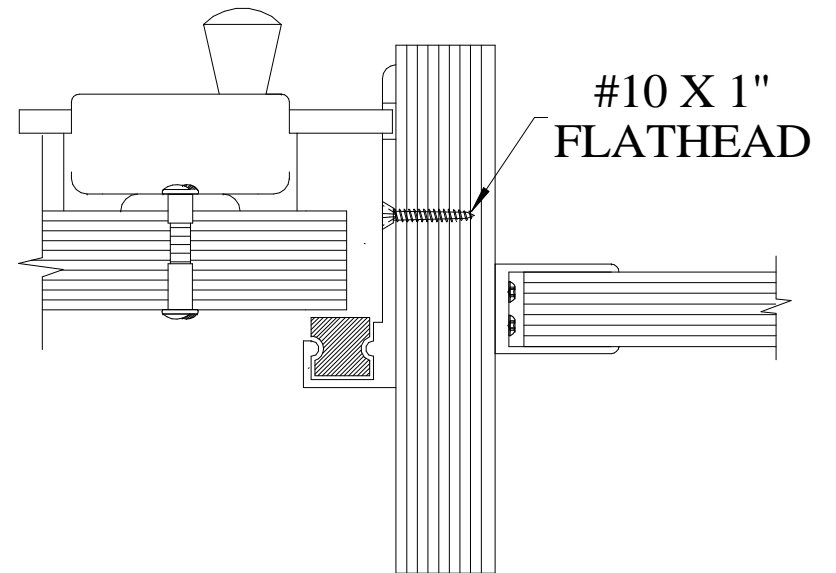


**GENERAL PARTITIONS** Mfg. Corp.  
1702 Peninsula Drive, Erie PA  
P.O. Box 8370, Erie, PA 16505-0370  
Phone (814) 833-1154 FAX (814) 838-3473



#10 X 1"  
FLATHEAD

OUTSWING DOOR

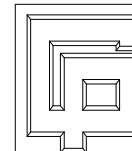


#10 X 1"  
FLATHEAD

INSWING DOOR

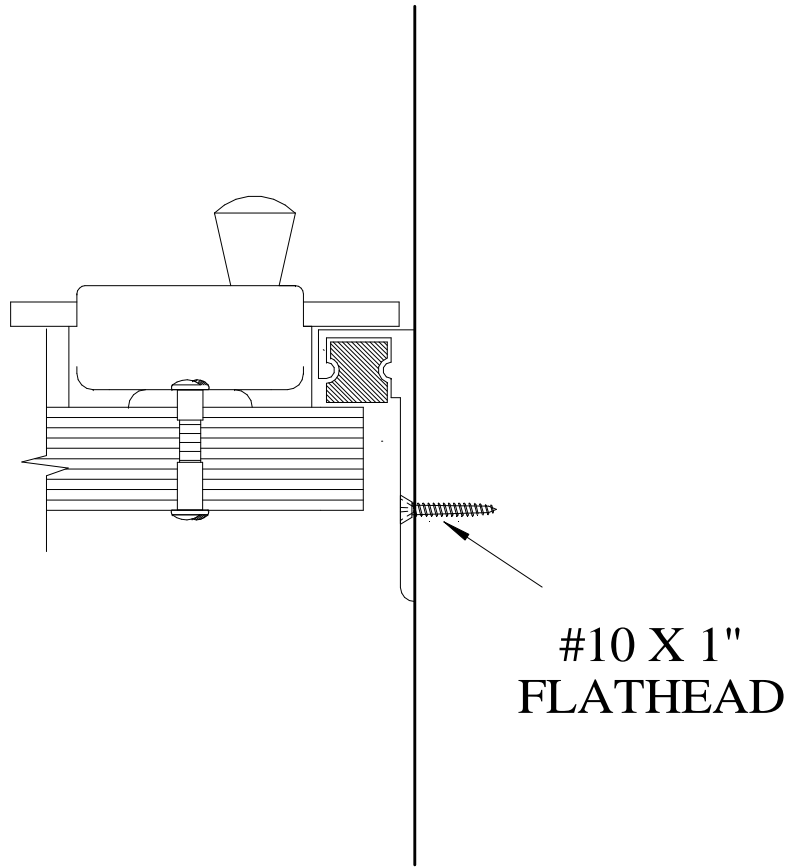
## ***FLATBACK STRIKE DETAIL***

FLATBACK STRIKE DETAIL



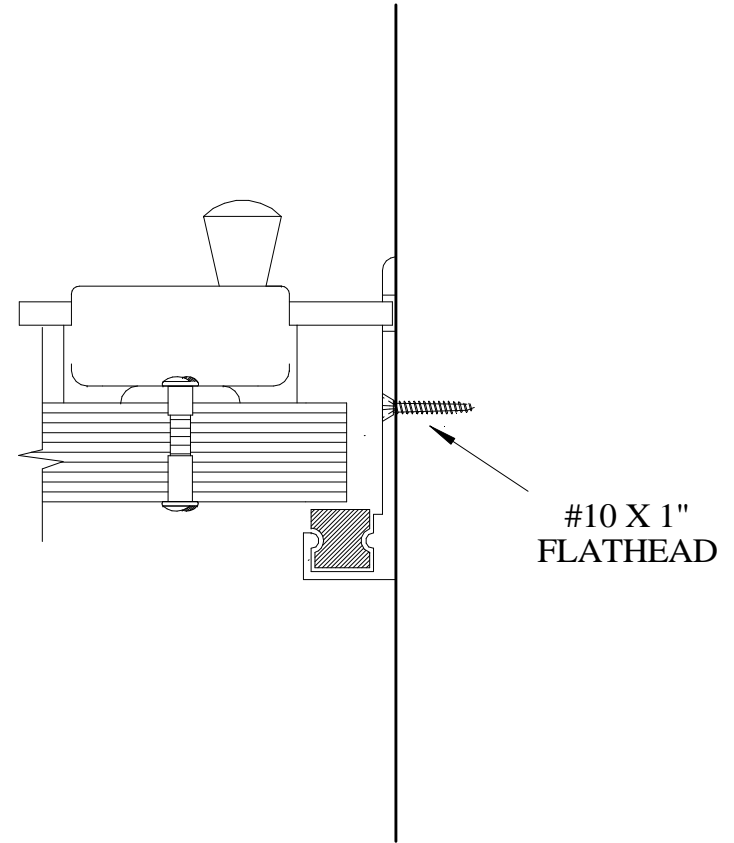
**GENERAL  
PARTITIONS** Mfg. Corp.  
1702 Peninsula Drive, Erie PA  
P.O. Box 8370, Erie, PA 16505-0370  
Phone (814) 833-1154 FAX (814) 838-3473





#10 X 1"  
FLATHEAD

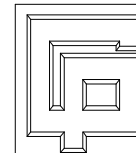
OUTSWING DOOR



#10 X 1"  
FLATHEAD

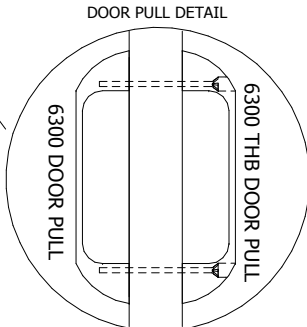
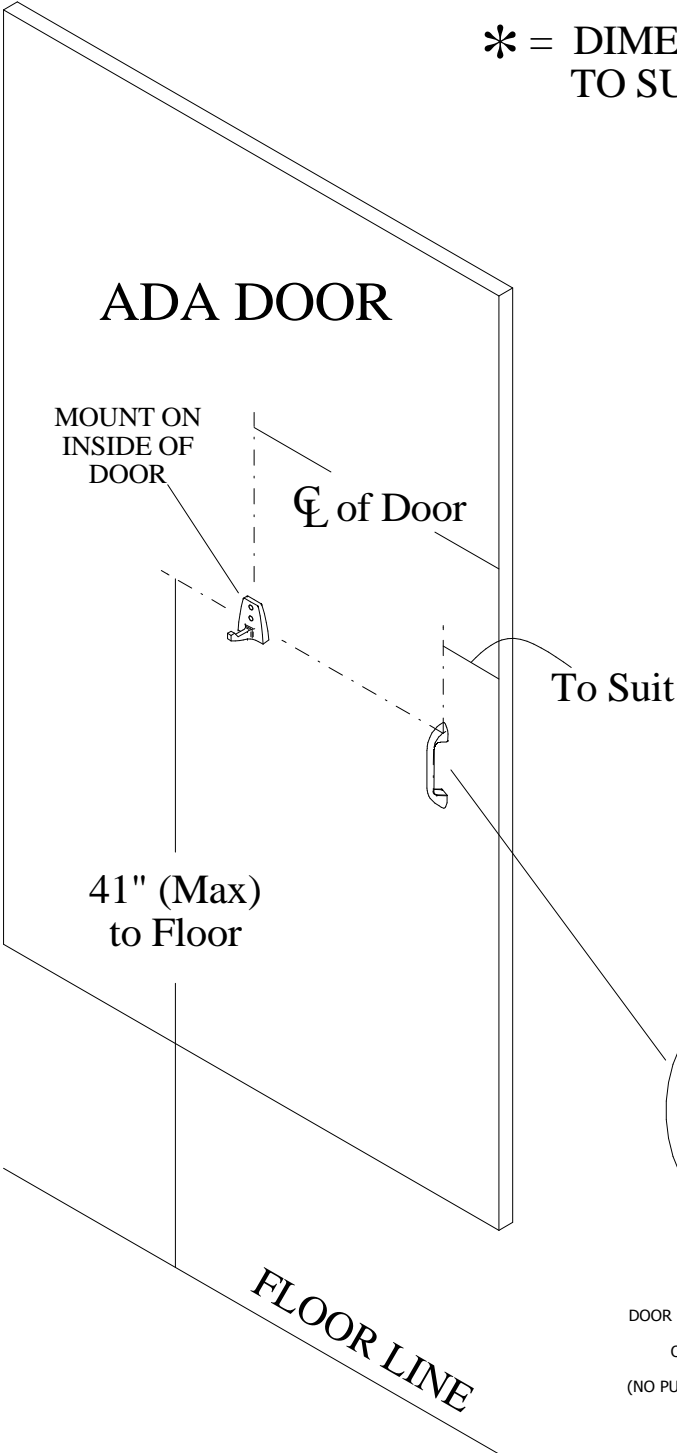
INSWING DOOR

FLATBACK STRIKE DETAIL

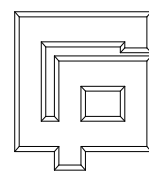
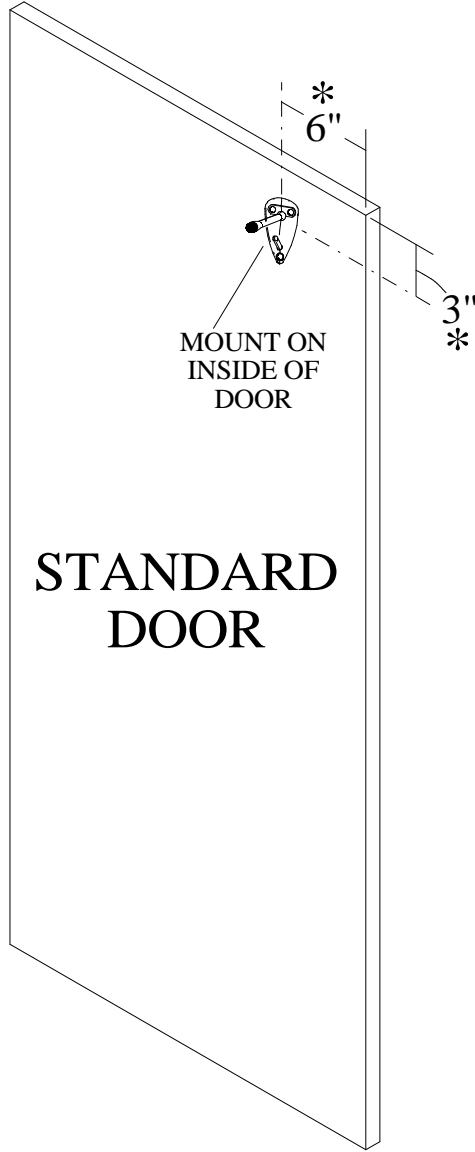


**GENERAL  
PARTITIONS** Mfg. Corp.  
1702 Peninsula Drive, Erie PA  
P.O. Box 8370, Erie, PA 16505-0370  
Phone (814) 833-1154 FAX (814) 838-3473

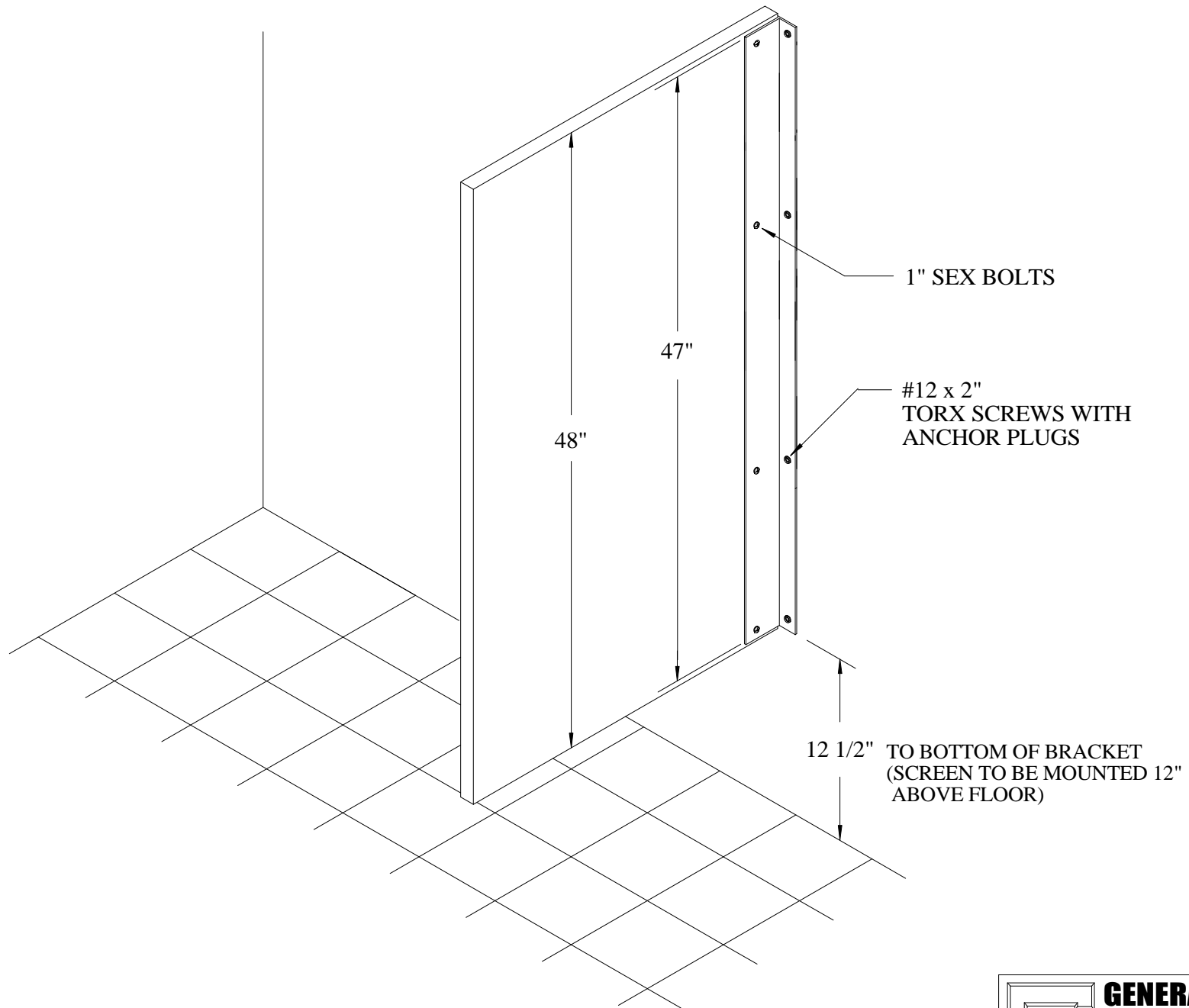
\* = DIMENSION CAN VARY TO SUIT JOB CONDITION



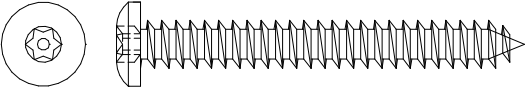
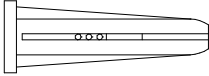
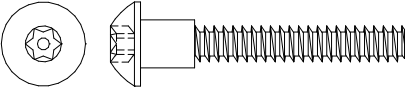
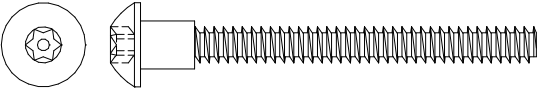
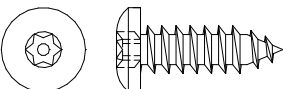
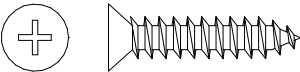
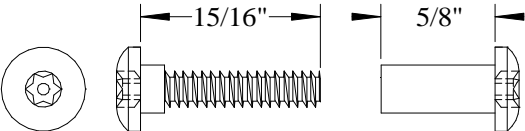
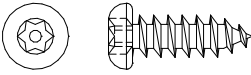
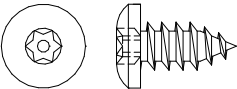
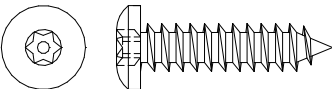
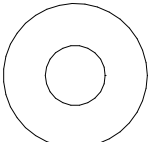
MOUNT DOOR PULLS NO HIGHER THAN 41" ABOVE FINISHED FLOOR.  
 DOOR PULLS ARE REQUIRED ON INSIDE & OUTSIDE OF A.D.A. (HANDICAPPED) DOORS.  
 ONLY ONE PULL PROVIDED FOR OUTSWING STANDARD DOORS.  
 (NO PULL REQUIRED FOR INSWING STANDARD DOORS)



**GENERAL PARTITIONS** Mfg. Corp.  
 1702 Peninsula Drive, Erie PA  
 P.O. Box 8370, Erie, PA 16505-0370  
 Phone (814) 833-1154 FAX (814) 838-3473



WHF-7 URINAL SCREEN DETAIL

	<p>2" STAINLESS STEEL TORX HEAD #12 SCREW- used for bracket-to-wall attachment, pilaster to floor attachment and headrail bracket-to-wall attachment. Drill 1/4" hole.</p>
	<p>PLASTIC ANCHOR- used in conjunction with the 2" x #12 screws.</p>
	<p>1 3/8" STAINLESS STEEL TORX #10 MALE MACHINE BOLT- used for attachment of standard door pull and slide latch on outswing doors only. Drill 1/4" hole.</p>
	<p>2 1/16" STAINLESS STEEL TORX #10 MALE MACHINE BOLT- used for attachment of ADA door pulls. Drill 1/4" hole.</p>
	<p>3/4" STAINLESS STEEL TORX HEAD #14 SCREW- used for continuous wall brackets on back of pilasters, shoe to pilaster, and back of headrail at top of pilaster. Drill 3/16" hole.</p>
	<p>1" STEEL #10 HINGE SCREW- used for securing the hinges to the edges of the pilasters. Drill 1/8" hole.</p>
	<p>1" STAINLESS STEEL TORX #10 THRU-BOLT- used for bracket-to-panel, bracket-to-pilaster, headrail-to-chair bracket, and the following door hardware: hinges, latches, strikes and keepers. Drill 1/4" hole.</p>
	<p>5/8" STAINLESS STEEL #10 TORX SCREW- used for attaching the coat hook and for attachment of the wall stop on outswing doors. Drill 1/8" hole.</p>
	<p>1/2" STAINLESS STEEL #14 TORX SCREW- used for attachment of anti-grip headrail to headrail block. Drill 3/16" hole.</p>
	<p>#14 x 1" TORX SCREW- used for attachment of headrail block to pilaster at alcove connection. Drill 3/16" hole.</p>
	<p>1/4" x 3/4" x 1/16" STAINLESS STEEL WASHER- used for attachment of floor plate.</p>