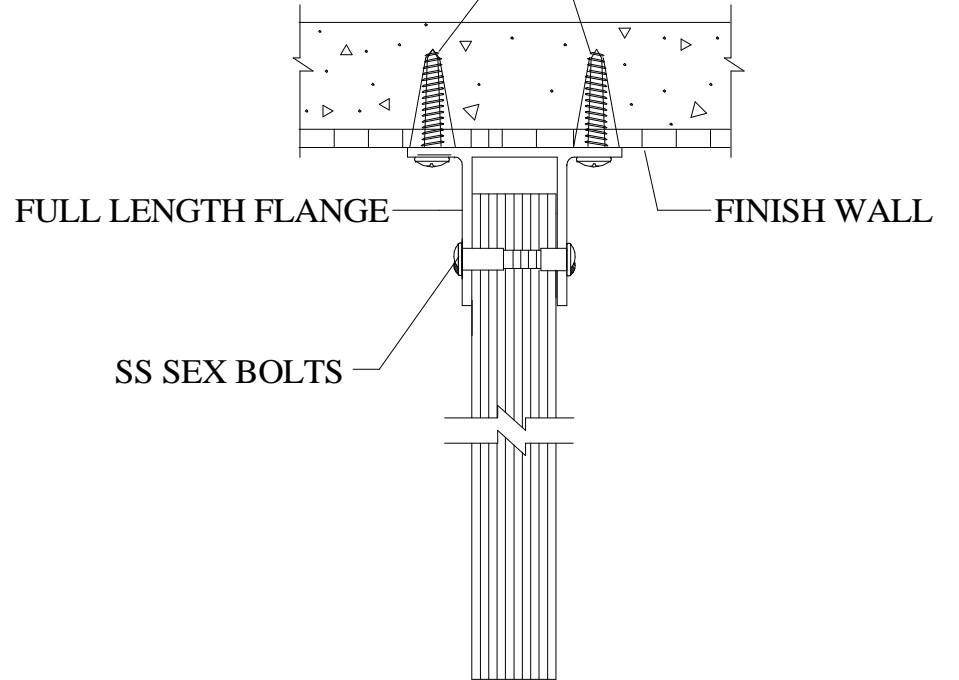
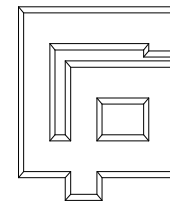


#12 X 2" S.S. SCREWS  
WITH ANCHOR PLUGS



WHF-7 HDP. FLANGED URINAL SCREEN



**GENERAL PARTITIONS** Mfg. Corp.

1702 Peninsula Drive, Erie PA  
P.O. Box 8370, Erie, PA 16505-0370  
Phone (814) 833-1154 FAX (814) 838-3473