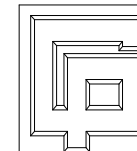
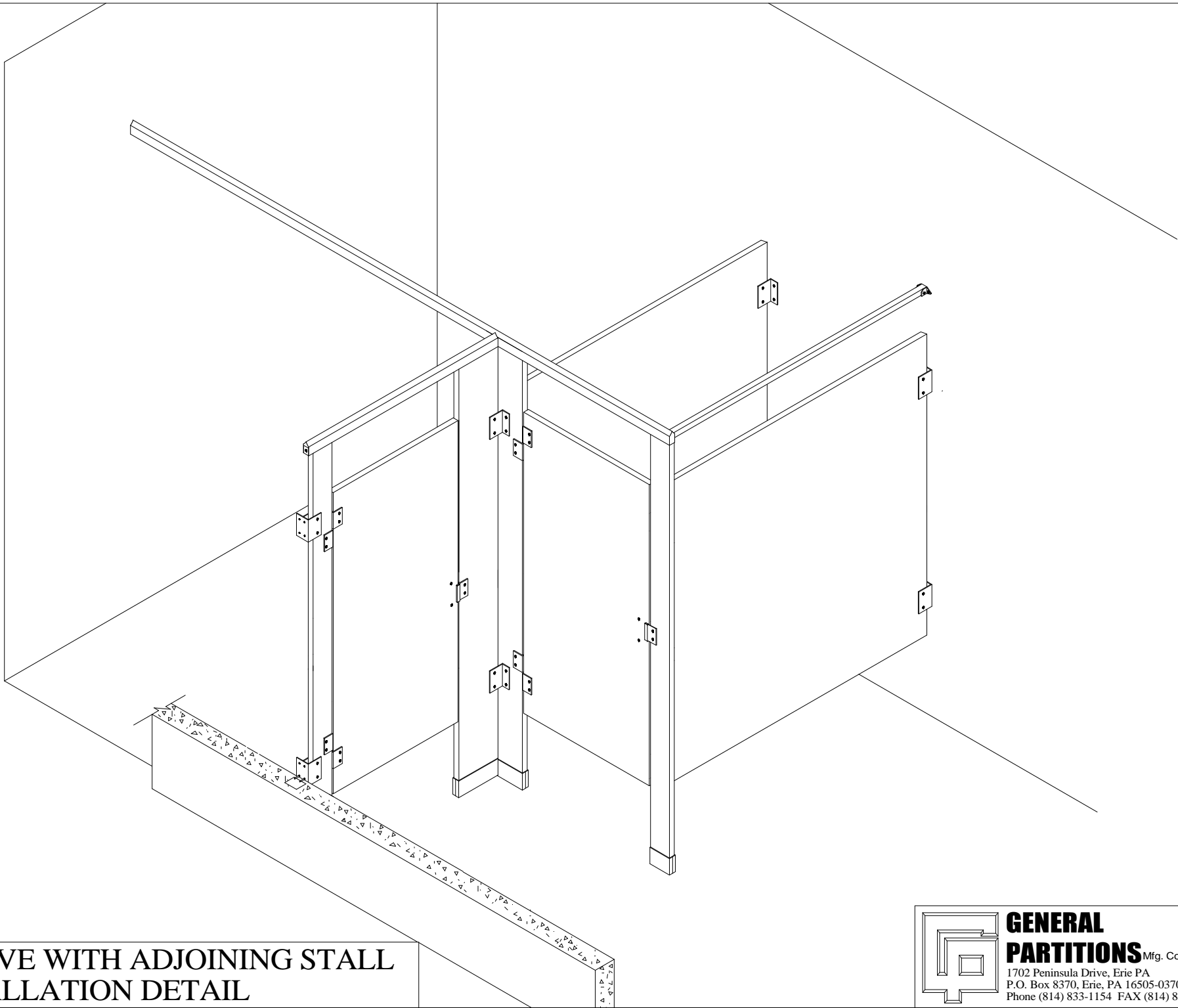


***FRP***

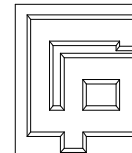
STANDARD STALL  
INSTALLATION DETAIL



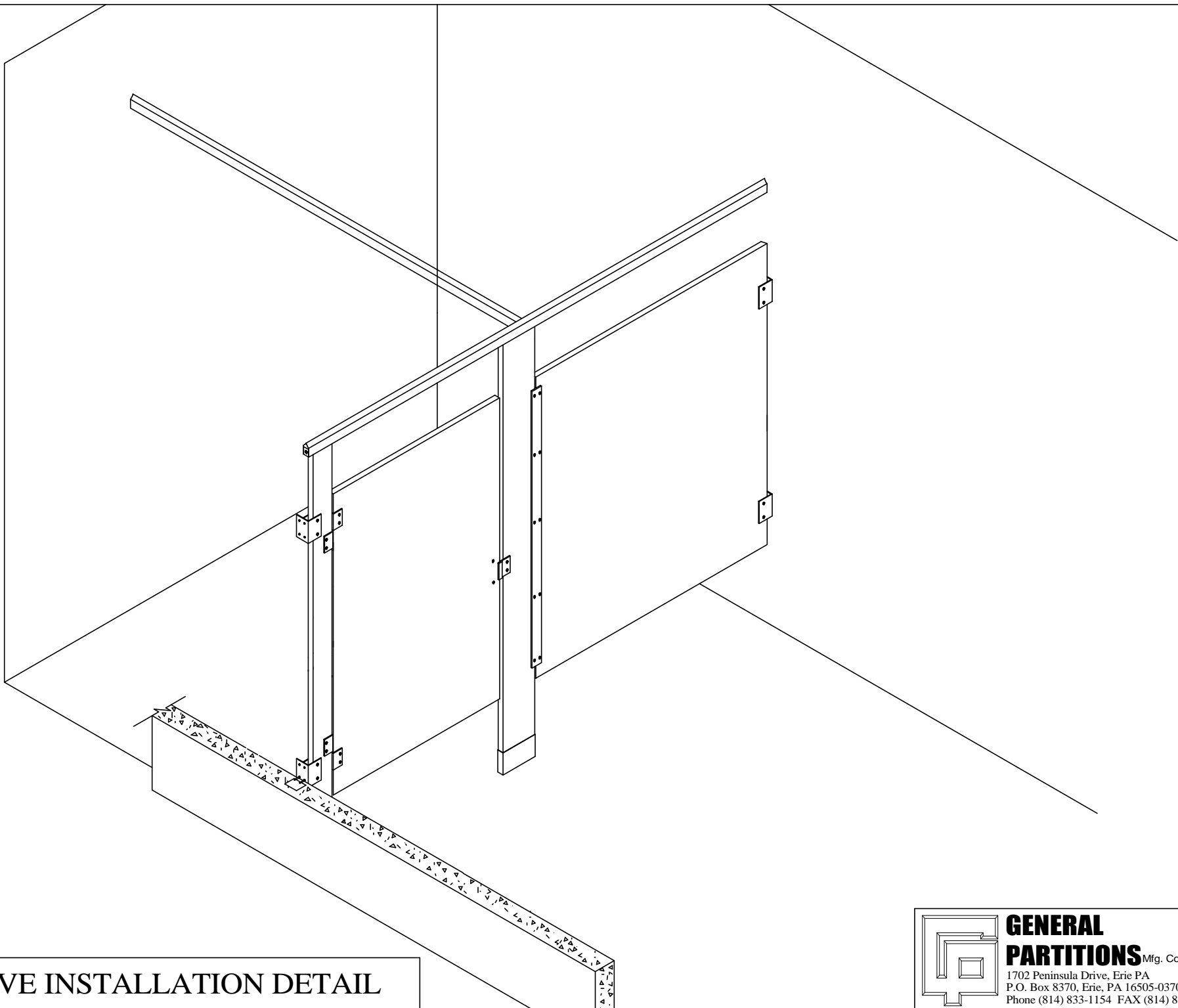
**GENERAL PARTITIONS** Mfg. Corp.  
1702 Peninsula Drive, Erie PA  
P.O. Box 8370, Erie, PA 16505-0370  
Phone (814) 833-1154 FAX (814) 838-3473



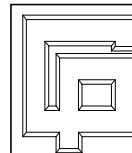
ALCOVE WITH ADJOINING STALL  
INSTALLATION DETAIL



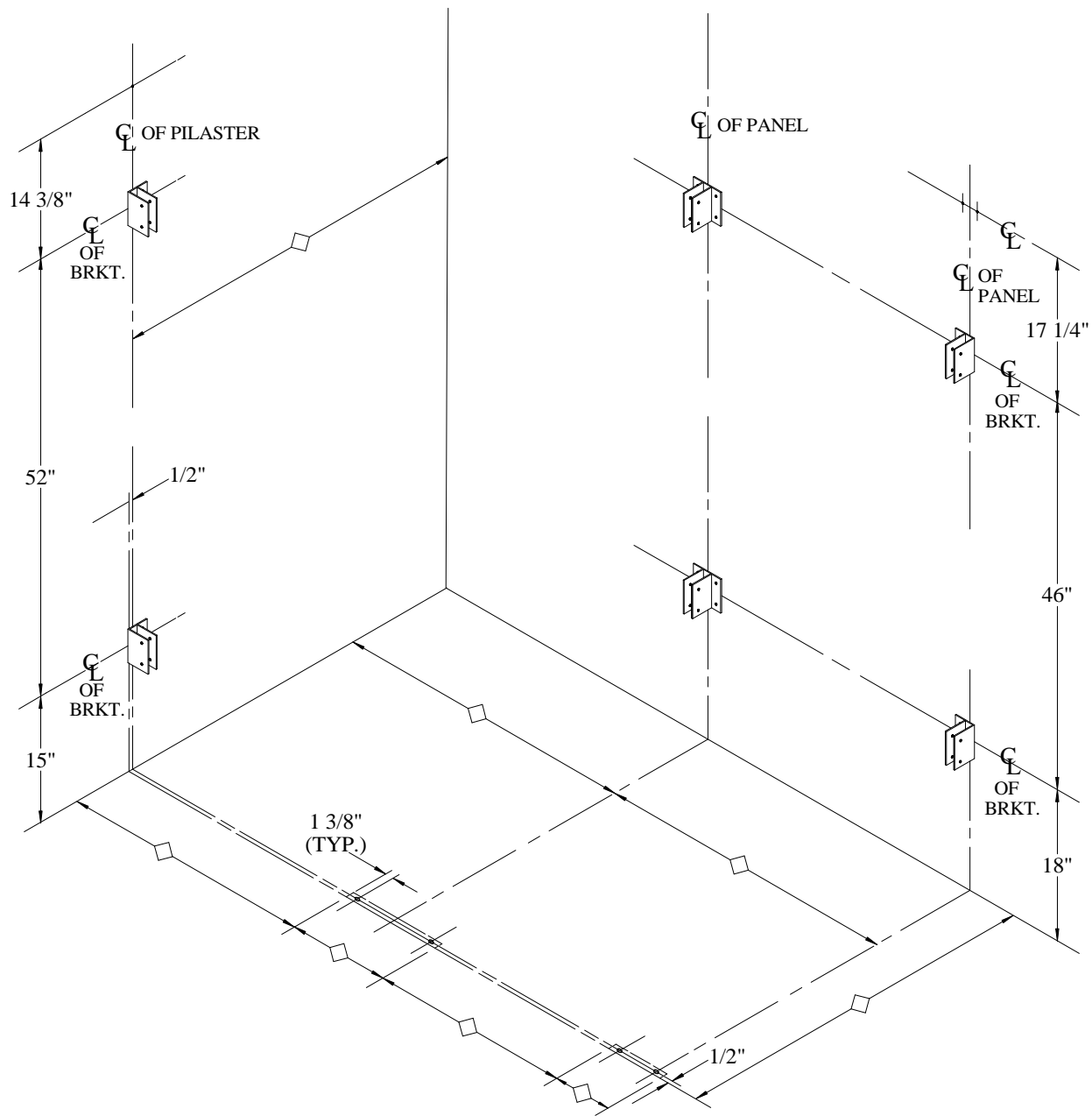
**GENERAL PARTITIONS** Mfg. Corp.  
1702 Peninsula Drive, Erie PA  
P.O. Box 8370, Erie, PA 16505-0370  
Phone (814) 833-1154 FAX (814) 838-3473



ALCOVE INSTALLATION DETAIL

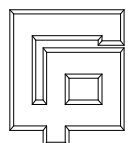


**GENERAL PARTITIONS** Mfg. Corp.  
1702 Peninsula Drive, Erie PA  
P.O. Box 8370, Erie, PA 16505-0370  
Phone (814) 833-1154 FAX (814) 838-3473



**LEGEND**  
 —◇— Obtain From Job Prints.

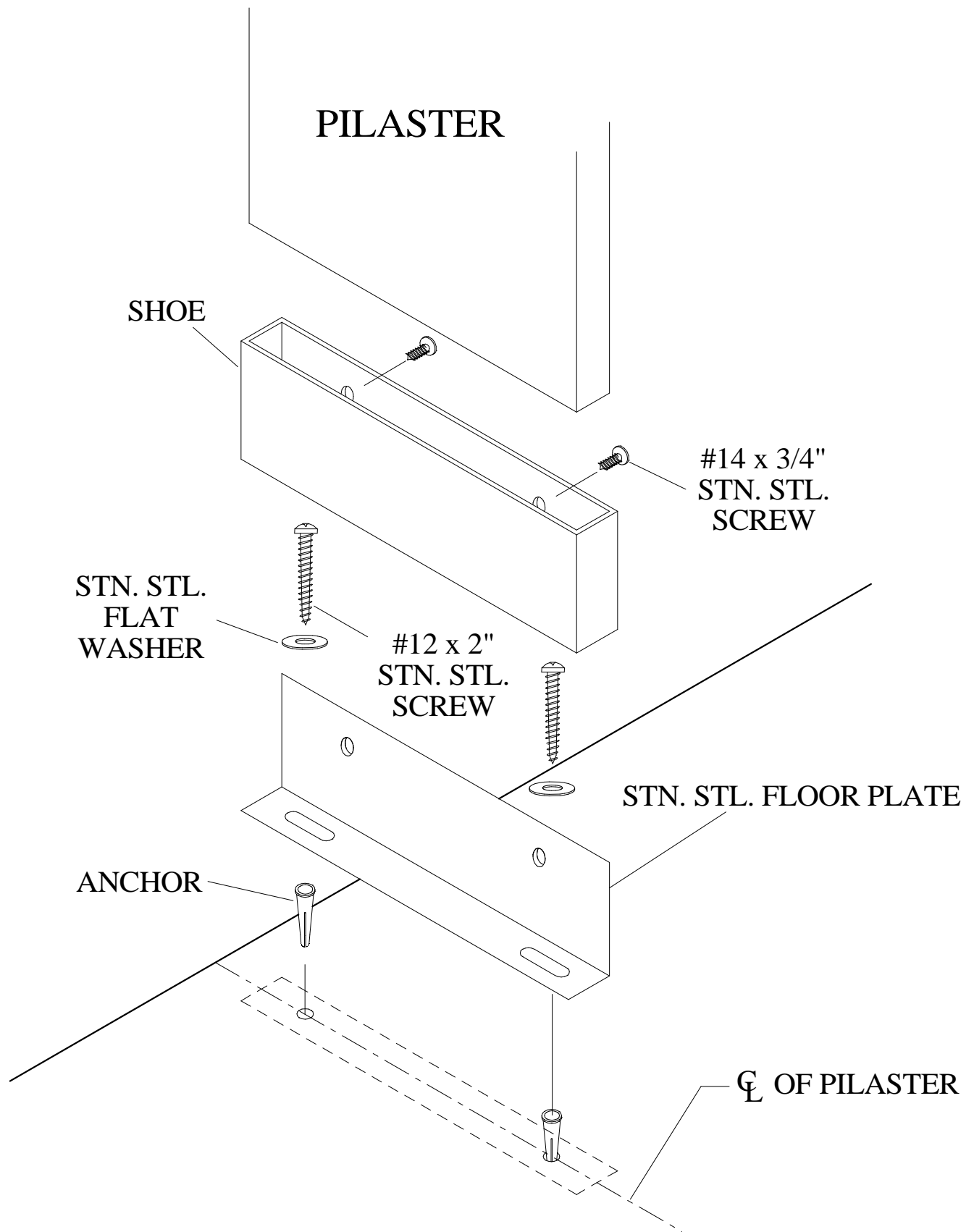
**LAYOUT AND MOUNTING  
 BRACKETS DETAIL**



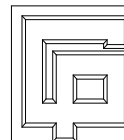
**GENERAL PARTITIONS** Mfg. Corp.  
 1702 Peninsula Drive, Erie PA  
 P.O. Box 8370, Erie, PA 16505-0370  
 Phone (814) 833-1154 FAX (814) 838-3473

## DIMENSIONS FOR DRILLING FLOOR FASTENERS

PILASTER SIZE	NO. OF HOLES	PIL. EDGE TO ℄ OF DRILL	℄ TO ℄ OF DRILL HOLES
2"	1	1"	—
3"	1	1 1/2"	—
4"	2	1 3/8"	1 1/4"
5"	2	1 3/8"	2 1/4"
6"	2	1 3/8"	3 1/4"
8"	2	1 3/8"	5 1/4"
10"	2	1 3/8"	7 1/4"
12"	2	1 3/8"	9 1/4"
14"	2	1 3/8"	11 1/4"
18"	2	1 3/8"	15 1/4"
20"	2	1 3/8"	17 1/4"
22"	2	1 3/8"	19 1/4"
24"	2	1 3/8"	21 1/4"



**40 SERIES FLOOR CONNECTION**

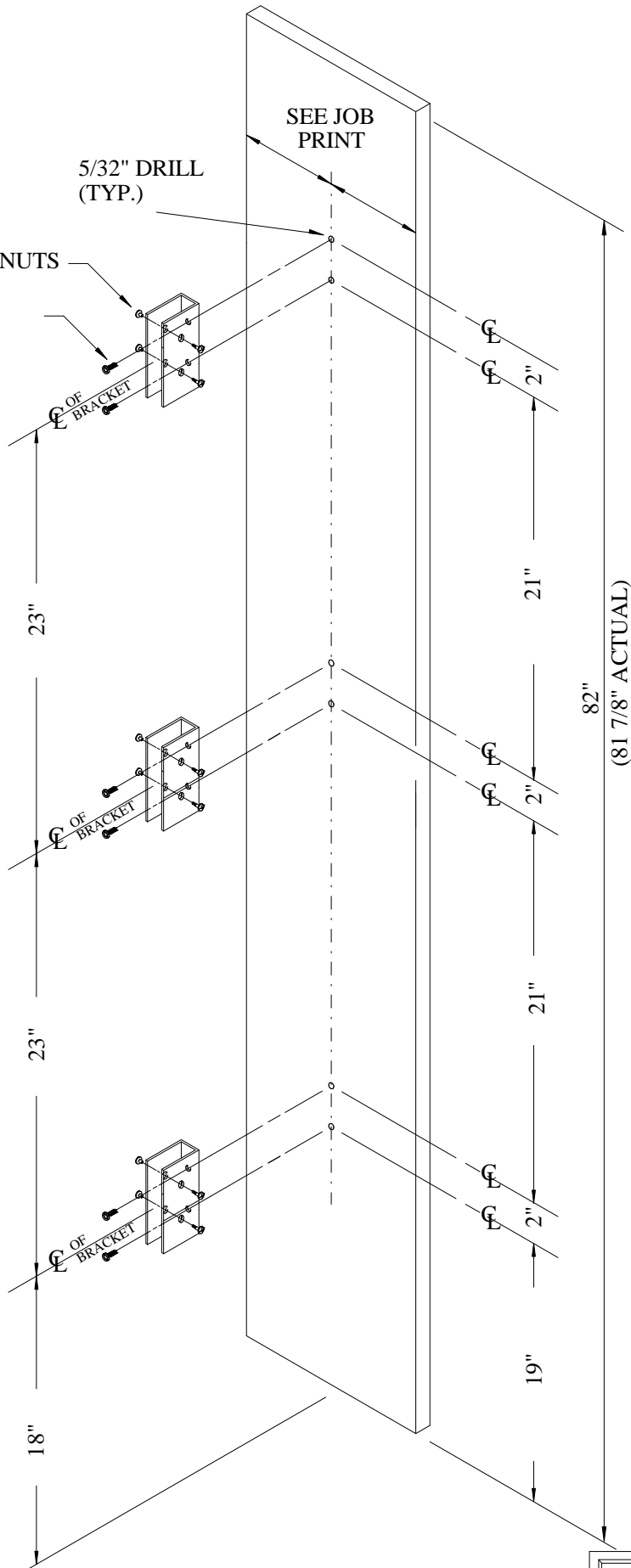


**GENERAL PARTITIONS** Mfg. Corp.  
 1702 Peninsula Drive, Erie PA  
 P.O. Box 8370, Erie, PA 16505-0370  
 Phone (814) 833-1154 FAX (814) 838-3473

5/32" DRILL  
(TYP.)

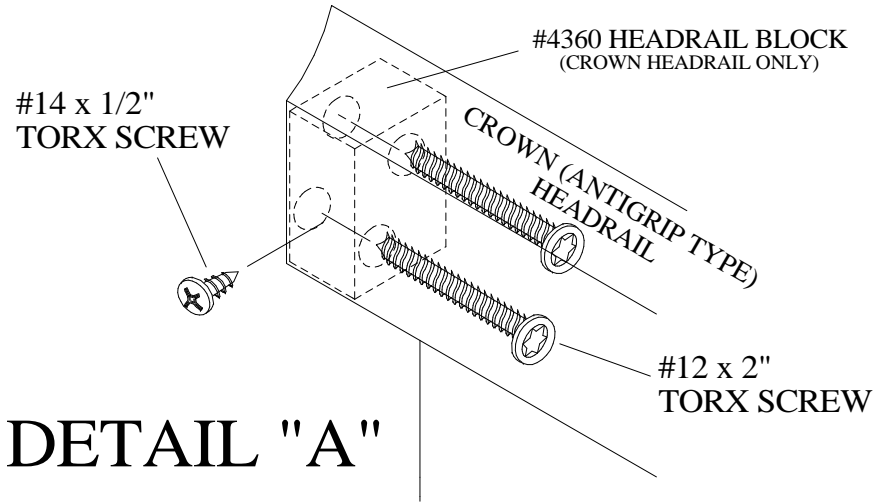
1" SEX BOLTS & NUTS

#14 x 3/4" STN. STL.  
TORX SCREW

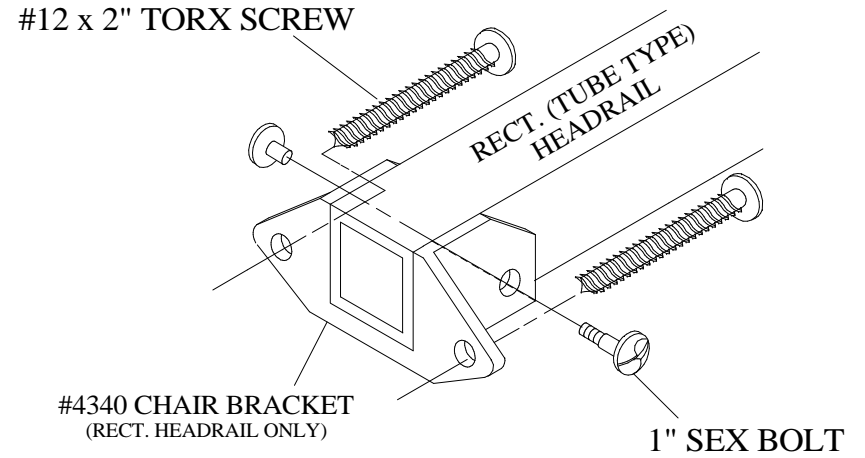


PANEL TO PILASTER  
ATTACHMENT DETAIL

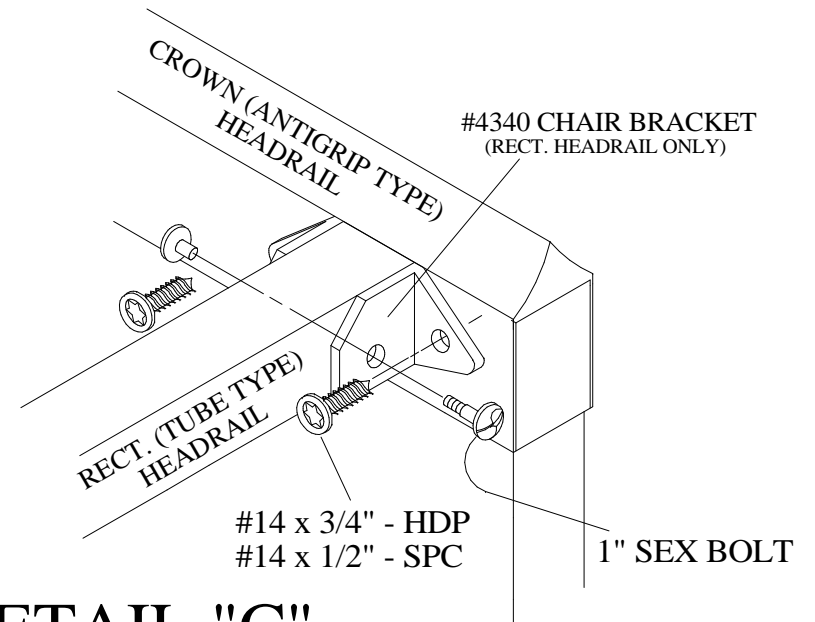
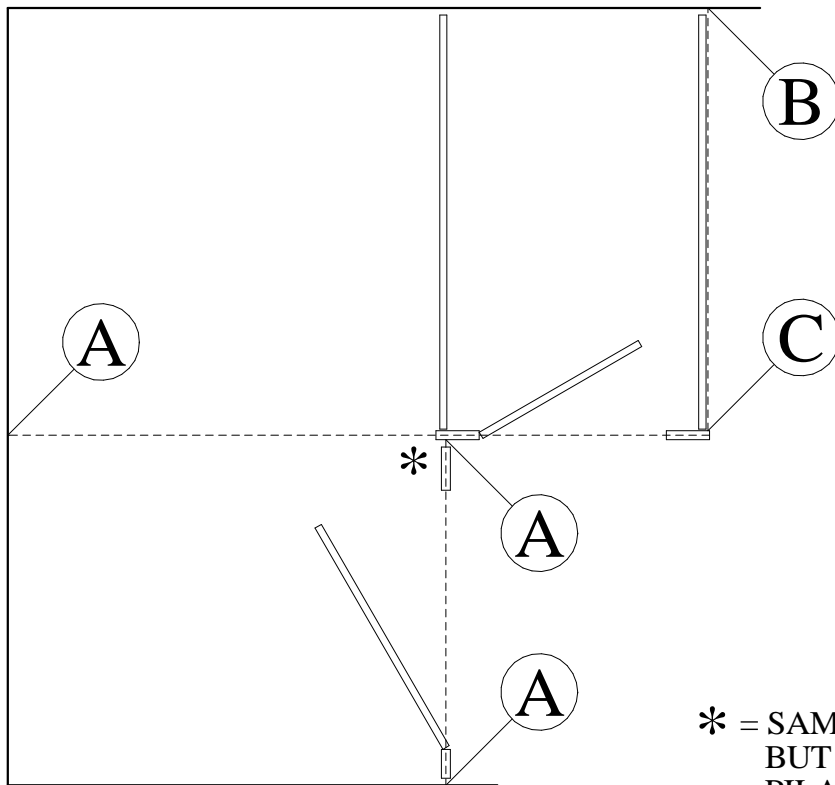
# **HEADRAIL INSTALLATION DETAIL**



**DETAIL "A"**



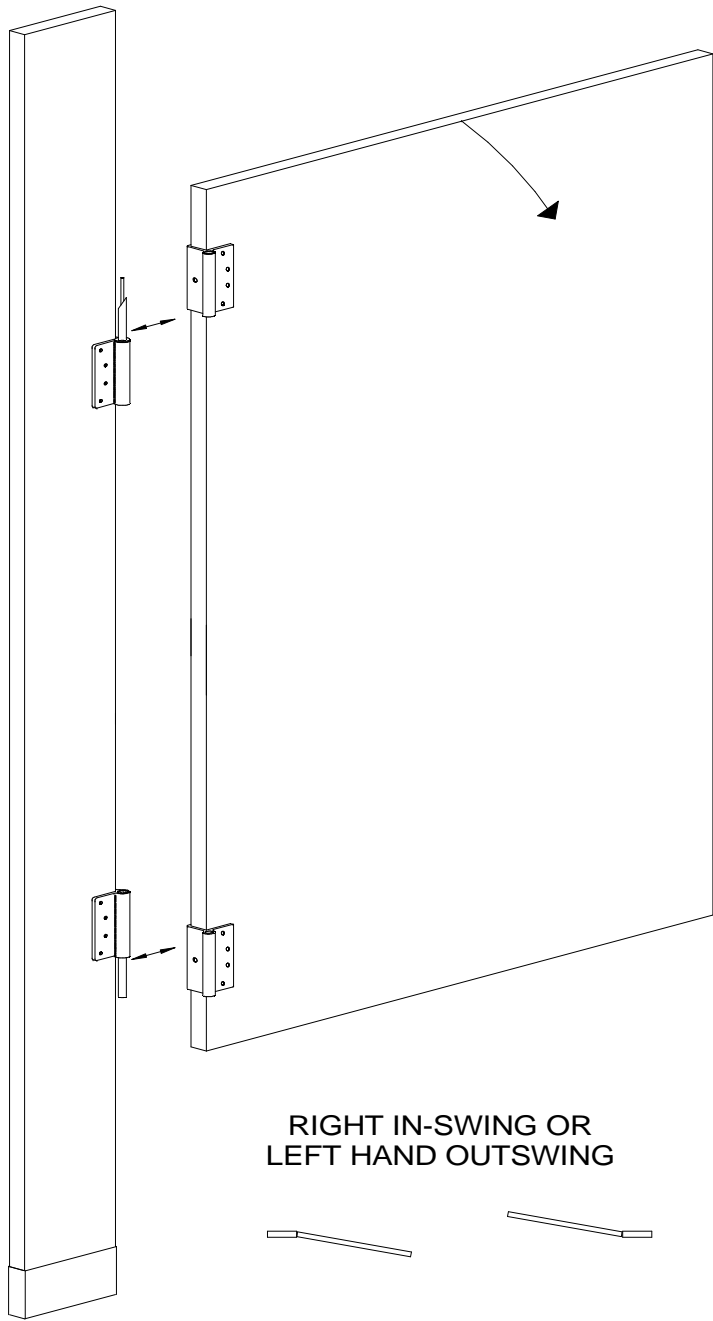
**DETAIL "B"**



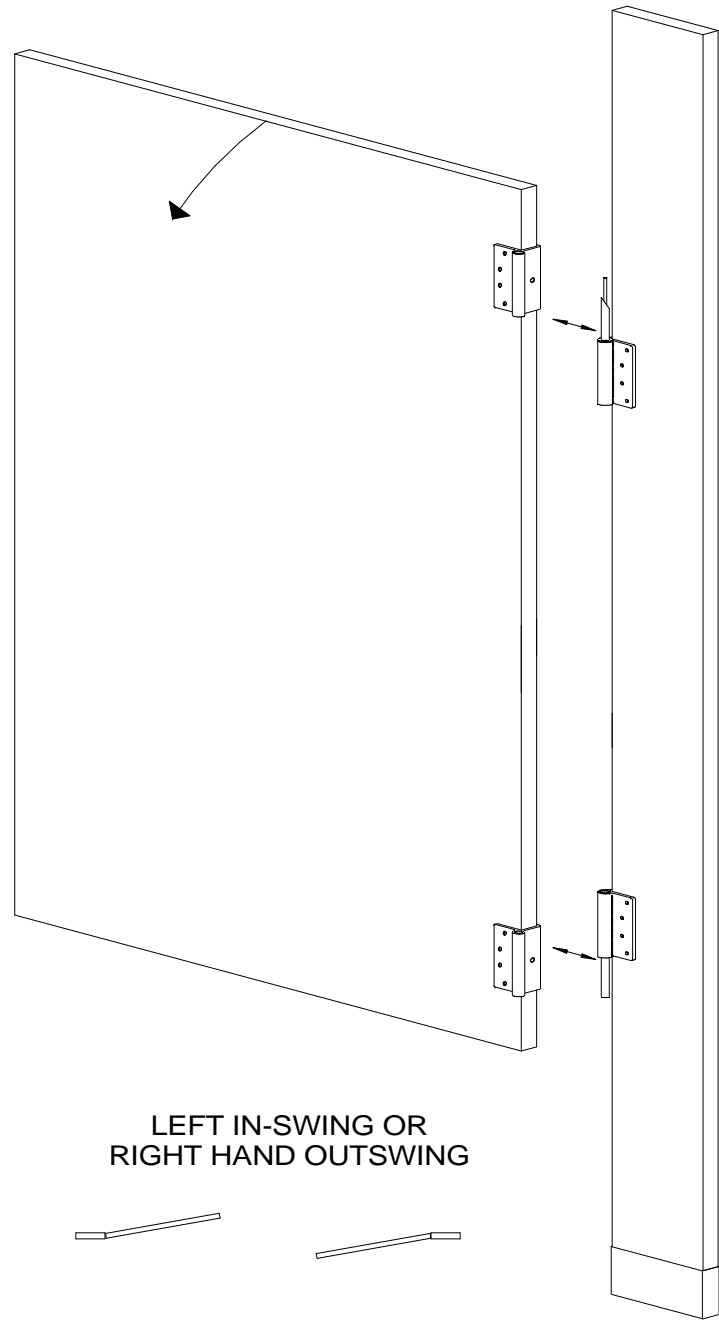
**DETAIL "C"**

\* = SAME CONNECTION AS DETAIL "A"  
BUT USE #14 x 1" SCREWS INTO  
PILASTER





RIGHT IN-SWING OR  
LEFT HAND OUTSWING

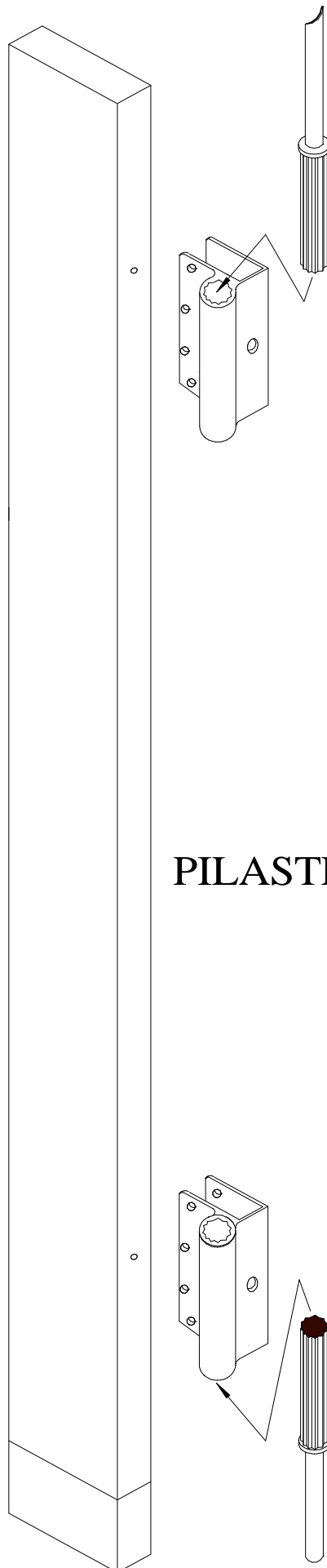


LEFT IN-SWING OR  
RIGHT HAND OUTSWING

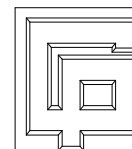
RIGHT HAND INSWING OR  
LEFT HAND OUTSWING

ROTATE CAM FOR  
DOOR ADJUSTMENT

PILASTER



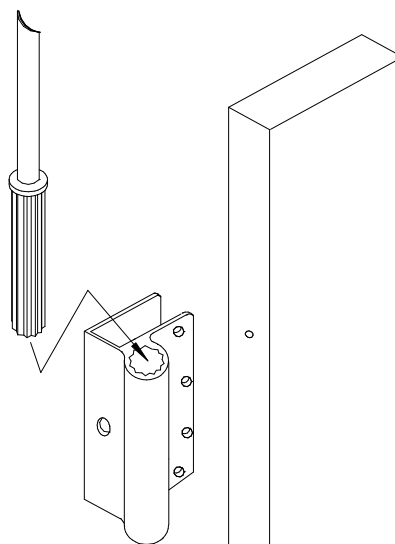
SPC PILASTER HINGE INSERT CONFIGURATION



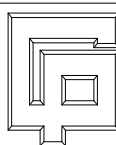
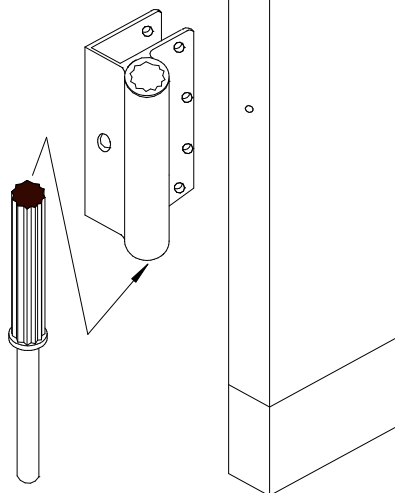
**GENERAL PARTITIONS** Mfg. Corp.  
1702 Peninsula Drive, Erie PA  
P.O. Box 8370, Erie, PA 16505-0370  
Phone (814) 833-1154 FAX (814) 838-3473

LEFT HAND INSWING OR  
RIGHT HAND OUTSWING

ROTATE CAM FOR  
DOOR ADJUSTMENT



PILASTER



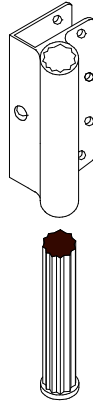
**GENERAL  
PARTITIONS** Mfg. Corp.

1702 Peninsula Drive, Erie PA  
P.O. Box 8370, Erie, PA 16505-0370  
Phone (814) 833-1154 FAX (814) 838-3473

SPC PILASTER HINGE INSERT CONFIGURATION

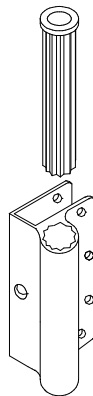
RIGHT HAND INSWING OR  
LEFT HAND OUTSWING

TOP  
OF  
DOOR

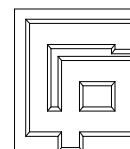


DOOR

SECURE BOTTOM DOOR  
HINGE AFTER DOOR IS  
HUNG ON PILASTER.



SPC HINGE INSERT CONFIGURATION DETAIL

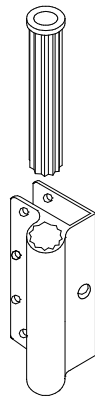
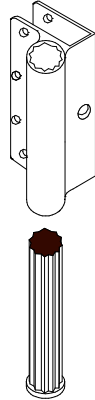


**GENERAL  
PARTITIONS** Mfg. Corp.  
1702 Peninsula Drive, Erie PA  
P.O. Box 8370, Erie, PA 16505-0370  
Phone (814) 833-1154 FAX (814) 838-3473

TOP  
OF  
DOOR

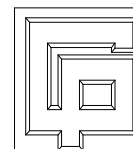
LEFT HAND INSWING OR  
RIGHT HAND OUTSWING

DOOR

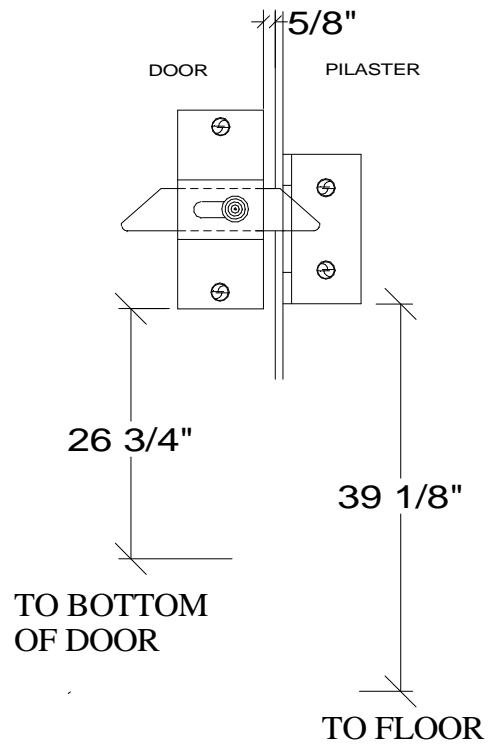


SECURE BOTTOM DOOR  
HINGE AFTER DOOR IS  
HUNG ON PILASTER.

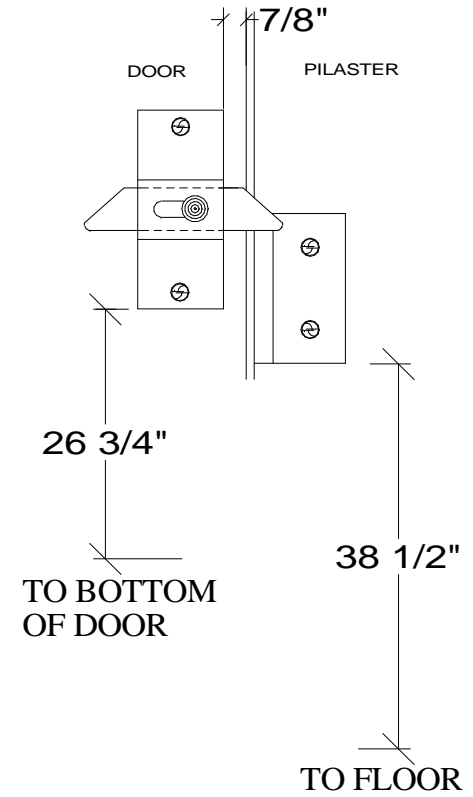
SPC HINGE INSERT CONFIGURATION DETAIL



**GENERAL  
PARTITIONS** Mfg. Corp.  
1702 Peninsula Drive, Erie PA  
P.O. Box 8370, Erie, PA 16505-0370  
Phone (814) 833-1154 FAX (814) 838-3473



## INSWING DOORS

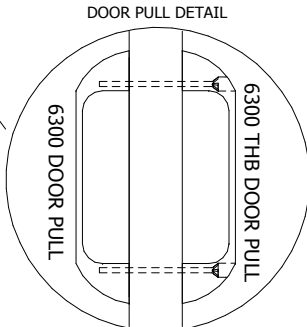
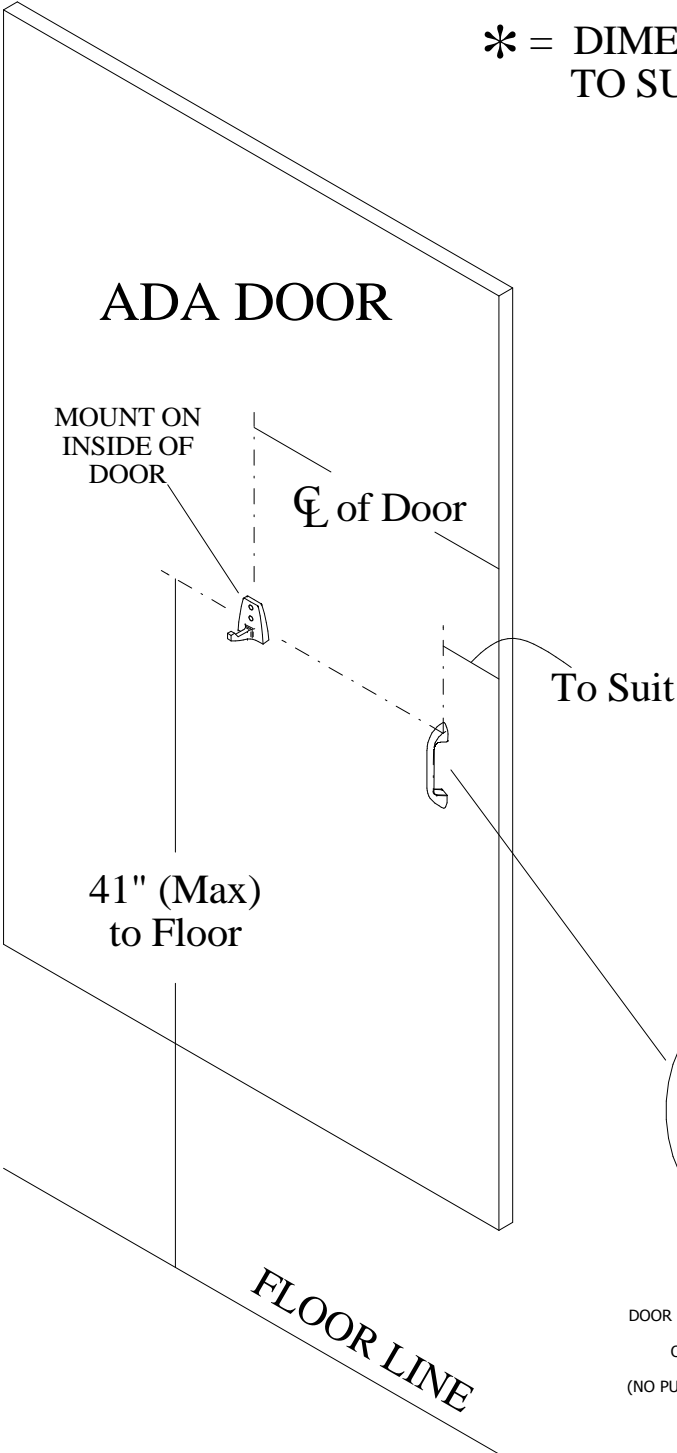


## OUTSWING DOORS

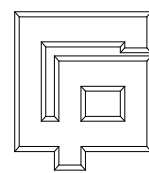
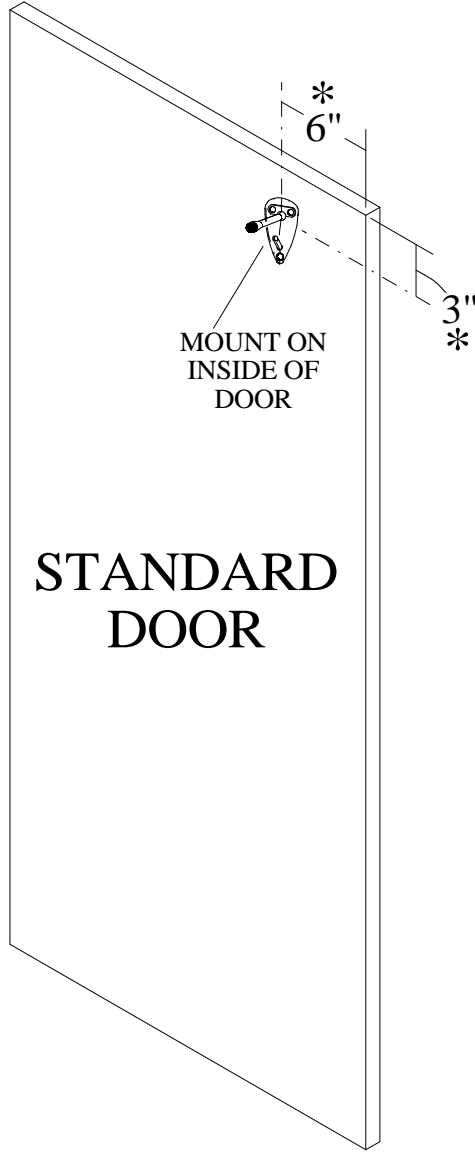
SLIDE LATCH & KEEPER  
MOUNTING LOCATIONS

 **GENERAL PARTITIONS** Mfg. Corp.  
1702 Peninsula Drive, Erie PA  
P.O. Box 8370, Erie, PA 16505-0370  
Phone (814) 833-1154 FAX (814) 838-3473

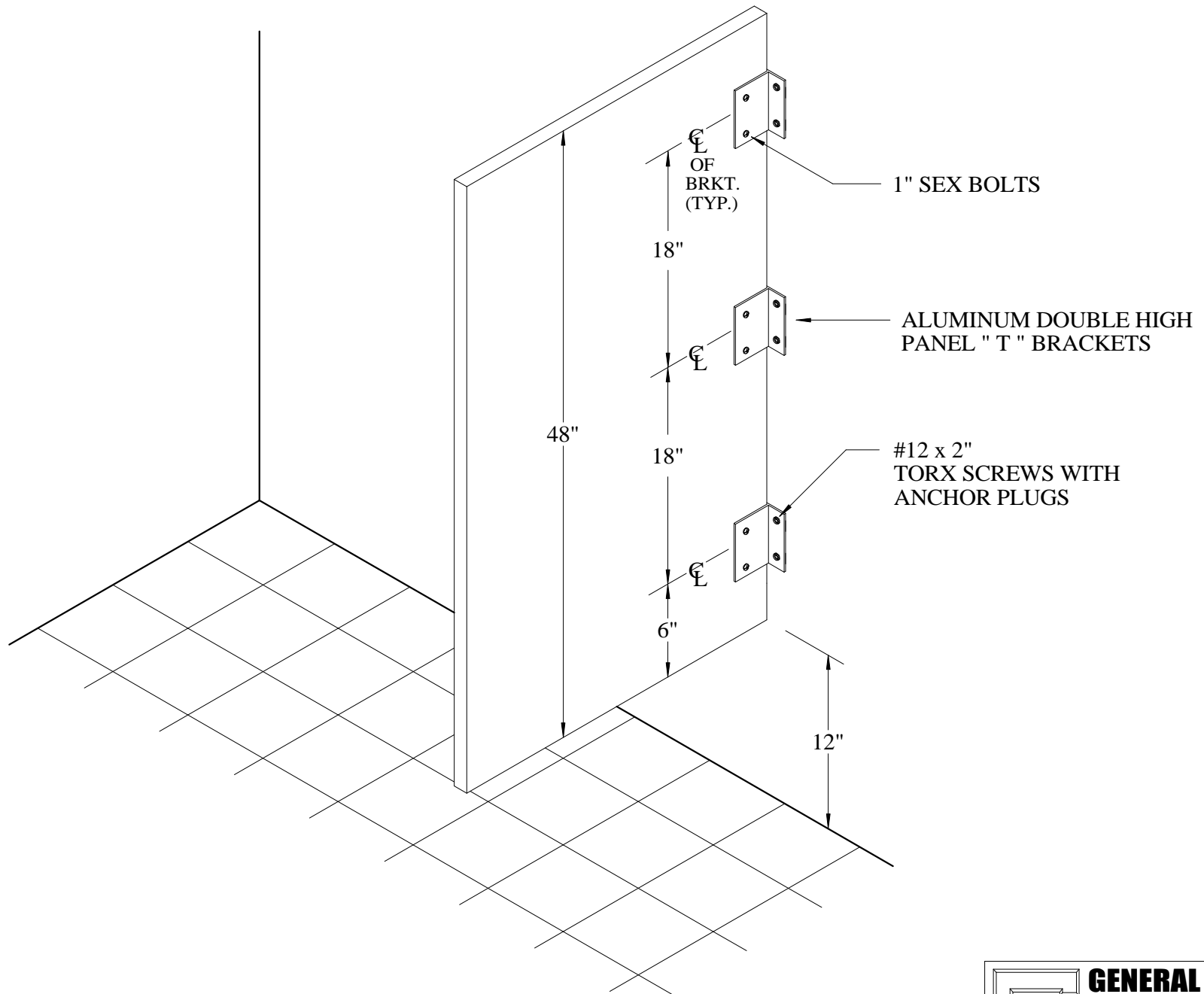
\* = DIMENSION CAN VARY TO SUIT JOB CONDITION



MOUNT DOOR PULLS NO HIGHER THAN 41" ABOVE FINISHED FLOOR.  
 DOOR PULLS ARE REQUIRED ON INSIDE & OUTSIDE OF A.D.A. (HANDICAPPED) DOORS.  
 ONLY ONE PULL PROVIDED FOR OUTSWING STANDARD DOORS.  
 (NO PULL REQUIRED FOR INSWING STANDARD DOORS)

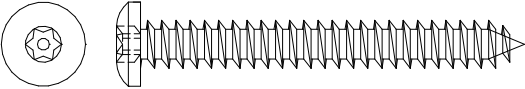
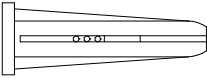
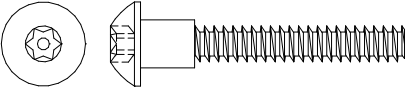
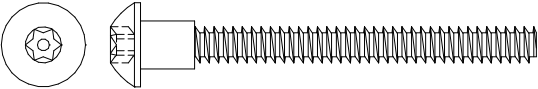
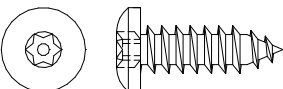
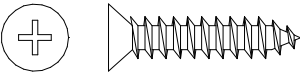
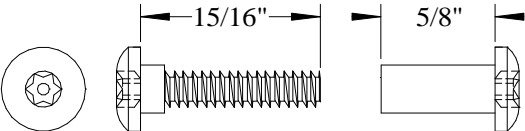

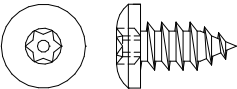
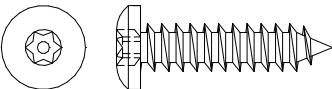
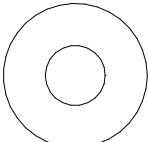


**GENERAL PARTITIONS** Mfg. Corp.  
 1702 Peninsula Drive, Erie PA  
 P.O. Box 8370, Erie, PA 16505-0370  
 Phone (814) 833-1154 FAX (814) 838-3473



WHS-10 URINAL SCREEN DETAIL



	<p>2" STAINLESS STEEL TORX HEAD #12 SCREW- used for bracket-to-wall attachment, pilaster to floor attachment and headrail bracket-to-wall attachment. Drill 1/4" hole.</p>
	<p>PLASTIC ANCHOR- used in conjunction with the 2" x #12 screws.</p>
	<p>1 3/8" STAINLESS STEEL TORX #10 MALE MACHINE BOLT- used for attachment of standard door pull and slide latch on outswing doors only. Drill 1/4" hole.</p>
	<p>2 1/16" STAINLESS STEEL TORX #10 MALE MACHINE BOLT- used for attachment of ADA door pulls. Drill 1/4" hole.</p>
	<p>3/4" STAINLESS STEEL TORX HEAD #14 SCREW- used for continuous wall brackets on back of pilasters, shoe to pilaster, and back of headrail at top of pilaster. Drill 3/16" hole.</p>
	<p>1" STEEL #10 HINGE SCREW- used for securing the hinges to the edges of the pilasters. Drill 1/8" hole.</p>
	<p>1" STAINLESS STEEL TORX #10 THRU-BOLT- used for bracket-to-panel, bracket-to-pilaster, headrail-to-chair bracket, and the following door hardware: hinges, latches, strikes and keepers. Drill 1/4" hole.</p>
	<p>5/8" STAINLESS STEEL #10 TORX SCREW- used for attaching the coat hook and for attachment of the wall stop on outswing doors. Drill 1/8" hole.</p>
	<p>1/2" STAINLESS STEEL #14 TORX SCREW- used for attachment of anti-grip headrail to headrail block. Drill 3/16" hole.</p>
	<p>#14 x 1" TORX SCREW- used for attachment of headrail block to pilaster at alcove connection. Drill 3/16" hole.</p>
	<p>1/4" x 3/4" x 1/16" STAINLESS STEEL WASHER- used for attachment of floor plate.</p>