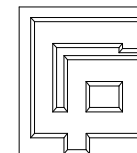
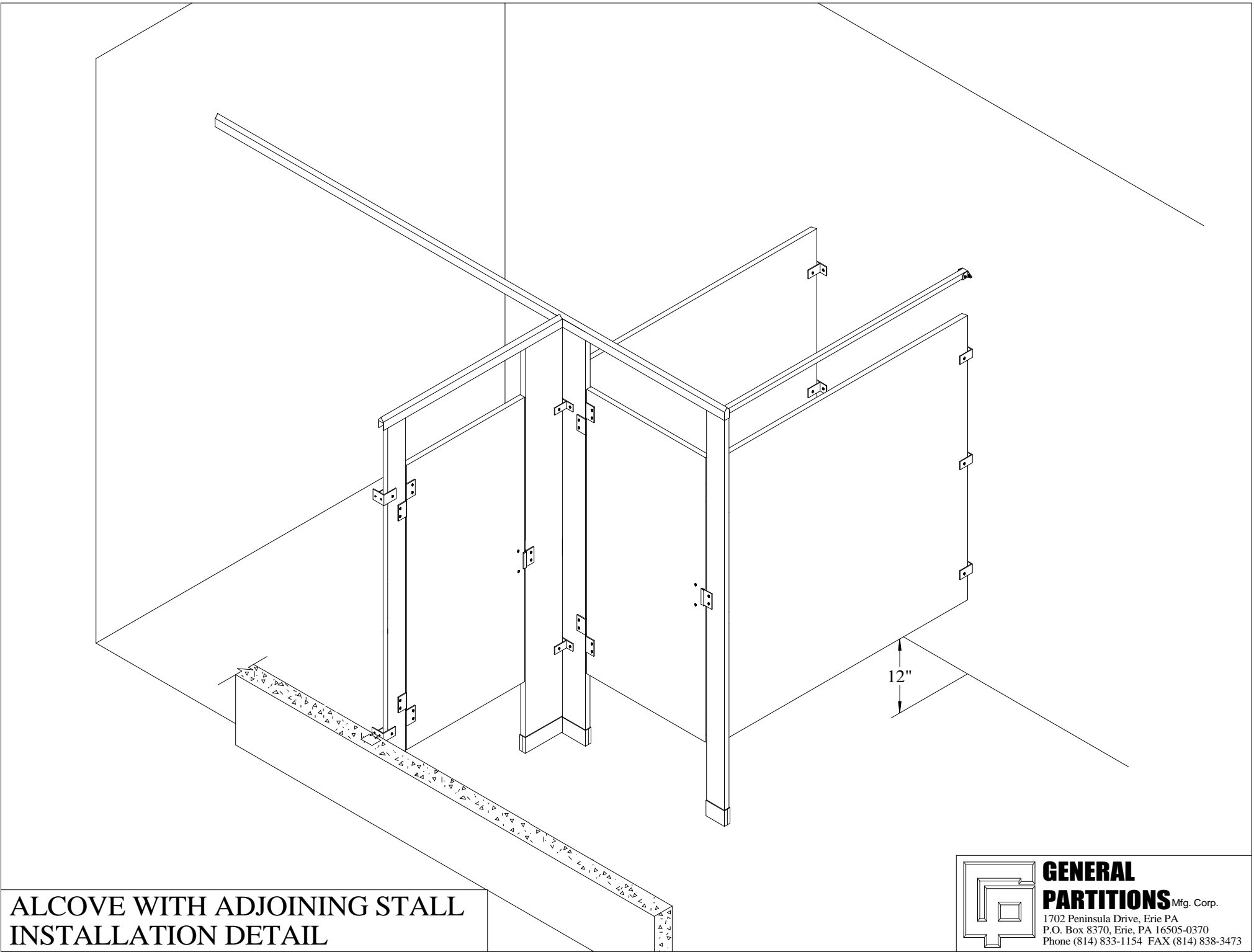


SOLID PHENOLIC CORE 3/4"

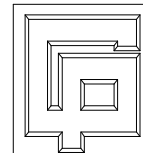
STANDARD STALL
INSTALLATION DETAIL



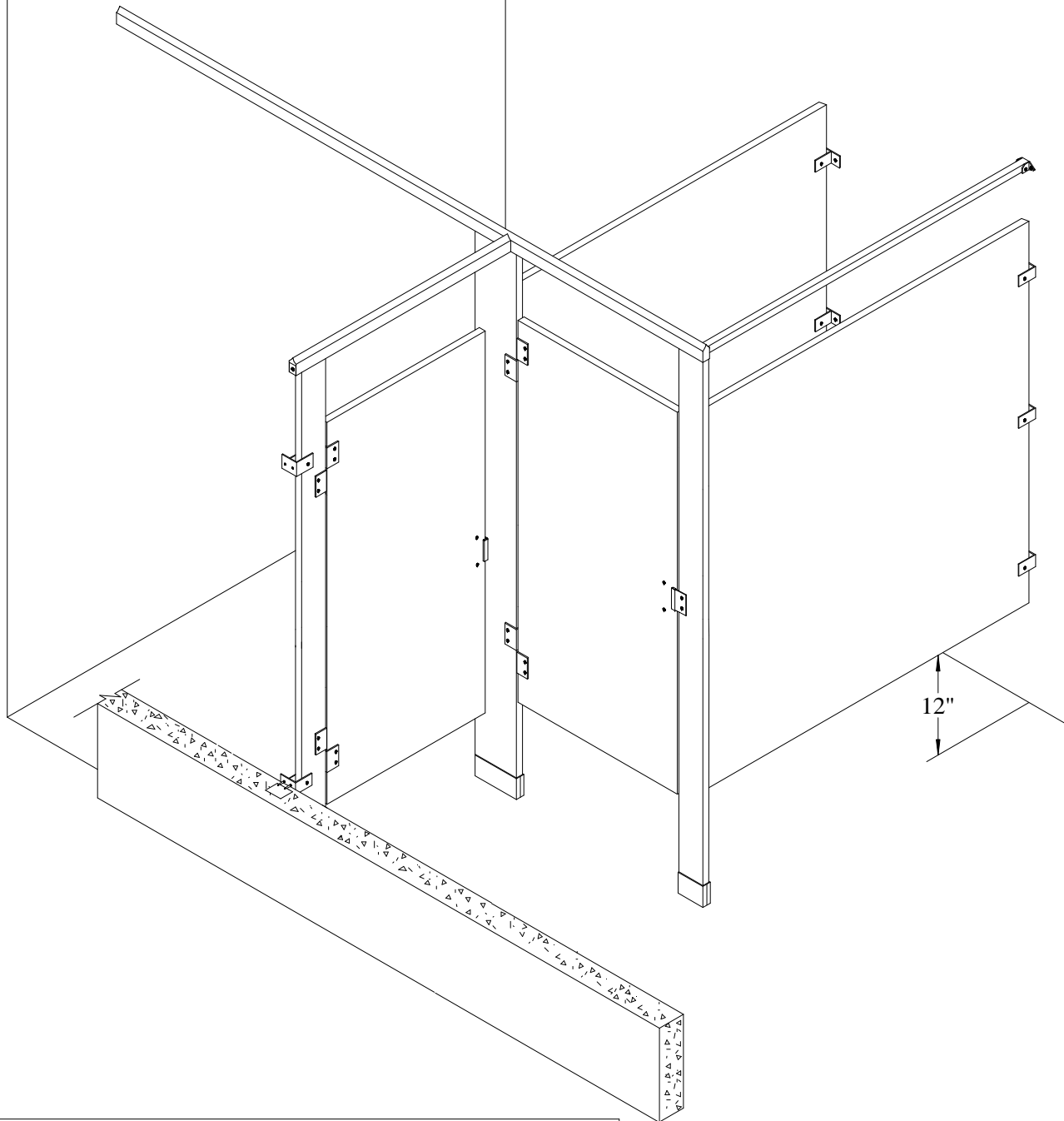
**GENERAL
PARTITIONS** Mfg. Corp.
1702 Peninsula Drive, Erie PA
P.O. Box 8370, Erie, PA 16505-0370
Phone (814) 833-1154 FAX (814) 838-3473



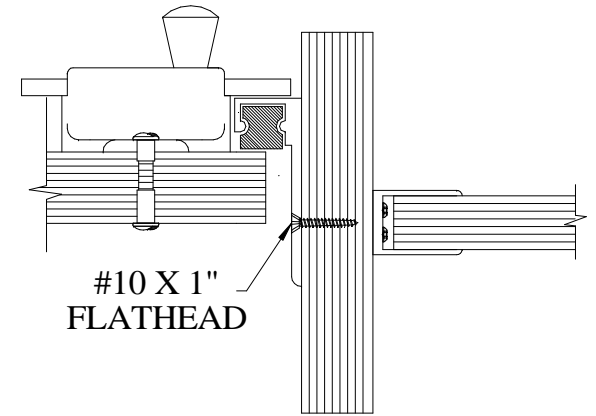
ALCOVE WITH ADJOINING STALL
INSTALLATION DETAIL



GENERAL PARTITIONS Mfg. Corp.
1702 Peninsula Drive, Erie PA
P.O. Box 8370, Erie, PA 16505-0370
Phone (814) 833-1154 FAX (814) 838-3473

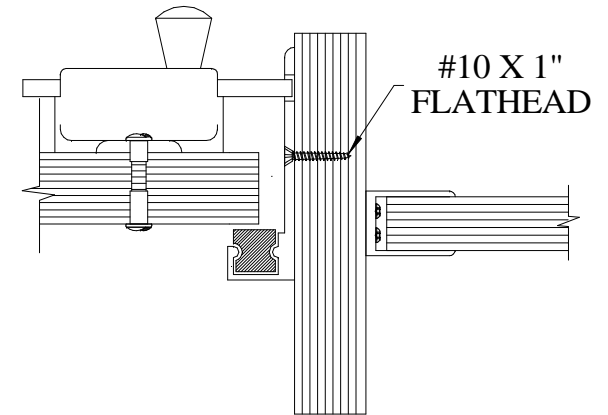


ALCOVE WITH ADJOINING STALL w/
FLAT STRIKE INSTALLATION DETAIL



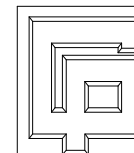
#10 X 1"
FLATHEAD

OUTSWING DOOR

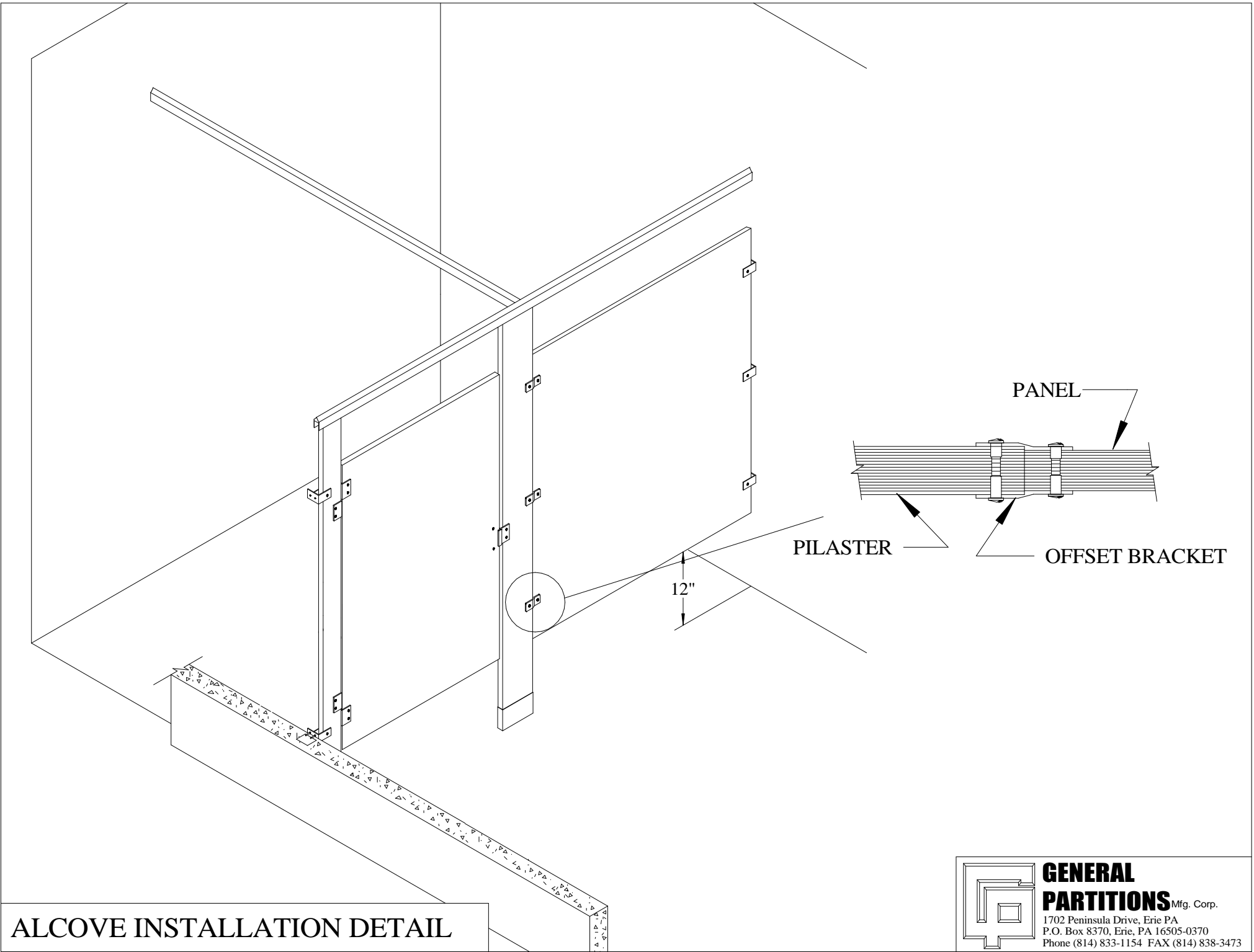


#10 X 1"
FLATHEAD

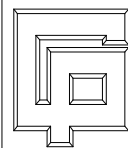
INSWING DOOR



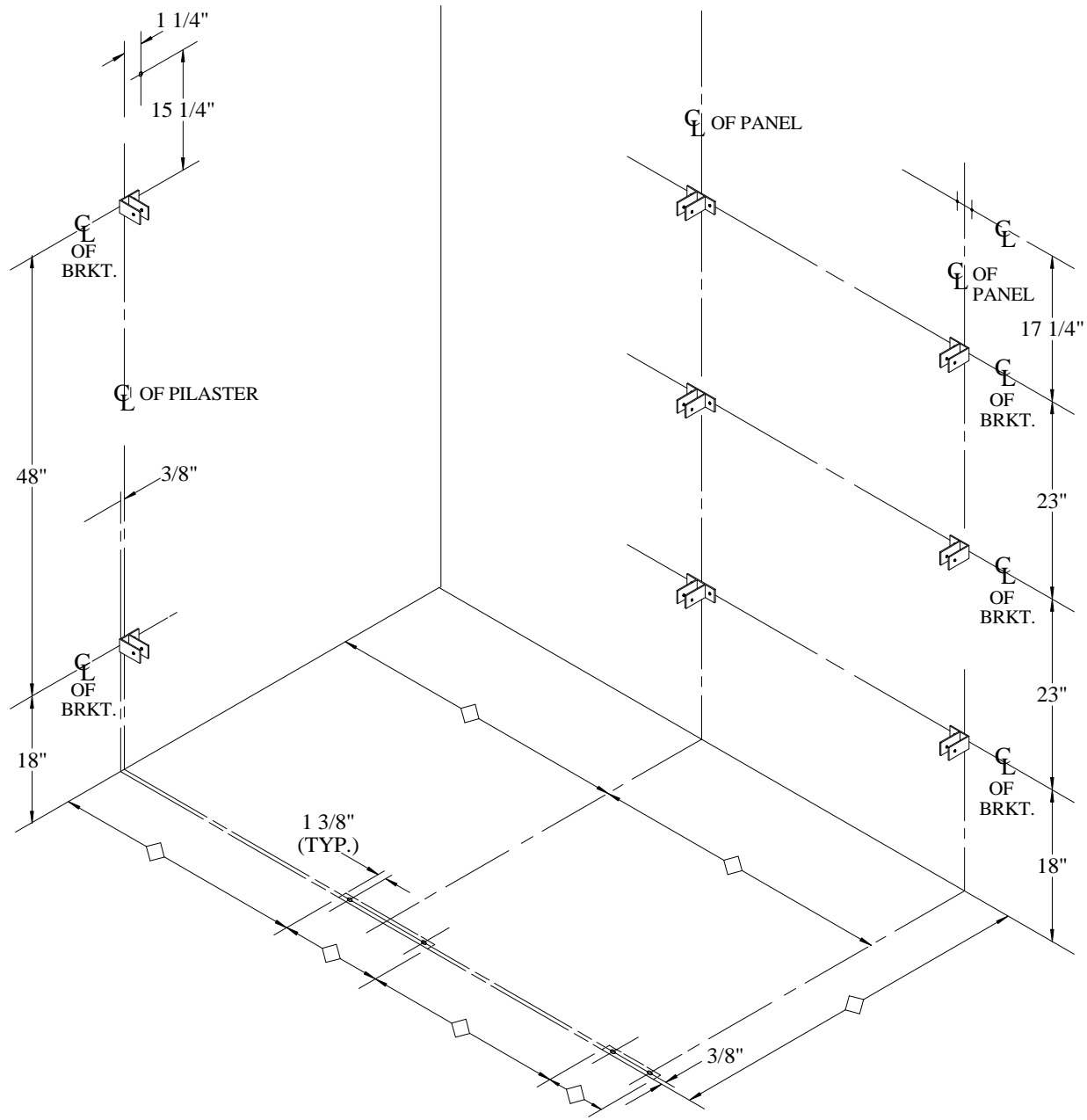
**GENERAL
PARTITIONS** Mfg. Corp.
1702 Peninsula Drive, Erie PA
P.O. Box 8370, Erie, PA 16505-0370
Phone (814) 833-1154 FAX (814) 838-3473



ALCOVE INSTALLATION DETAIL



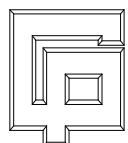
GENERAL PARTITIONS Mfg. Corp.
1702 Peninsula Drive, Erie PA
P.O. Box 8370, Erie, PA 16505-0370
Phone (814) 833-1154 FAX (814) 838-3473



LAYOUT AND MOUNTING BRACKETS DETAIL

LEGEND

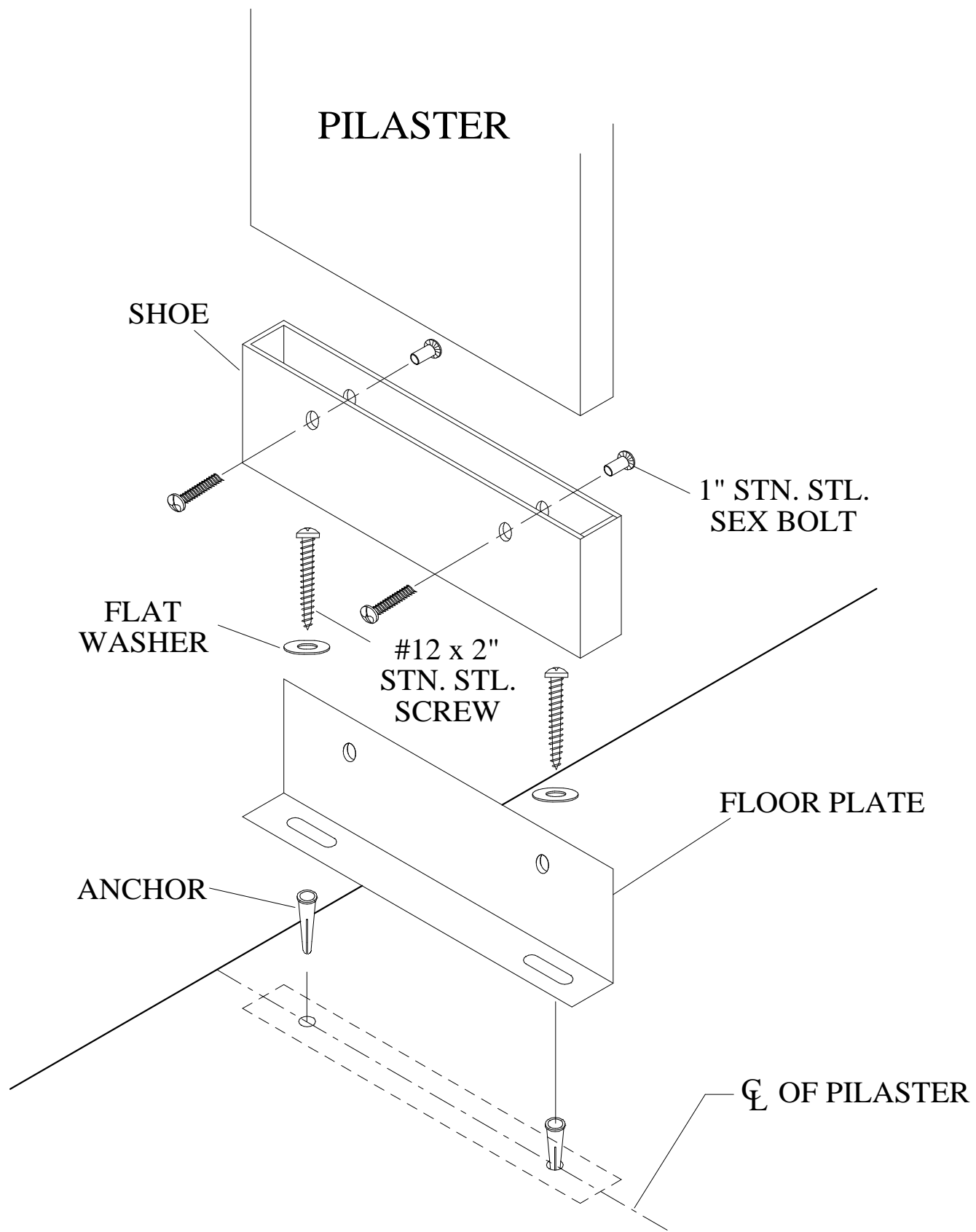
Obtain From Job Prints.



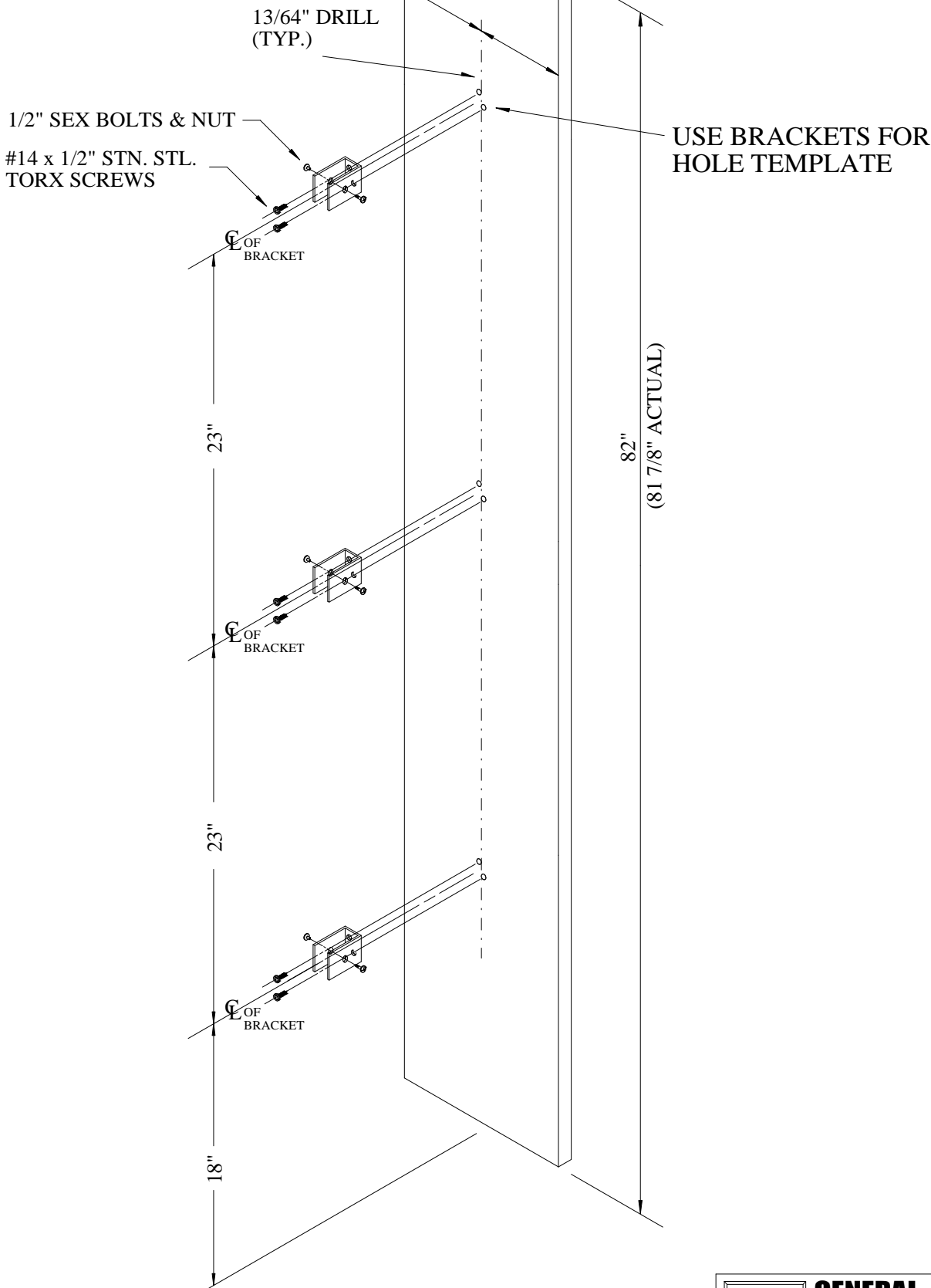
GENERAL PARTITIONS Mfg. Corp.
 1702 Peninsula Drive, Erie PA
 P.O. Box 8370, Erie, PA 16505-0370
 Phone (814) 833-1154 FAX (814) 838-3473

DIMENSIONS FOR DRILLING FLOOR FASTENERS

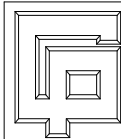
PILASTER SIZE	NO. OF HOLES	PIL. EDGE TO ϕ OF DRILL	ϕ TO ϕ OF DRILL HOLES
2"	1	1"	—
3"	1	1 1/2"	—
4"	2	1 3/8"	1 1/4"
5"	2	1 3/8"	2 1/4"
6"	2	1 3/8"	3 1/4"
8"	2	1 3/8"	5 1/4"
10"	2	1 3/8"	7 1/4"
12"	2	1 3/8"	9 1/4"
14"	2	1 3/8"	11 1/4"
18"	2	1 3/8"	15 1/4"
20"	2	1 3/8"	17 1/4"
22"	2	1 3/8"	19 1/4"
24"	2	1 3/8"	21 1/4"



40 SERIES FLOOR CONNECTION

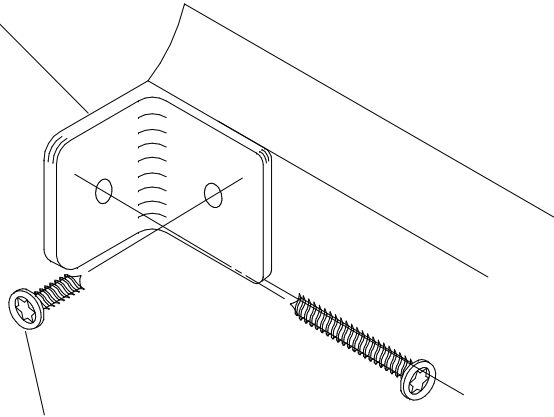


PANEL TO PILASTER ATTACHMENT DETAIL



GENERAL PARTITIONS Mfg. Corp.
 1702 Peninsula Drive, Erie PA
 P.O. Box 8370, Erie, PA 16505-0370
 Phone (814) 833-1154 FAX (814) 838-3473

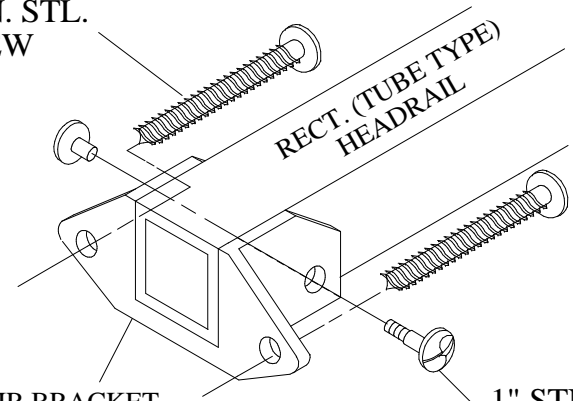
#4040S ANGLE BRACKET WITH (1) #12 x 2" STN. STL. TORX SCREW & ANCHOR PLUG @ WALL, AND (1) #14 x 1/2" STN. STL. TORX.



#14 x 1/2" STN. STL. TORX SCREW

DETAIL "A"

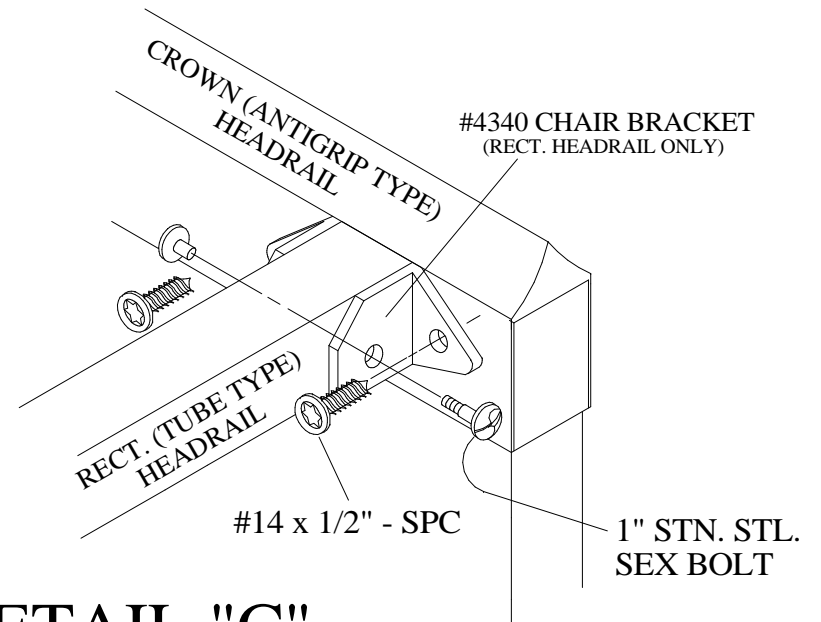
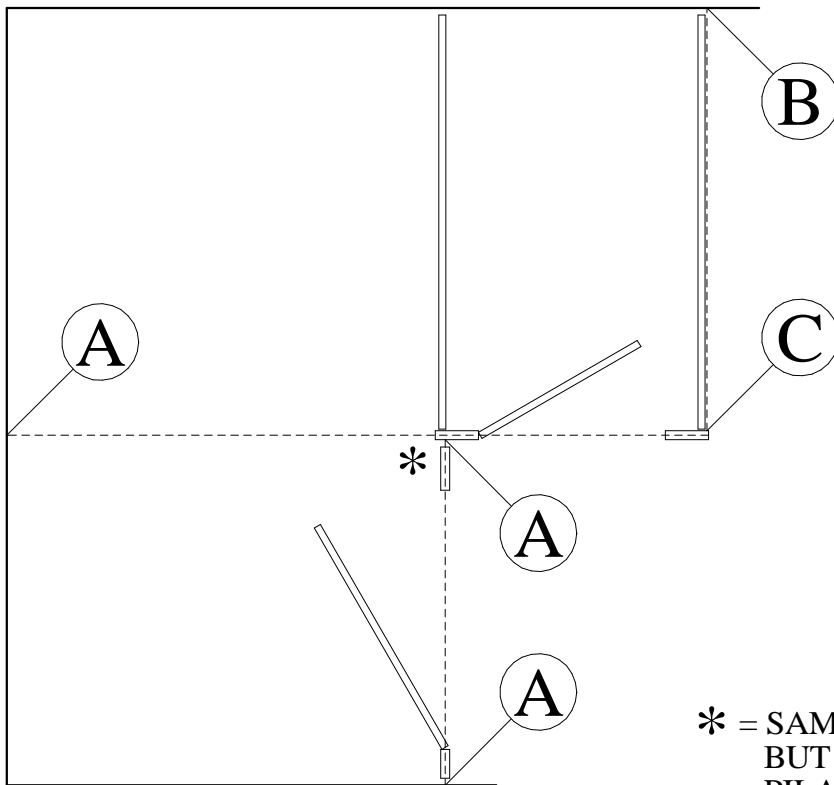
#12 x 2" STN. STL. TORX SCREW



#4340 CHAIR BRACKET (RECT. HEADRAIL ONLY)

1" STN. STL. SEX BOLT

DETAIL "B"



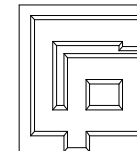
#4340 CHAIR BRACKET (RECT. HEADRAIL ONLY)

#14 x 1/2" - SPC

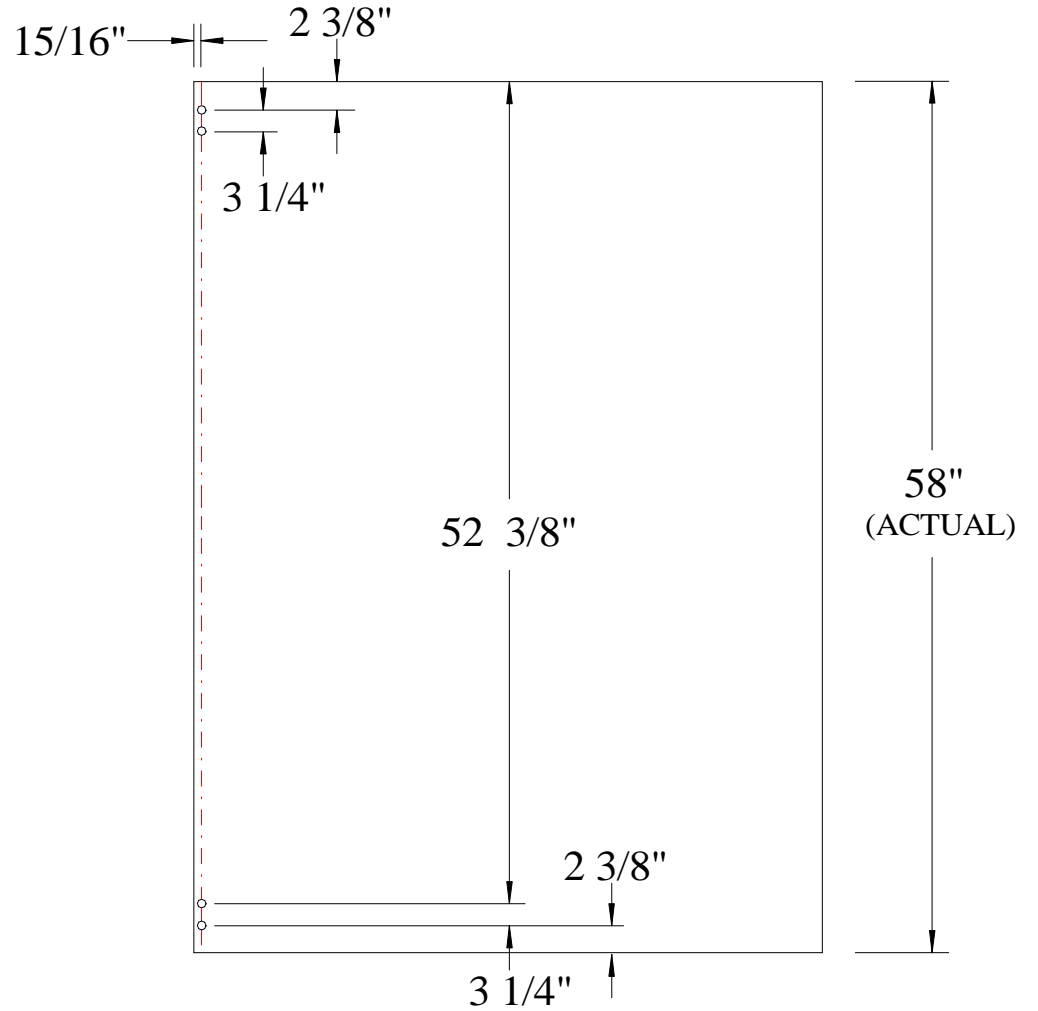
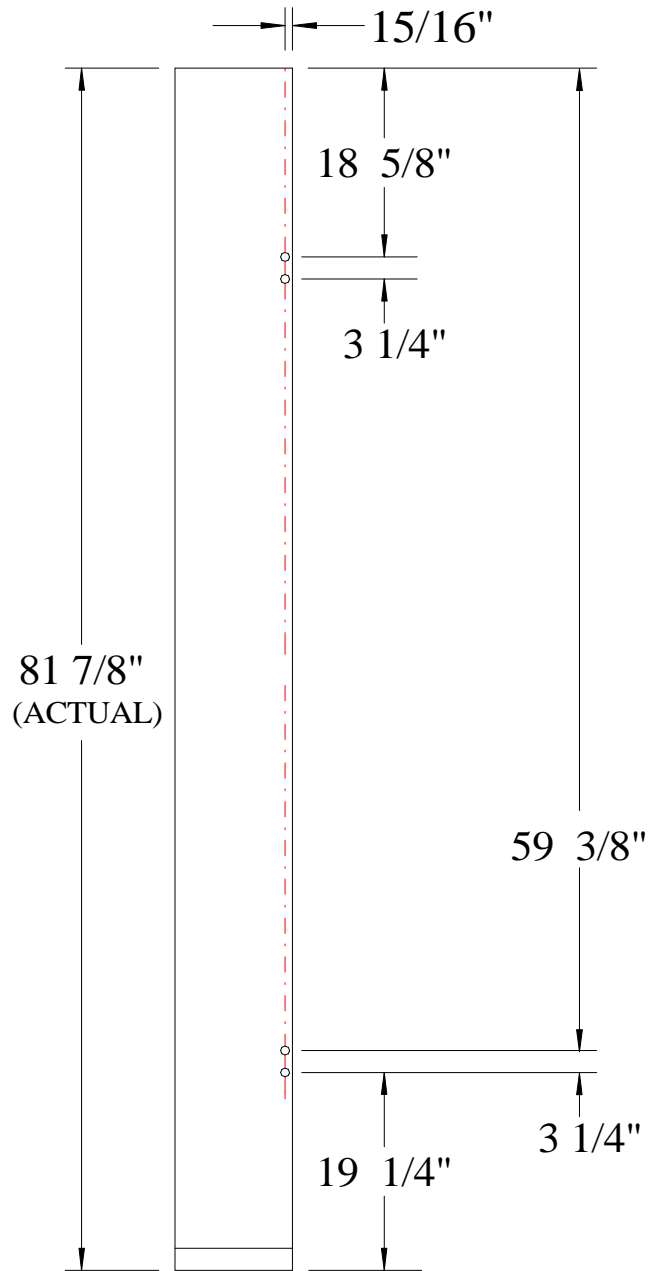
1" STN. STL. SEX BOLT

DETAIL "C"

* = SAME CONNECTION AS DETAIL "A" BUT USE #14 x 1/2" SCREWS INTO PILASTER

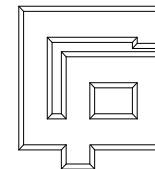


GENERAL PARTITIONS Mfg. Corp.
1702 Peninsula Drive, Erie PA
P.O. Box 8370, Erie, PA 16505-0370
Phone (814) 833-1154 FAX (814) 838-3473



SERIES 40

SPC ALUMINUM "WRAP AROUND"
#1500AL DRILLING DETAIL

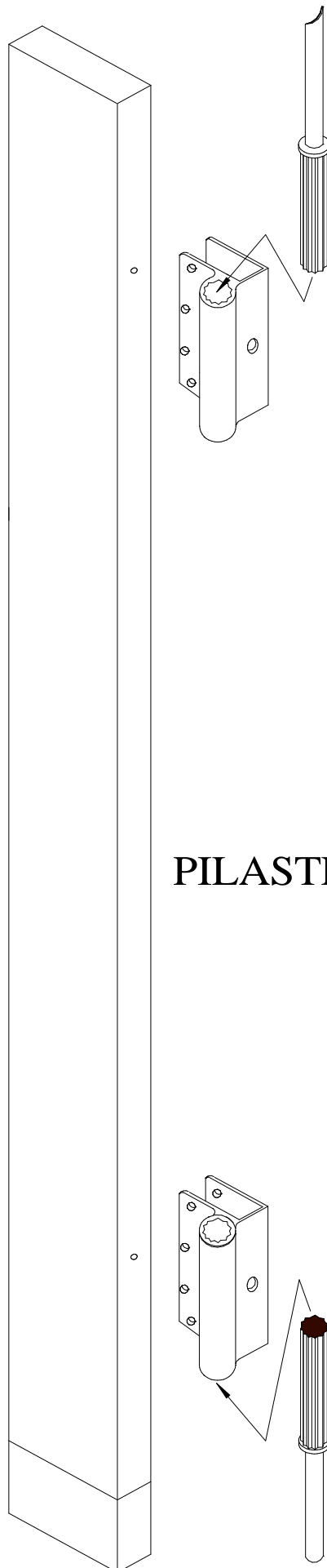


GENERAL PARTITIONS Mfg. Corp.
 1702 Peninsula Drive, Erie PA
 P.O. Box 8370, Erie, PA 16505-0370
 Phone (814) 833-1154 FAX (814) 838-3473

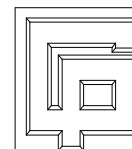
RIGHT HAND INSWING OR
LEFT HAND OUTSWING

ROTATE CAM FOR
DOOR ADJUSTMENT

PILASTER



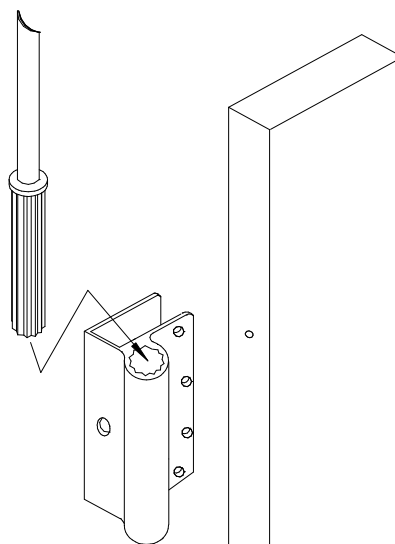
SPC PILASTER HINGE INSERT CONFIGURATION



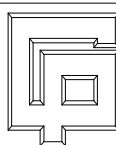
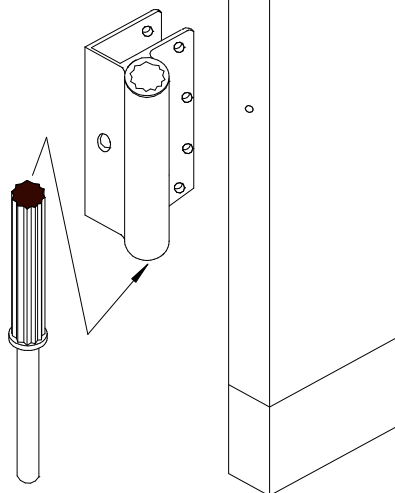
GENERAL PARTITIONS Mfg. Corp.
1702 Peninsula Drive, Erie PA
P.O. Box 8370, Erie, PA 16505-0370
Phone (814) 833-1154 FAX (814) 838-3473

LEFT HAND INSWING OR
RIGHT HAND OUTSWING

ROTATE CAM FOR
DOOR ADJUSTMENT



PILASTER



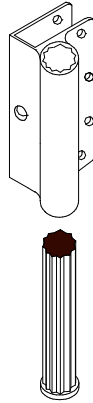
**GENERAL
PARTITIONS** Mfg. Corp.

1702 Peninsula Drive, Erie PA
P.O. Box 8370, Erie, PA 16505-0370
Phone (814) 833-1154 FAX (814) 838-3473

SPC PILASTER HINGE INSERT CONFIGURATION

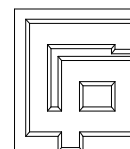
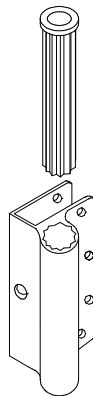
RIGHT HAND INSWING OR
LEFT HAND OUTSWING

TOP
OF
DOOR



DOOR

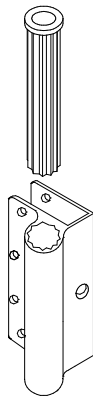
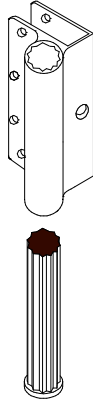
SECURE BOTTOM DOOR
HINGE AFTER DOOR IS
HUNG ON PILASTER.



TOP
OF
DOOR

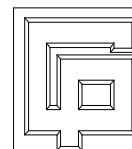
LEFT HAND INSWING OR
RIGHT HAND OUTSWING

DOOR



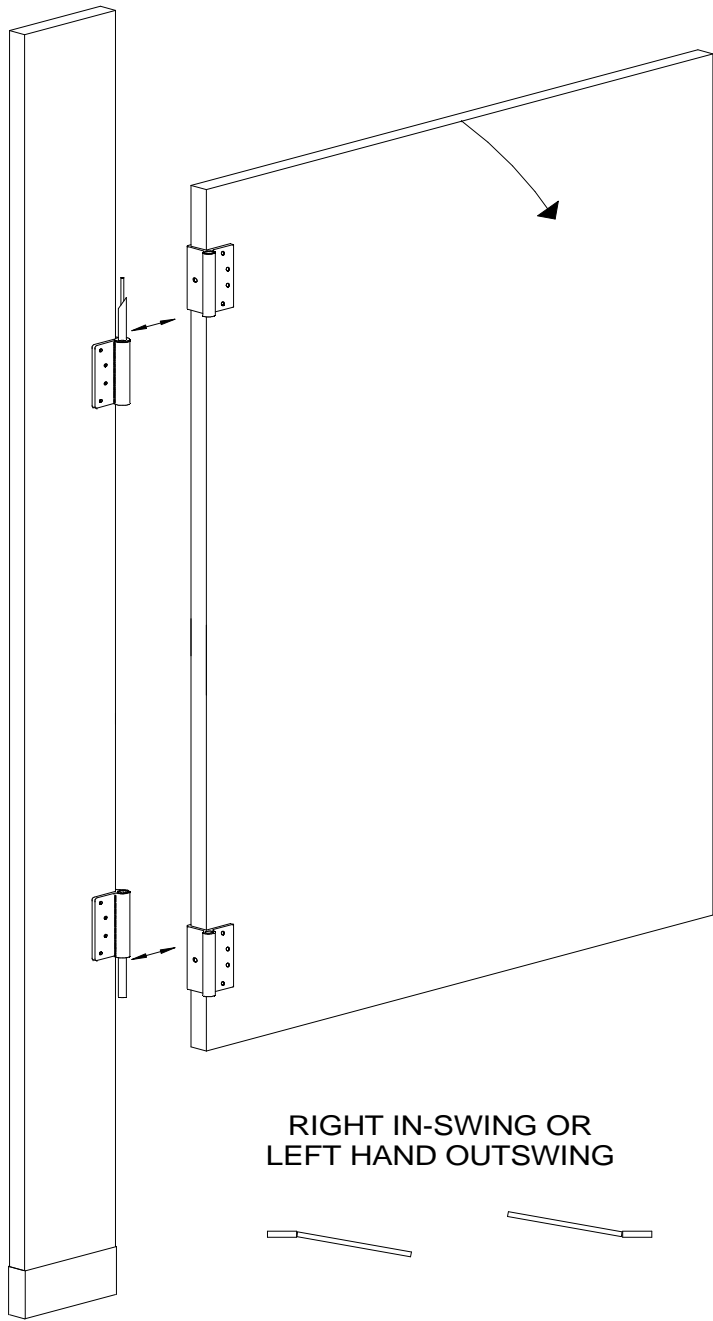
SECURE BOTTOM DOOR
HINGE AFTER DOOR IS
HUNG ON PILASTER.

SPC HINGE INSERT CONFIGURATION DETAIL

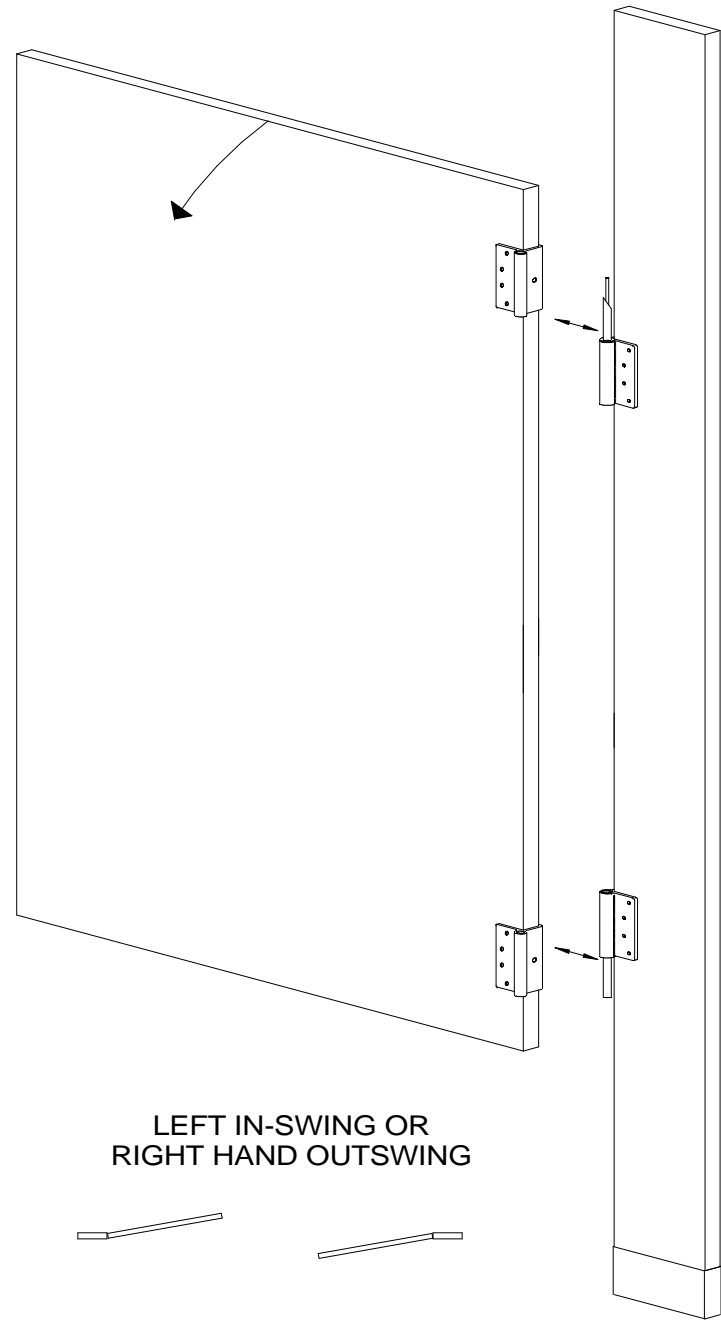


**GENERAL
PARTITIONS** Mfg. Corp.

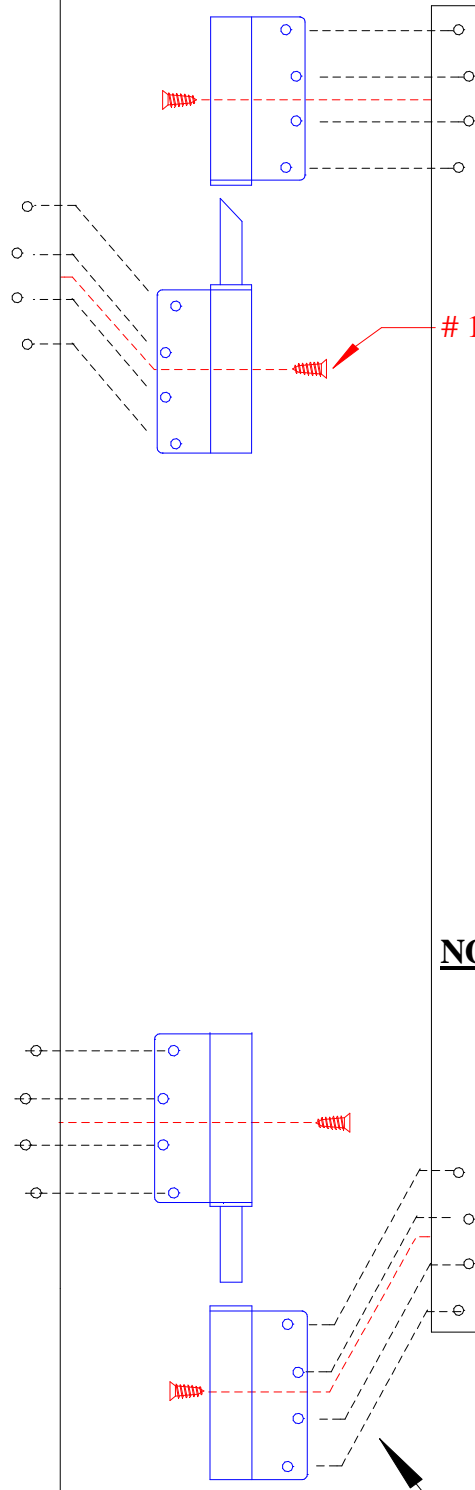
1702 Peninsula Drive, Erie PA
P.O. Box 8370, Erie, PA 16505-0370
Phone (814) 833-1154 FAX (814) 838-3473



RIGHT IN-SWING OR
LEFT HAND OUTSWING



LEFT IN-SWING OR
RIGHT HAND OUTSWING



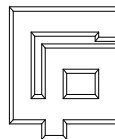
10 x 1 Phillips Hd. (USE 5/32" DRILL BIT)

NOTE: HINGES MUST BE SECURED TO EDGE OF PILASTERS & DOORS WITH 10 x 1" SCREW, BEFORE DRILLING & FASTENING OF THRU-BOLTS.

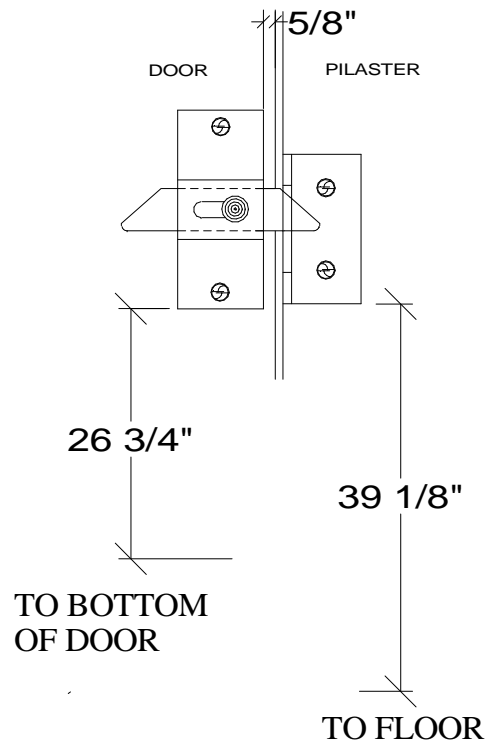
RIGHT HAND INSWING (SHOWN) OR LEFT HAND OUTSWING

SECURE BOTTOM DOOR HINGE AFTER DOOR IS HUNG ON PILASTER.

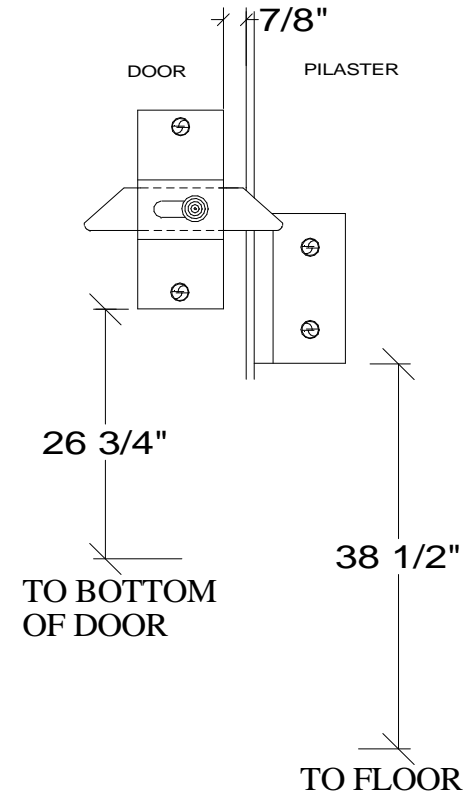
"WRAP AROUND" HINGE INSTALLATION DETAIL



GENERAL PARTITIONS Mfg. Corp.
 1702 Peninsula Drive, Erie PA
 P.O. Box 8370, Erie, PA 16505-0370
 Phone (814) 833-1154 FAX (814) 838-3473



INSWING DOORS

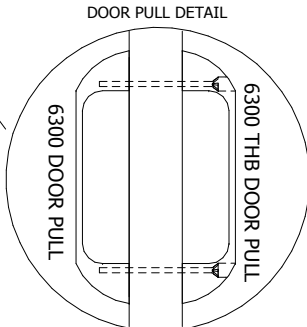
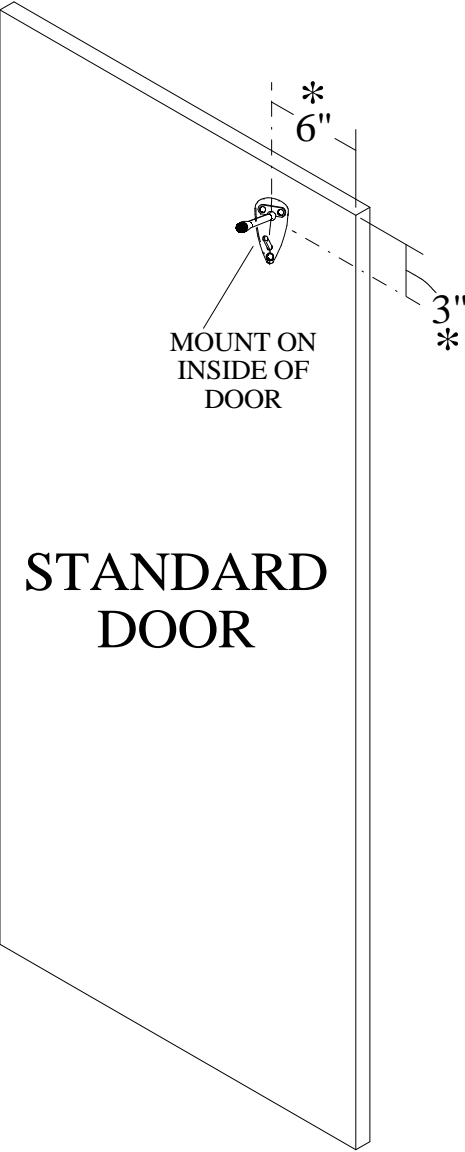
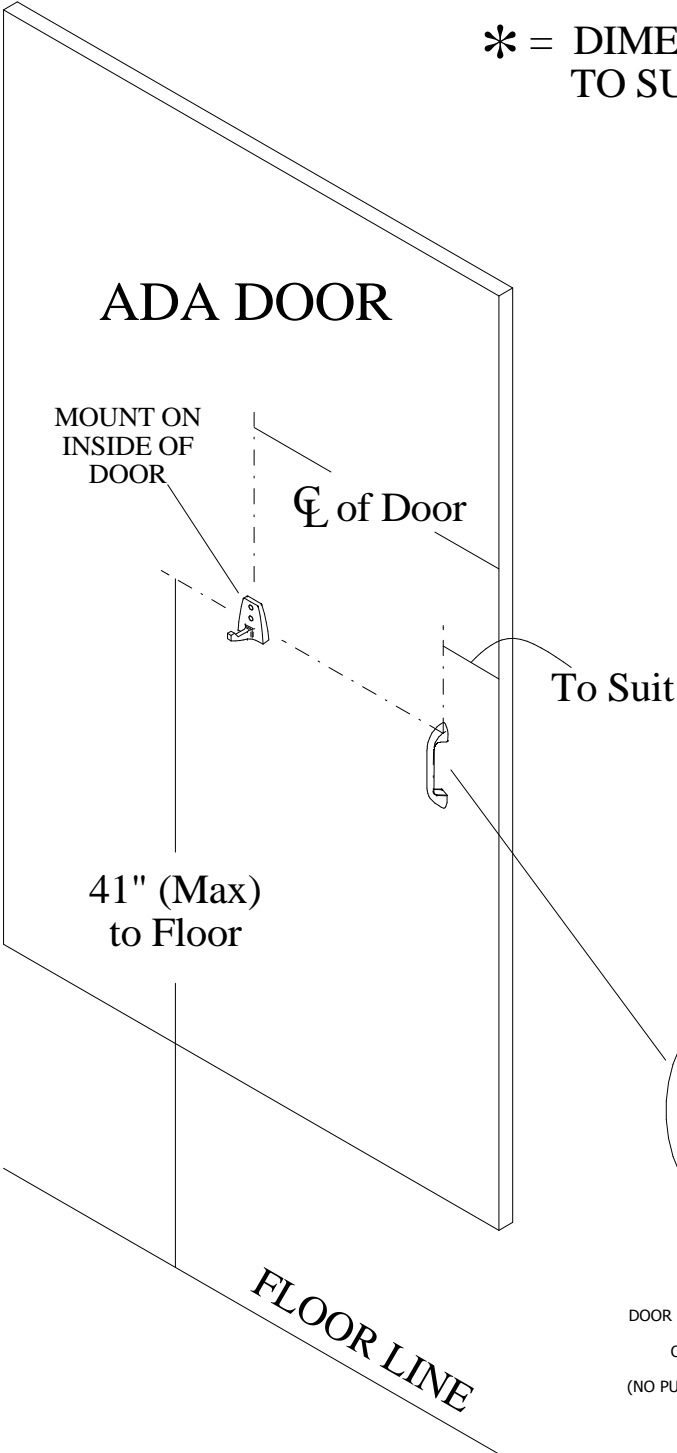


OUTSWING DOORS

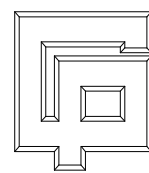
SLIDE LATCH & KEEPER
MOUNTING LOCATIONS

GENERAL PARTITIONS Mfg. Corp.
1702 Peninsula Drive, Erie PA
P.O. Box 8370, Erie, PA 16505-0370
Phone (814) 833-1154 FAX (814) 838-3473

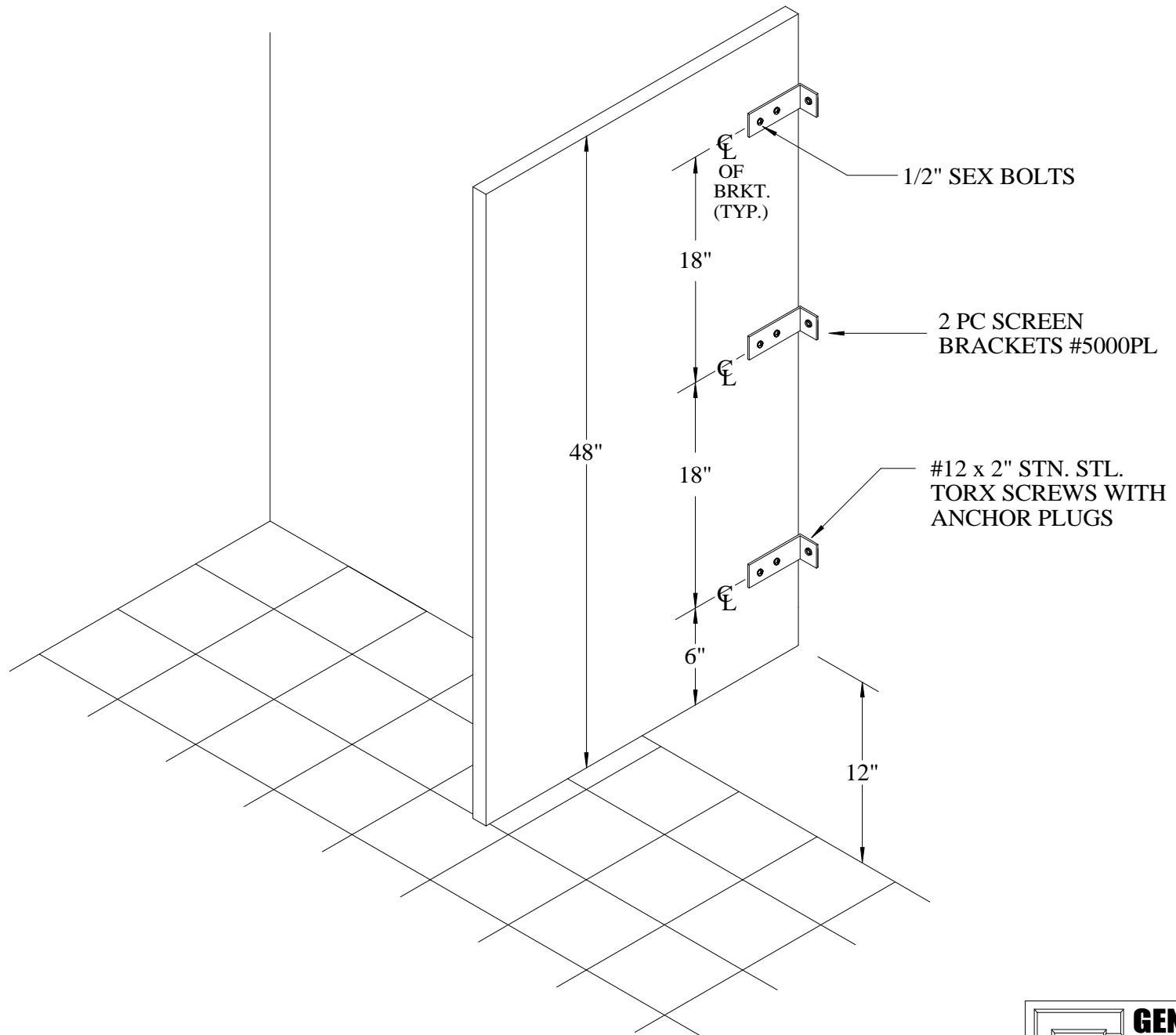
* = DIMENSION CAN VARY TO SUIT JOB CONDITION




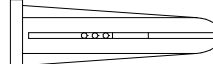
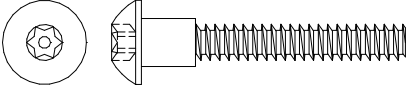
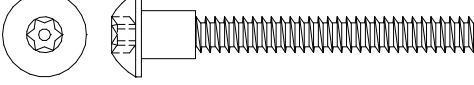
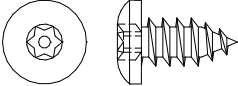
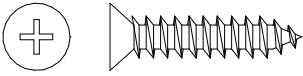
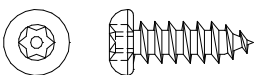
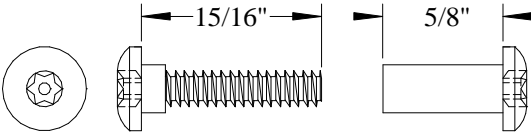
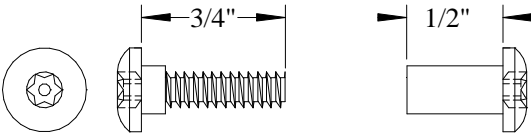
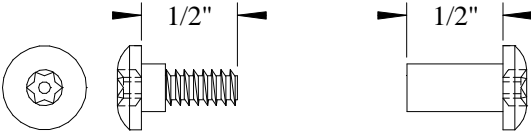
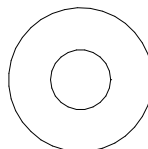
MOUNT DOOR PULLS NO HIGHER THAN 41" ABOVE FINISHED FLOOR.
 DOOR PULLS ARE REQUIRED ON INSIDE & OUTSIDE OF A.D.A. (HANDICAPPED) DOORS.
 ONLY ONE PULL PROVIDED FOR OUTSWING STANDARD DOORS.
 (NO PULL REQUIRED FOR INSWING STANDARD DOORS)



GENERAL PARTITIONS Mfg. Corp.
 1702 Peninsula Drive, Erie PA
 P.O. Box 8370, Erie, PA 16505-0370
 Phone (814) 833-1154 FAX (814) 838-3473



WHS-6 URINAL SCREEN DETAIL

	<p>2" STAINLESS STEEL TORX HEAD #12 SCREW- used for bracket-to-wall attachment, pilaster to floor attachment and headrail bracket-to-wall attachment. Drill 1/4" hole.</p>
	<p>PLASTIC ANCHOR- used in conjunction with the 2" x #12 screws.</p>
	<p>1 3/16" STAINLESS STEEL TORX #10 MALE MACHINE BOLT- used for attachment of standard door pull and slide latch on outswing doors only. Drill 1/4" hole.</p>
	<p>1 3/4" STAINLESS STEEL TORX #10 MALE MACHINE BOLT- used for attachment of ADA door pulls. Drill 1/4" hole.</p>
	<p>1/2" STAINLESS STEEL TORX HEAD #14 SCREW- used for "U" brackets on back of pilasters, back of headrail at top of pilaster, pilaster shoe-to pilaster and angle bracket to anti-grip headrail. Drill 13/64" hole.</p>
	<p>1" STAINLESS STEEL #10 HINGE SCREW- used for securing the hinges to the edges of the pilasters. Drill 5/32" hole.</p>
	<p>5/8" STAINLESS STEEL #10 TORX SCREW- used for attaching the coat hook and for attachment of the wall stop on outswing doors. Drill 11/64" hole.</p>
	<p>1" STAINLESS STEEL TORX #10 THRU-BOLT- used for headrail-to-chair bracket. Drill 1/4" hole.</p>
	<p>3/4" STAINLESS STEEL TORX #10 THRU-BOLT- used for brackets-to-pilaster and the following door hardware: hinges, latches, strikes and keepers. Drill 1/4" hole.</p>
	<p>1/2" STAINLESS STEEL TORX #10 THRU-BOLT- used for bracket-to-panel. Drill 1/4" hole.</p>
	<p>1/4" x 3/4" x 1/16" STAINLESS STEEL WASHER- used for attachment of floor plate.</p>