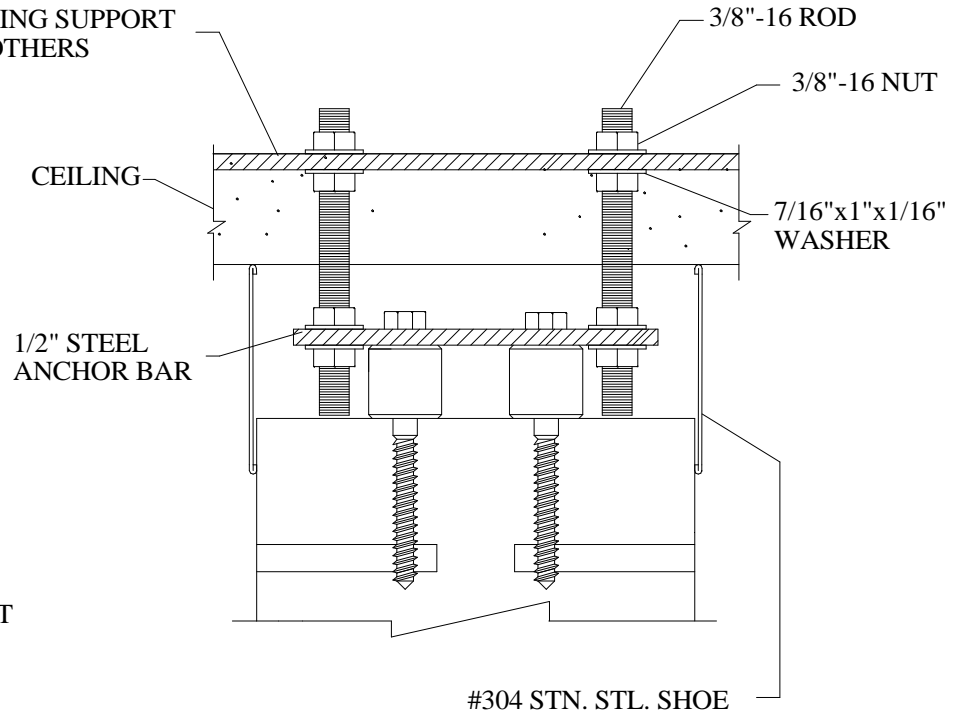


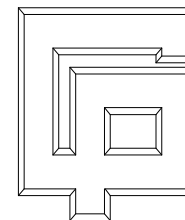
CEILING SUPPORT BY OTHERS



50-4 CEILING CONNECTION

NOTE: MINIMUM SIZE PILASTER IS 8" EXCEPT AT WALL WHERE ANY STANDARD SIZE MAY BE USED.

SERIES 50-4 CONSTRUCTION DETAILS



GENERAL PARTITIONS Mfg. Corp.

1702 Peninsula Drive, Erie PA
 P.O. Box 8370, Erie, PA 16505-0370
 Phone (814) 833-1154 FAX (814) 838-3473