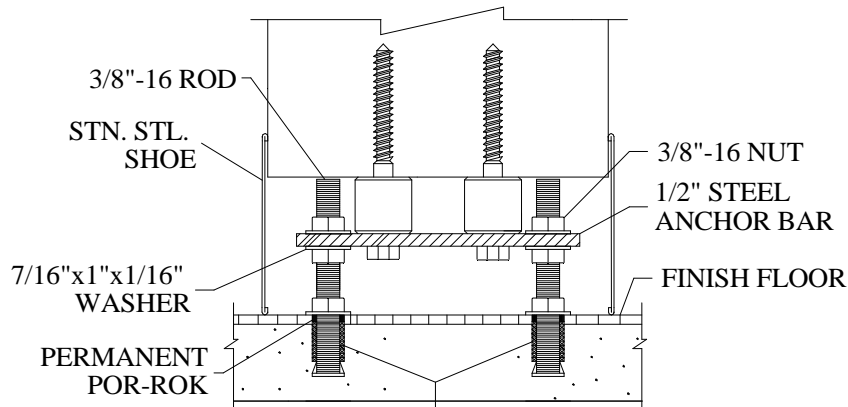
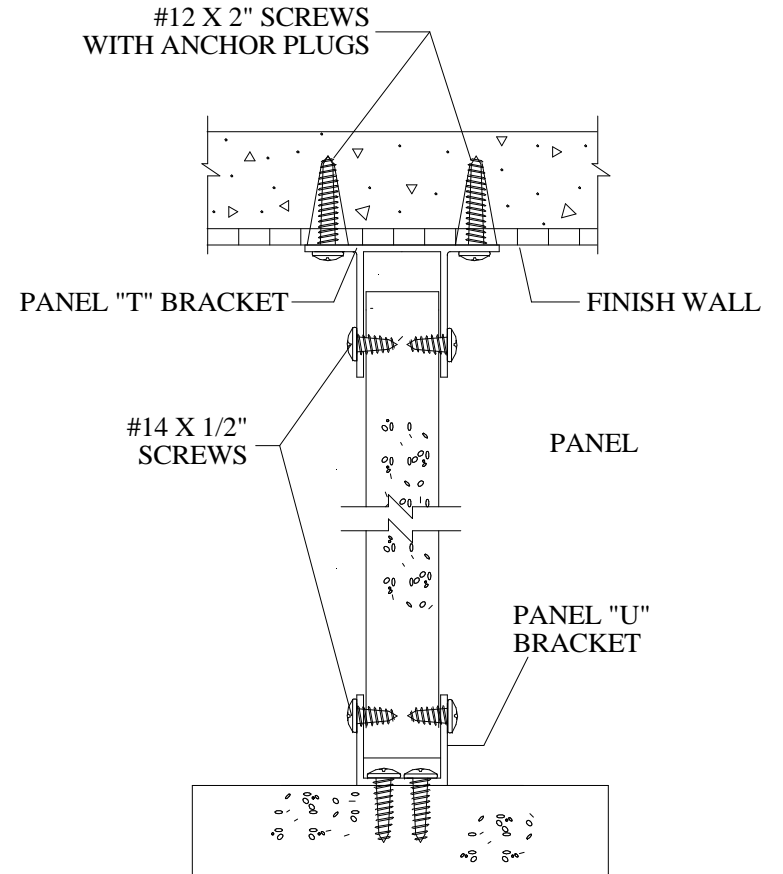


BACKING LOCATIONS

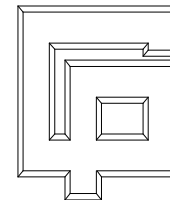


RAWL CALK-IN
3/8"-16

30-4 FLOOR CONNECTION



FBS-4 PLASTIC LAMINATE
URINAL SCREEN



GENERAL PARTITIONS Mfg. Corp.

1702 Peninsula Drive, Erie PA
P.O. Box 8370, Erie, PA 16505-0370
Phone (814) 833-1154 FAX (814) 838-3473