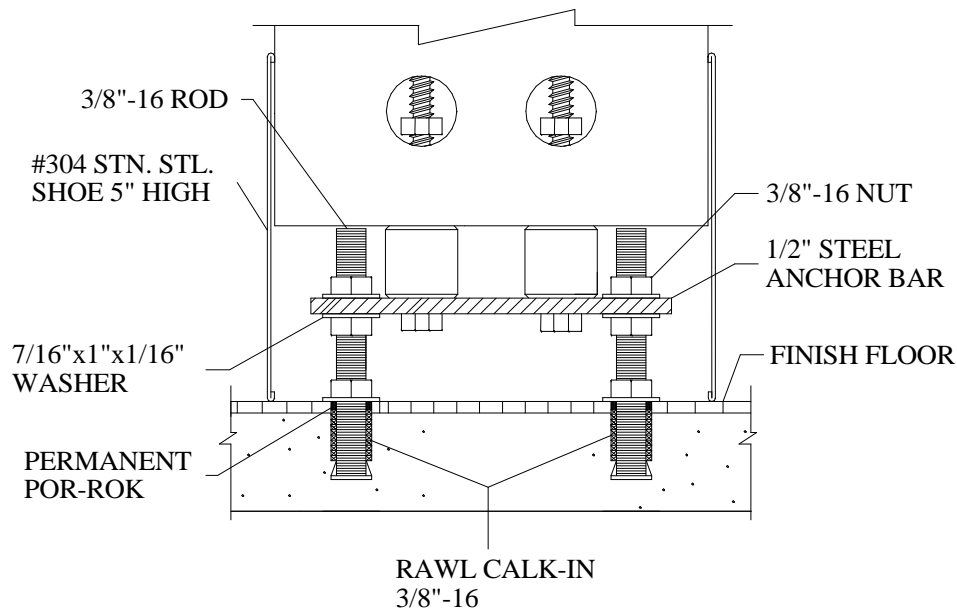
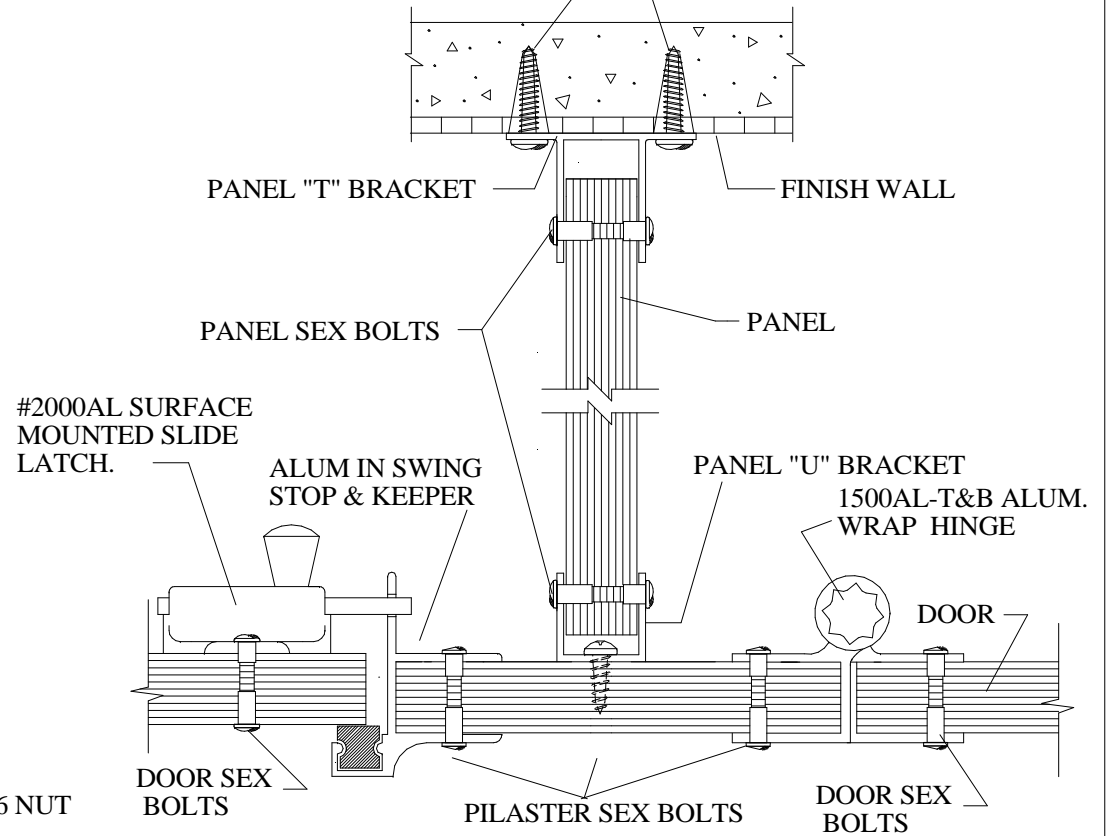
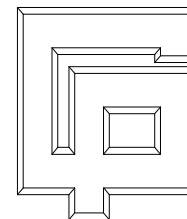


#12 X 2" STAINLESS STEEL
TORX SCREWS WITH ANCHOR PLUGS



30-6 FLOOR CONNECTION

SERIES 30-6 CONSTRUCTION DETAILS



GENERAL PARTITIONS Mfg. Corp.

1702 Peninsula Drive, Erie PA
P.O. Box 8370, Erie, PA 16505-0370
Phone (814) 833-1154 FAX (814) 838-3473