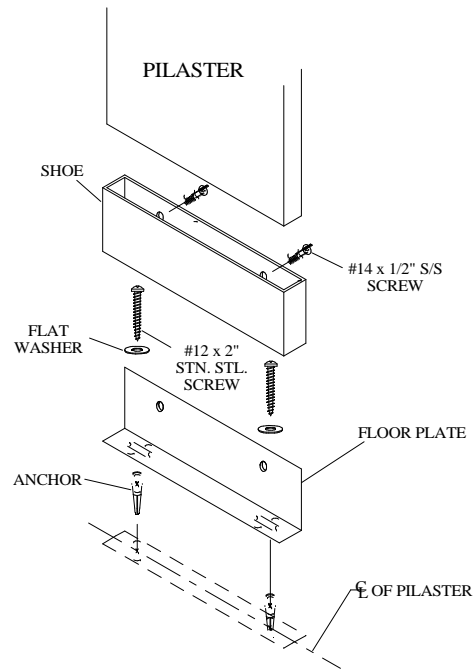
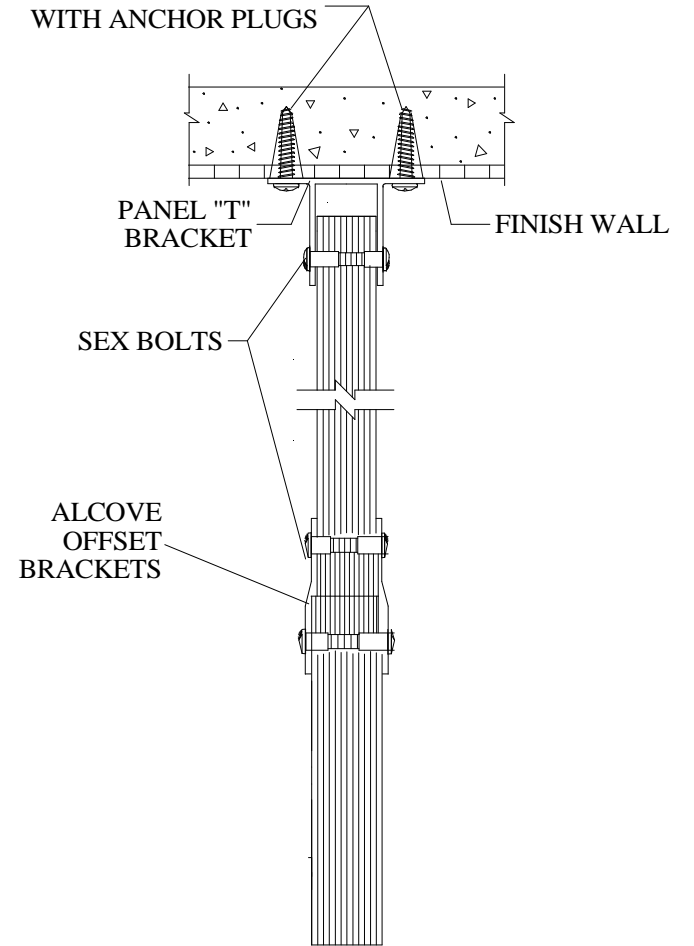


BACKING LOCATIONS



FLOOR CONNECTION

#12 X 2" S/S SCREWS
WITH ANCHOR PLUGS



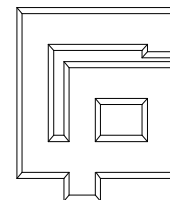
PANEL "T"
BRACKET

FINISH WALL

SEX BOLTS

ALCOVE
OFFSET
BRACKETS

FSH-6 SPC URINAL SCREEN



**GENERAL
PARTITIONS** Mfg. Corp.

1702 Peninsula Drive, Erie PA
P.O. Box 8370, Erie, PA 16505-0370
Phone (814) 833-1154 FAX (814) 838-3473