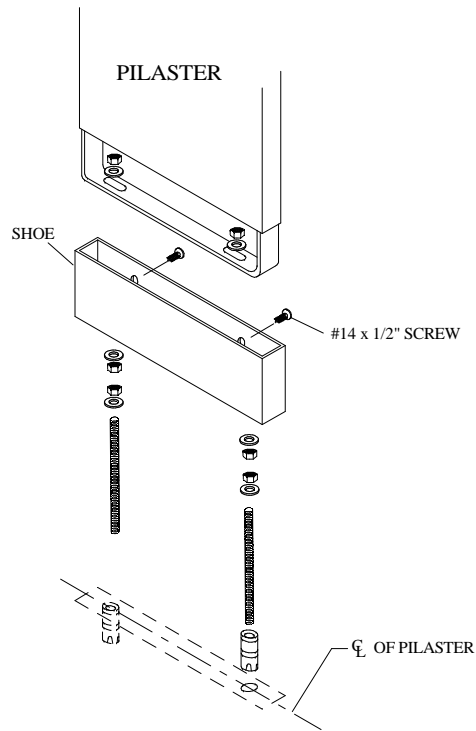
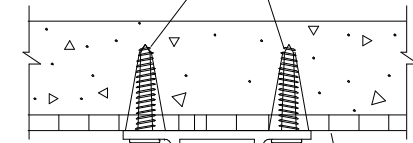


BACKING LOCATIONS



30 SERIES FLOOR CONNECTION

#12 X 2" TORX. SCREWS S/S WITH ANCHOR PLUGS

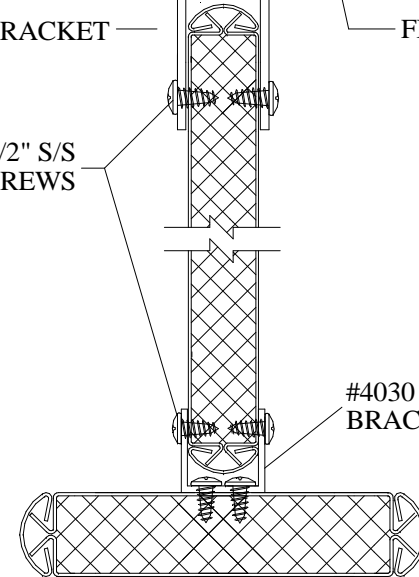


#4000 BRACKET

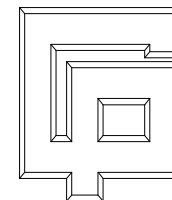
FINISH WALL

14 x 1/2" S/S TORX SCREWS

#4030 "U" BRACKET



FBS-3 S/S FLOOR BRACED SCREEN



GENERAL PARTITIONS Mfg. Corp.

1702 Peninsula Drive, Erie PA
 P.O. Box 8370, Erie, PA 16505-0370
 Phone (814) 833-1154 FAX (814) 838-3473