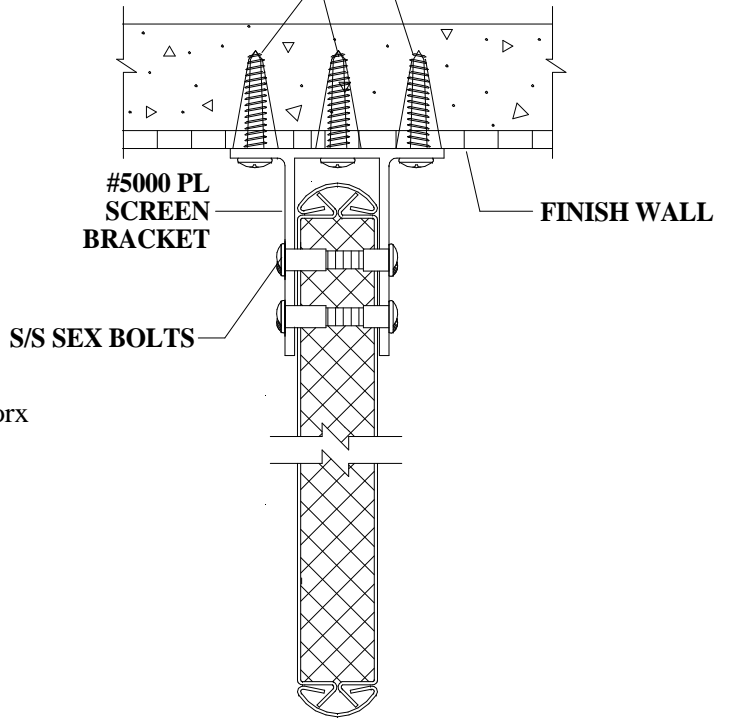
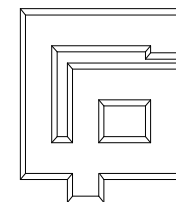


#12 X 2" S/S SCREWS WITH ANCHOR PLUGS



WHS-3 STN. STL. URINAL SCREEN



GENERAL PARTITIONS Mfg. Corp.

1702 Peninsula Drive, Erie PA
 P.O. Box 8370, Erie, PA 16505-0370
 Phone (814) 833-1154 FAX (814) 838-3473