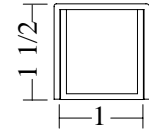
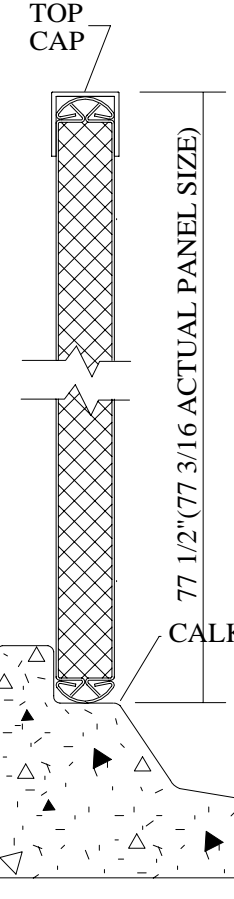


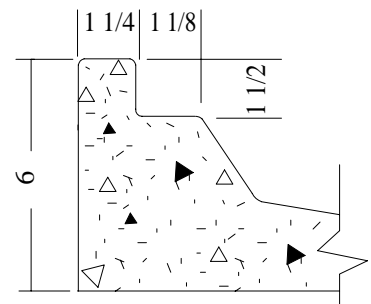
36"	3 25/32	25 15/16	3 25/32
32"	2 25/32	23 15/16	2 25/32



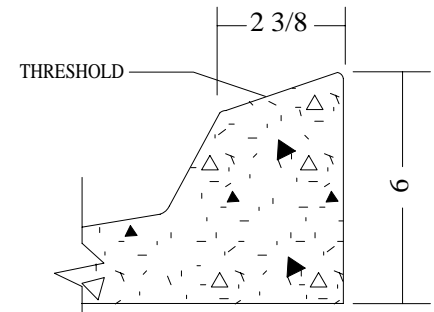
"U" CHANNEL FOR THRESHOLD OPENING



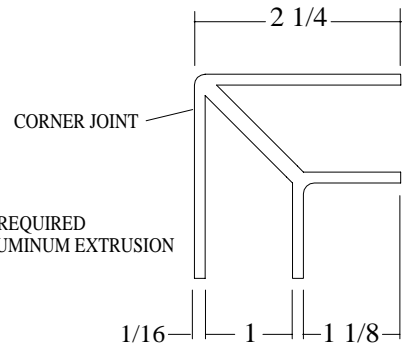
SECTION C-C



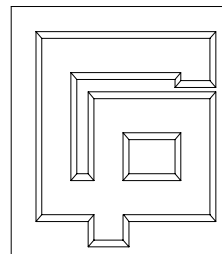
SECTION A-A



SECTION B-B



(4) REQUIRED ALUMINUM EXTRUSION



GENERAL PARTITIONS Mfg. Corp.

1702 Peninsula Drive, Erie PA
 P.O. Box 8370, Erie, PA 16505-0370
 Phone (814) 833-1154 FAX (814) 838-3473