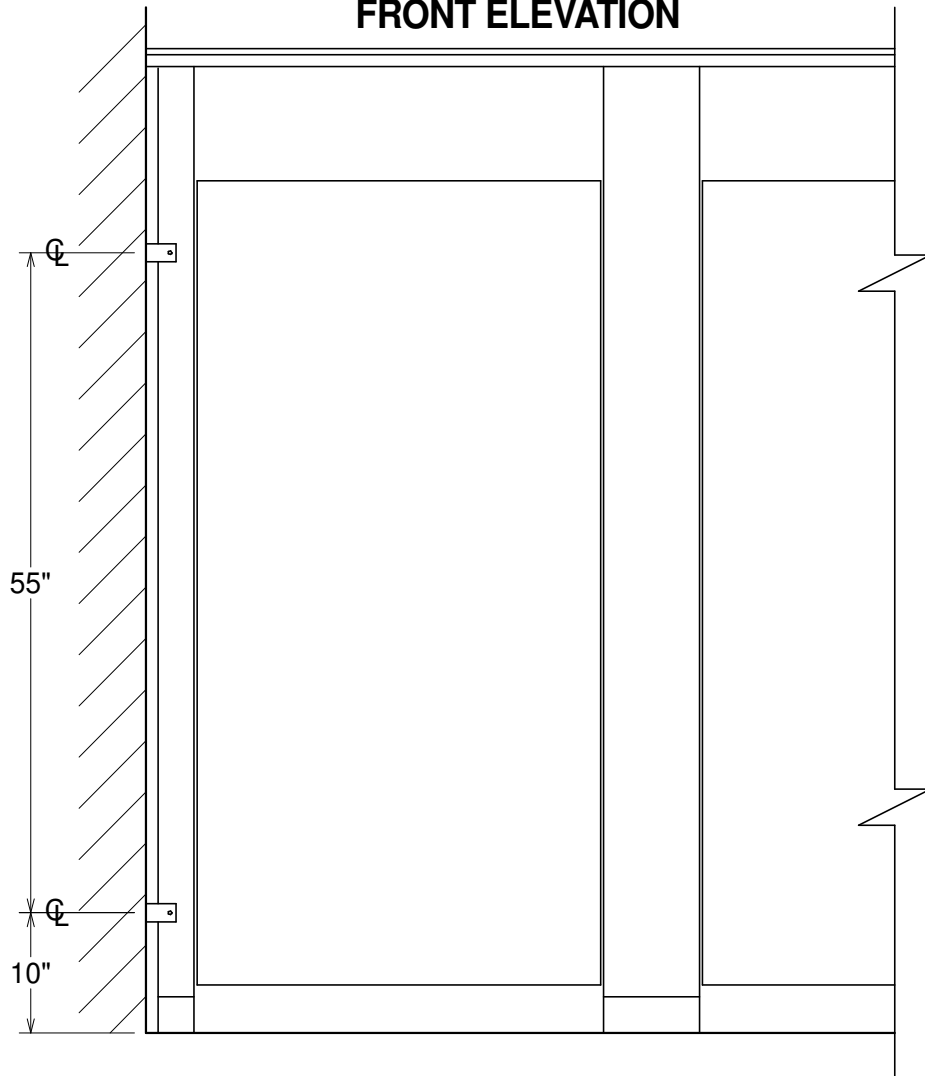
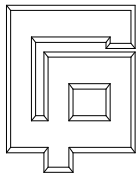
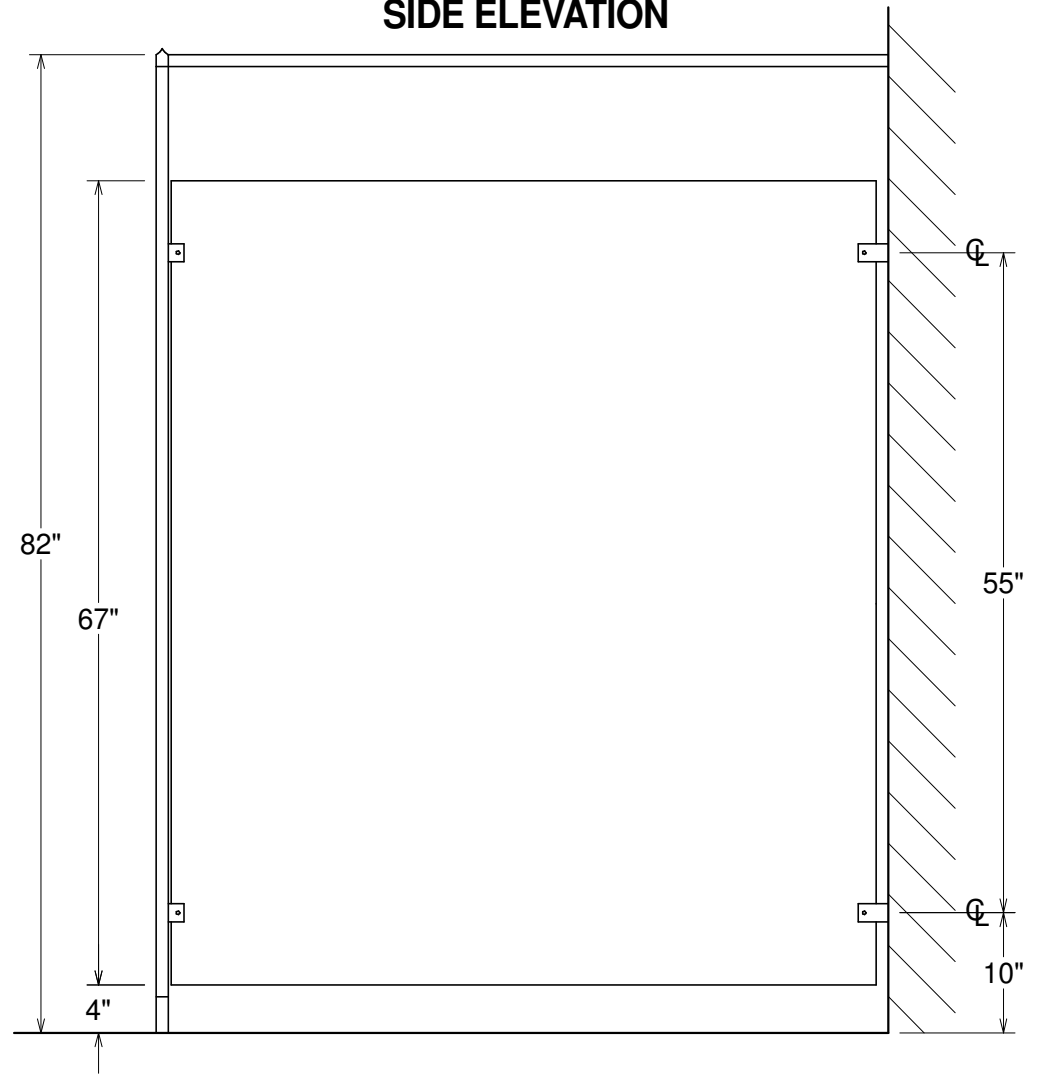


POWDER COATED STEEL (EASTERN)

FRONT ELEVATION



SIDE ELEVATION



GENERAL PARTITIONS Mfg. Corp.
1702 Peninsula Drive, Erie PA
P.O. Box 8370, Erie, PA 16505-0370
Phone (814) 833-1154 FAX (814) 838-3473

SERIES 40 - TYPICAL ELEVATION
BACKING POINTS FOR OTHER THAN MASONRY WALLS INDICATED
STANDARD HARDWARE - 67" HIGH DOORS & PANELS